

FFC FLAT CABLE A-TYPE

FFC SERIES

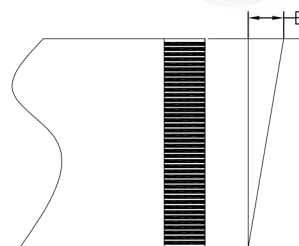
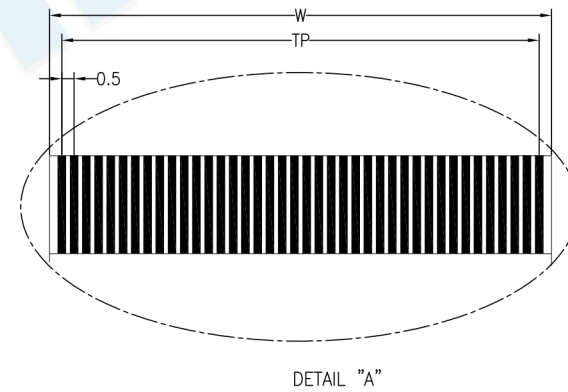
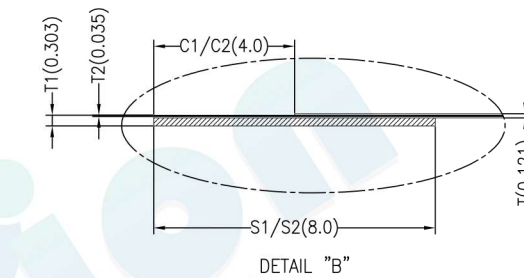
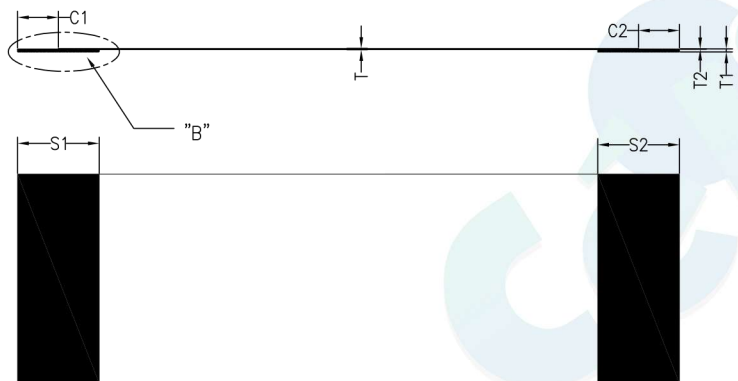
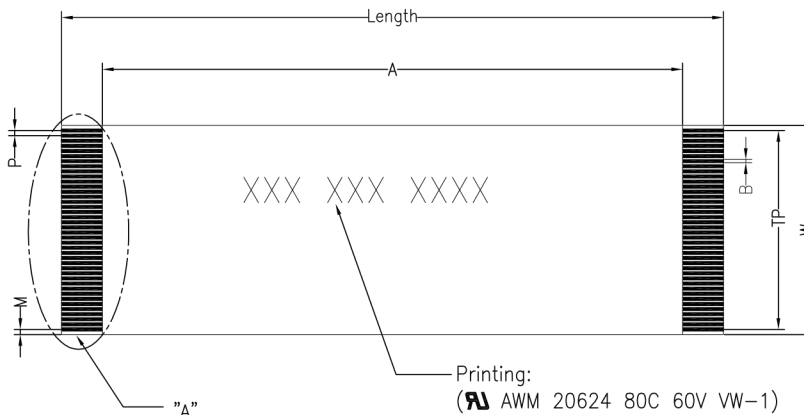


Symbol	Item	Specification
N	No. of Conductor	4P~80P
L	Total Length	L±5
A	Insulation Length	(L-8)±5
TP	Total Pitch	0.5x(N-1)Pin±0.08
W	Width	0.5xNpin+0.5±0.08
P	Pitch	0.50±0.03
M	Margin	0.50±0.05
T	Cable thickness	0.121±0.05
T1	Insert thickness	0.303±0.05
C1/C2	Conductor Strip Length	4.0±1.0
S1/S2	Supporting Tape Length	8.0±2.0
T2	Conductor thickness	0.035±0.005
B	Conductor Width	0.30±0.03
E	Slanting	<0.5
--	Conductor Material	Tinned Copper
--	Insulation Material	Flame retardand polyester
--	Supporting Tape Material	PET
--	Supporting Tape Color	BLUE
--	Supporting Tape Spec	0.225mm

Ordering Information

FFC - 05 XX - XXX A

- Connector Series
- Pitch
 - 05 = 0.5 pitch
- Number of pins (04→80P)
- Length (100=100mm)



REV		DATE	MODIFICATION DESCRIPTION	CHANGE	DIM	TOL	OPERATION	DRAW	BEN	12.04.18	SCALE	FIT	PART NO.		TITLE:		
A0		2012.04.18	NEW DRAWING		Angle	±3°	APPROVE				SHEET	1/1		FFC-05XX-XXX A		0.50 FFC Npin A-Type	
											UNIT	mm					
											SIZE	A4					
											PROJ.	◆					

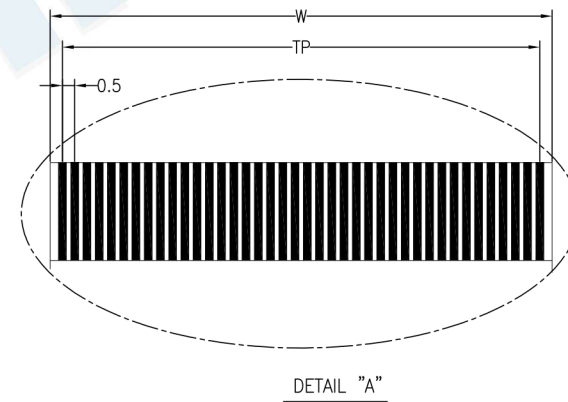
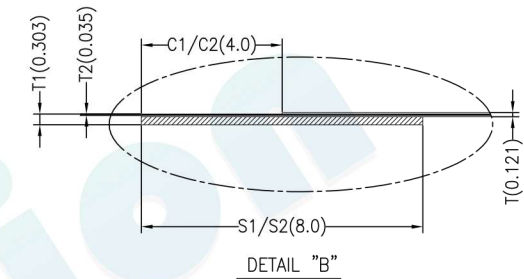
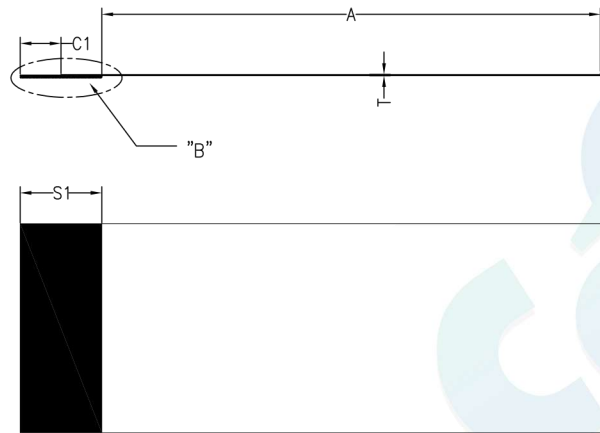
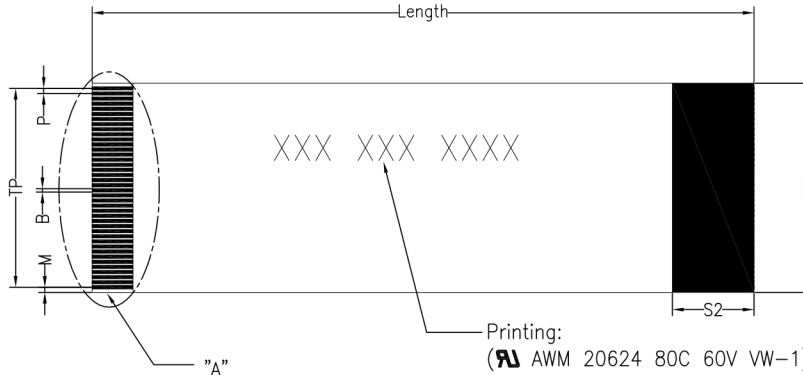


FFC FLAT CABLE B-TYPE

FFC SERIES



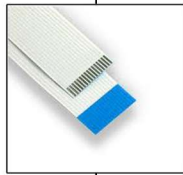
Symbol	Item	Specification
N	No. of Conductor	4P~80P
L	Total Length	L±5
A	Insulation Length	(L-8)±5
TP	Total Pitch	0.5x(N-1)Pin±0.08
W	Width	0.5xNpin+0.5±0.08
P	Pitch	0.50±0.03
M	Margin	0.50±0.05
T	Cable thickness	0.121±0.05
T1	Insert thickness	0.303±0.05
C1/C2	Conductor Strip Length	4.0±1.0
S1/S2	Supporting Tape Length	8.0±2.0
T2	Conductor thickness	0.035±0.005
B	Conductor Width	0.30±0.03
E	Slanting	<0.5
--	Conductor Material	Tinned Copper
--	Insulation Material	Flame retardand polyester
--	Supporting Tape Material	PET
--	Supporting Tape Color	BLUE
--	Supporting Tape Spec	0.225mm



Ordering Information

FFC - 05 XX - XXX B

1. Connector Series
2. Pitch
 - 05 = 0.5 pitch
3. Number of pins (04→80P)
4. Length (100=100mm)



REV		DATE	MODIFICATION DESCRIPTION	CHANGE	DIM	TOL	OPERATION	DRAW	BEN	12.04.18	SCALE	FIT	PART NO.		TITLE:	
A0		2012.04.18	NEW DRAWING		Angle	±3°	X.XX	CHECK			UNIT	mm	FFC-05XX-XXX B		0.50 FFC Npin B-Type	
							X.X				SIZE	A4				
							X.XX				SHEET	1/1				
							±0.30				PROJ.	◆				
							±0.20									
							±0.10									

