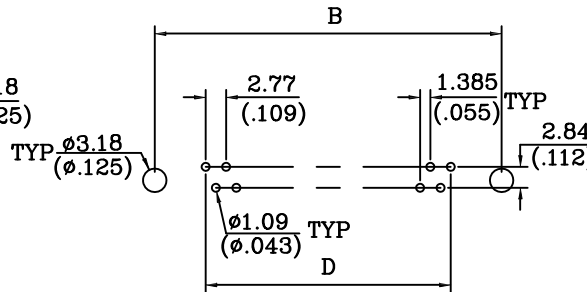
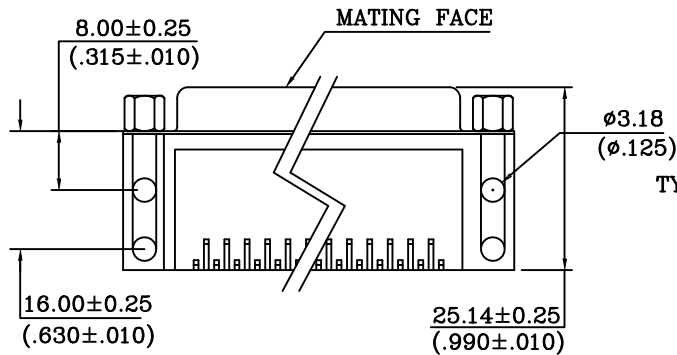
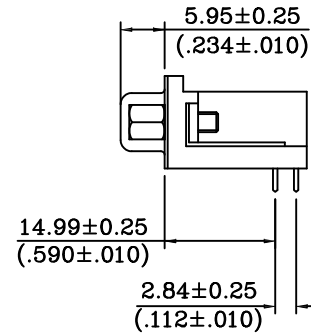
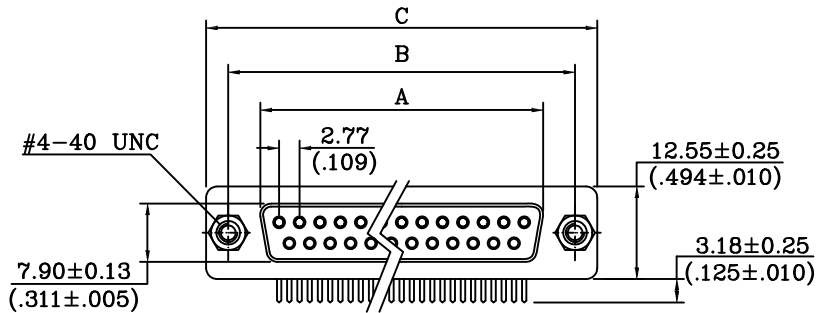


D-SUB PCB Female Dual Row Right Angle 14.99mm(stamped Pin)

ROHS COMPLIANT



P.C.B LAYOUT

Material (材料):

Housing (塑胶): Temperature Thermoplastics, PBT+G.F UL 94V-0
 Contact (端子): Brass or Bronze
 Shell (壳): 0.35T Steel Nickel Plating All Area

Electical Characteristics (电气性能):

Current Rating (额定电流): 5A
 Contact Resistance (接触阻抗): 30 milliohms Max
 Withstanding Voltage (耐电压): 1000V AC For 1 Minute
 Insulation Resistance (绝缘阻抗): 5000 Megohms Min
 Operating Temperature (温度范围): -55° C to +105° C

Ordering Code:

DR04 - F - X - A - A - B - S
 ① ② ③ ④ ⑤ ⑥ ⑦

- ① Dual Row Angle DIP
14.99 Footprint
- ② Contact Type:
M:Female
- ③ Contact NO. :
09=09pin 15=15pin
25=25pin 37=37pin

- ⑤ Accessories:
O: Non Accessories
A: Zinc alloy 4.8mm Nickel
A1:Zinc alloy 5.8mm Nickel
B: Iron 4.8mm Nickel
B1:Iron 5.8mm Nickel
C: Copper alloy 4.8mm Nickel
C1:Copper alloy 5.8mm Nickel
D: Copper screw 4.8mm Nickel
D1:Copper screw 5.8mm Nickel

- ④ Mounting Option:
A: Fork lock
B: Riveting
C: Riveting With screws
D: Rivet lock

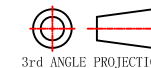
- ⑥ Color Code:
W:White L:Blue
B:Black G:Grey

- ⑦ Contact Plating
T: Tin plated S: Selective Gold
G0: Gold flash G1: 3u" Gold
G2: 5u" Gold G3: 10u" Gold
G4: 15u" Gold G5: 30u" Gold

No. of Contact	A ±0.25 ±.010	B ±0.13 ±.005	C ±0.38 ±.015	D
09	16.33 .643	24.99 .984	30.81 1.213	11.08 .436
15	24.66 .971	33.32 1.312	39.14 1.541	19.39 .763
25	38.38 1.511	47.04 1.852	53.04 2.088	33.24 1.310
37	54.84 2.159	63.50 2.500	69.32 2.729	49.86 1.963

Unless Otherwise specified tolerance X:±0.35 X.X:±0.25 X.XX:±0.20 X.XXX:±0.15		CELION SAS
SCALE: 1:1	UNIT: IN (mm)	
DRAWN: junfon H		TITLE: D-SUB PCB Female Dual Row Right Angle 14.99mm (stamped Pin)
CHECKED: YANG		DRAWING NO: DR04-FXXXXXXX
		PRODUCT NO: DR04-FXXXXXXX

REV	DESCRIPTION	DATE
	Add option of plating	12/5/12



3rd ANGLE PROJECTION