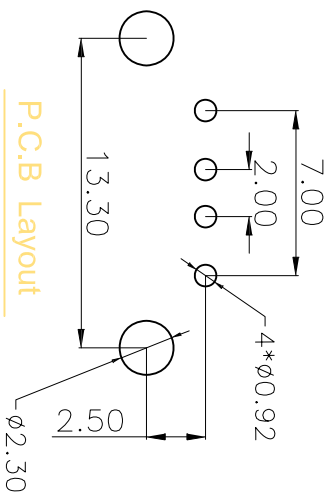


**Specification**

Electrical Characteristics:  
 Contact Current Rating: 1 Amperes.  
 Dielectric Withstanding Voltage: AC 500V R.M.S.  
 Insulation Resistance: 500MΩ Min.  
 Contact Resistance: 30mΩ Max.  
 Mechanical Characteristics:  
 Mating Force: 3.57kg Max.  
 Unmating Force: 0.7kg Min.  
 Material:  
 Housing: PBT  
 Contact: BRASS C2680 Plating Au1u  
 Shell: SPCC/BRASS. Plating Ni over all



No.	PART NAME	QTY	MATERIAL	REMARK
3	SHELL	1	SPCC/BRASS	NI PLATED
2	CONTI	4	COPPER ALLOY	G/F AU/TIN PLATED
1	HOUSING	1	(PBT)THERMOPLASTIC	(UL 94V-0) BLACK/WHITE

**CELION SAS**

DESCRIPTION USB2.0 A/T FEMALE 180度DIP 带弯脚 H=15.0

DRAWING NO B150325--001 PART NO. BUSFO4W2N1208

THIRD ANGLE PROJECTION	REVISION	A	UNIT	MM	DRAWN	ROGERLAN
	LINEAR	X: ±0.50	ANGLE	X: ±5°	SCALE	N/A
		XX ±0.38		XX ±2	CHECKED	
		XXX ±0.25		XXX ±1	SHEET	1/1
					APPROVED	