

PLCC SMT TYPE

7310 SERIES



Specifications

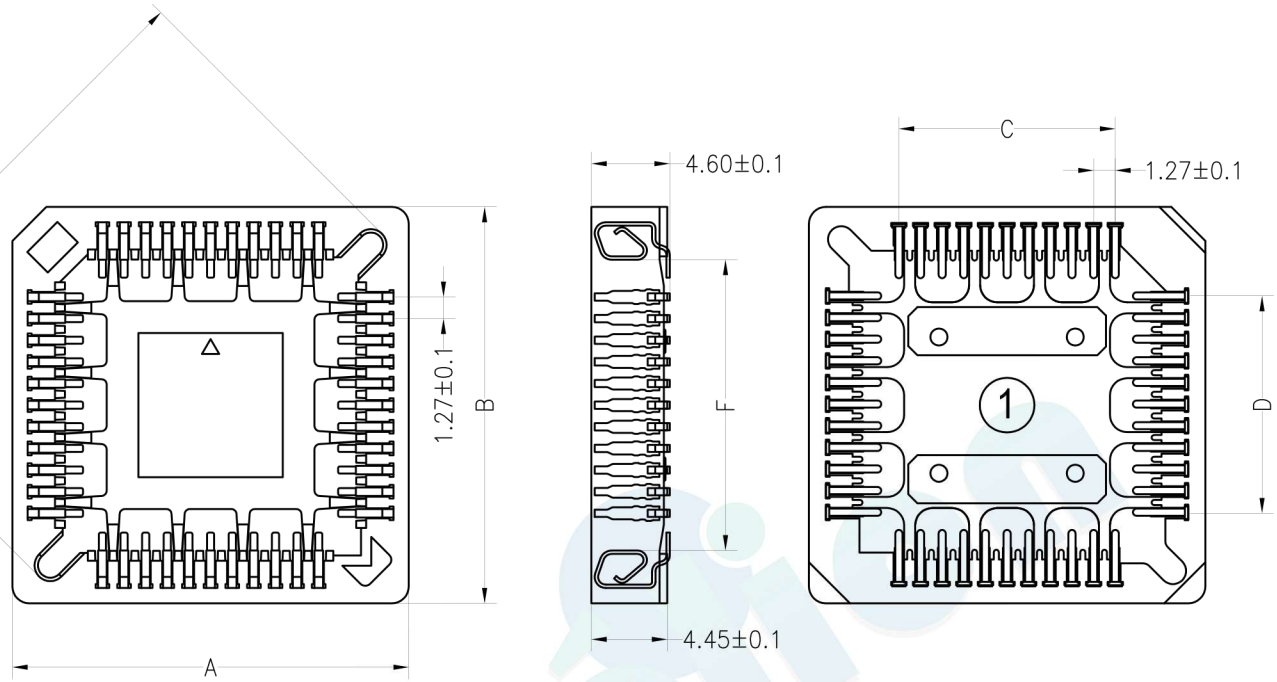
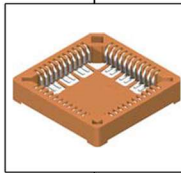
- Rated current: 3.0AMP
- Contact resistance: 20mΩ max
- Withstand Voltage: 1000V AC/DC
- Insulation resistance: 1000MΩ max
- Operation temperature: -40°C to +105°C
- Contact material: Phosphor Bronze
- Contact plating: Au Or Sn Over Ni
- Insulator material: Polyester (UL94V-0)
- Standard: PPS

Ordering Information

7310S - (XX) A B

1 2 3 4

- 1. Connector Series**
 - 2. Number of pins per row (20→84)**
 - 3. Contact Plating**
 - **A** = Gold Flash
 - **B** = 5U" Gold
 - **C** = 10U" Gold
 - **D** = 15U" Gold
 - **E** = 30U" Gold
 - **F** = Gold Flash/Tin
 - **G** = Tin
 - 4. Color type**
 - **A** = Brown
 - **B** = Black
- (1). Packaging
 Ø=Tray 1=Tube 2=Reel



规格名称	A±0.2	B±0.2	C±0.2	D±0.2	E±0.2	F±0.2
SMT-20P	15.65	15.65	5.08	5.08	17.28	9.36
SMT-28P	18.19	18.19	7.62	7.62	20.87	12.00
SMT-32P	18.15	20.65	7.62	10.16	22.50	14.40
SMT-44P	23.27	23.27	12.70	12.70	28.30	16.99
SMT-52P	25.81	25.81	15.24	15.24	31.65	19.54
SMT-68P	30.89	30.89	20.32	20.32	38.83	24.62
SMT-84P	35.97	35.97	25.40	25.40	46.00	29.70

REV	DATE	MODIFICATION DESCRIPTION	CHANGE	DIM	TOL	OPERATION	DRAW	BEN	12.04.18	SCALE	FIT
A0	2012.04.18	NEW DRAWING		Angle	±3°	X.XX	CHECK			UNIT	mm
						X.X				SIZE	A4
						X.XXX	APPROVE			SHEET	1/1
										PROJ.	◆



PART NO.	7310S - XXXX
TITLE:	PLCC SMT Socket