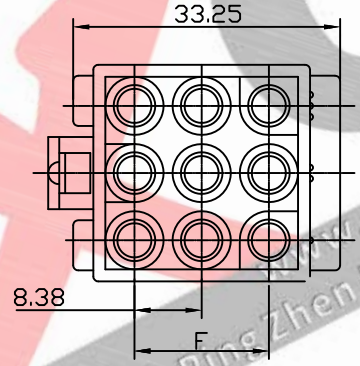
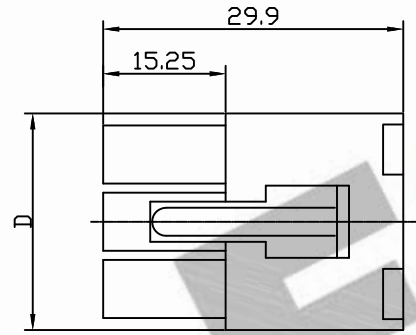
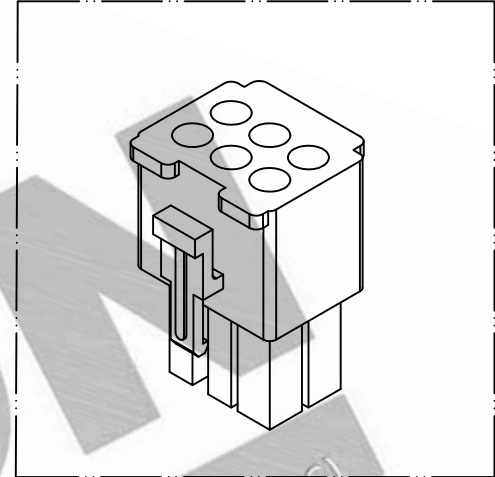
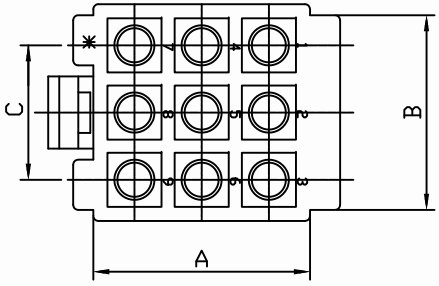


PART NO. 6606xxHM051
 DWG NO. C6606HM



Dimensional & Ordering Information:

Part No.	Circuits	Dim A	Dim B	Dim C	Dim D
660601HM051	1	8.20	6.00	/	8.50
660602HM051	2	14.90	12.70	6.70	8.50
660603HM051	3	21.60	19.40	13.40	8.50
660604HM051	4	28.30	21.60	20.10	8.50
660606HM051	6	21.60	19.40	13.40	15.20
660609HM051	9	21.60	19.40	13.40	21.90
660612HM051	12	21.60	21.60	20.10	21.90
660615HM051	15	21.60	21.60	26.80	21.90

1. Wafer Material: Nylon 66 UL94V-2
Pin/Pos Material: brass bronze.
2. Plated: Tin-plated 50u"min.
3. Insulation resistance: 1000M ohm/min.
4. Withstand voltage: 1500V AC/minute.
5. Current retang: 5A AC/DC.
6. Voltage rating: 250V AC/DC

				UNLESS OTHERWISE SPECIFIED TOLERANCES		EXCON
				3 PLACE ±0.5 ±0.10		
				2 PLACE ±1.5 ±0.25		<u>EXCON TECHNOLOGY COMPANY</u>
				1 PLACE ±2.0 ±0.50		
				ANGLE DIM		
REV.	REVISIONI			DIS	DATE	
SCALE	REV.	PAGE:	UNIT	mm		DWG NO:
2/1	A	1	THIRD ANGLE PROJECTION			C6606HM
					PART.NO	
					6606xxHM051	

