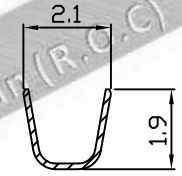
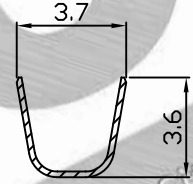
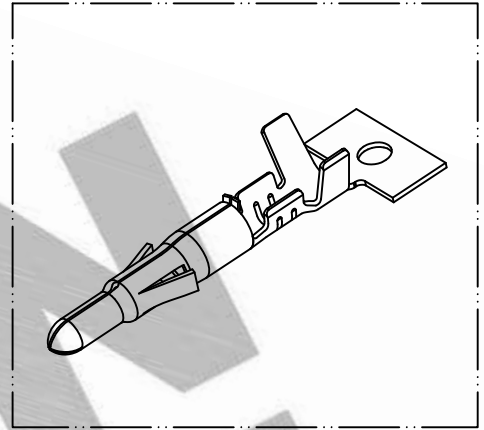
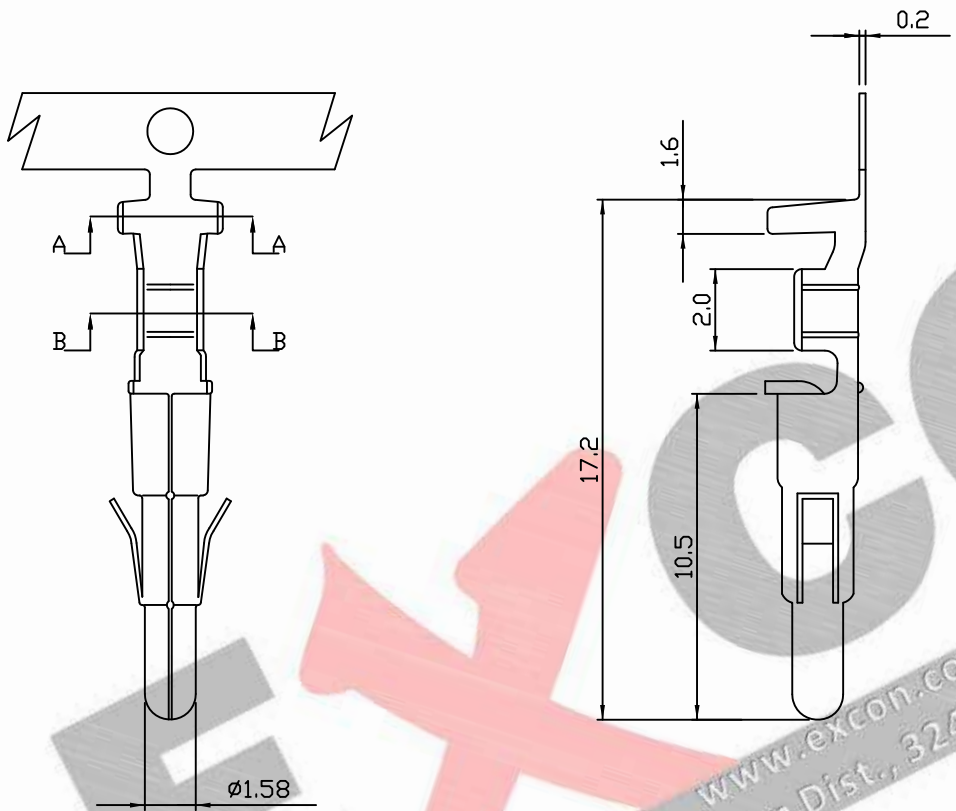


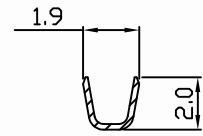
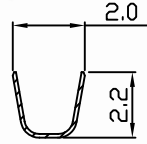
10 9 8 7 6 5 4 3 2 1

PART NO. 660200TAxxx
 DWG NO. C6602TA



SEC A-A

SEC A-A



SEC B-B

SEC B-B

660200TA051
 660200TA351

660200TP051
 660200TP351

NOTE 1 :

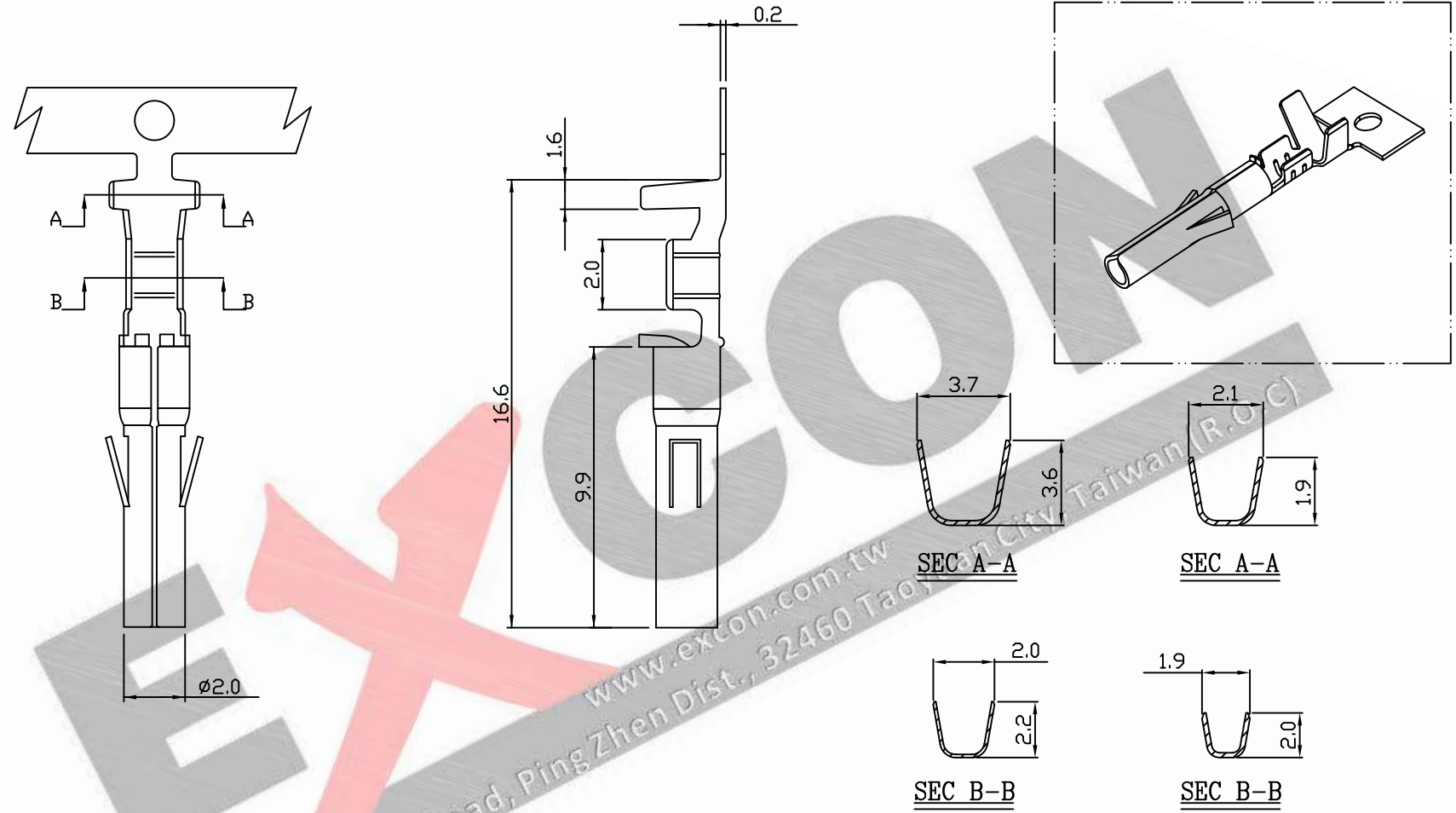
1. Terminal Material: Brass ,phospor bronze
2. Plated: Ni 25u"min Tin-plated 50u"min.
3. Applicable wires: #26~#20
4. Q'ty / reel: 7,000 pcs

				UNLESS OTHERWISE SPECIFIED TOLERANCES		EXCON EXCON TECHNOLOGY COMPANY
				3 PLACE ±0.5 ±0.10 2 PLACE ±1.5 ±0.25 1 PLACE ±2.0 ±0.50		
REV.	REVISIONI			DIS	DATE	ANGLE DIM
SCALE	REV.	PAGE:	UNIT	mm		
4/1	A	1	THIRD ANGLE PROJECTION			C6602TA
						PART.NO
						660200TAxxx

10 9 8 7 6 5 4 3 2 1

10 9 8 7 6 5 4 3 2 1

PART NO. 660200TBxxx
 DWG NO. C6602TB



660200TB051
 660200TB351

660200TM051
 660200TM351

NOTE:

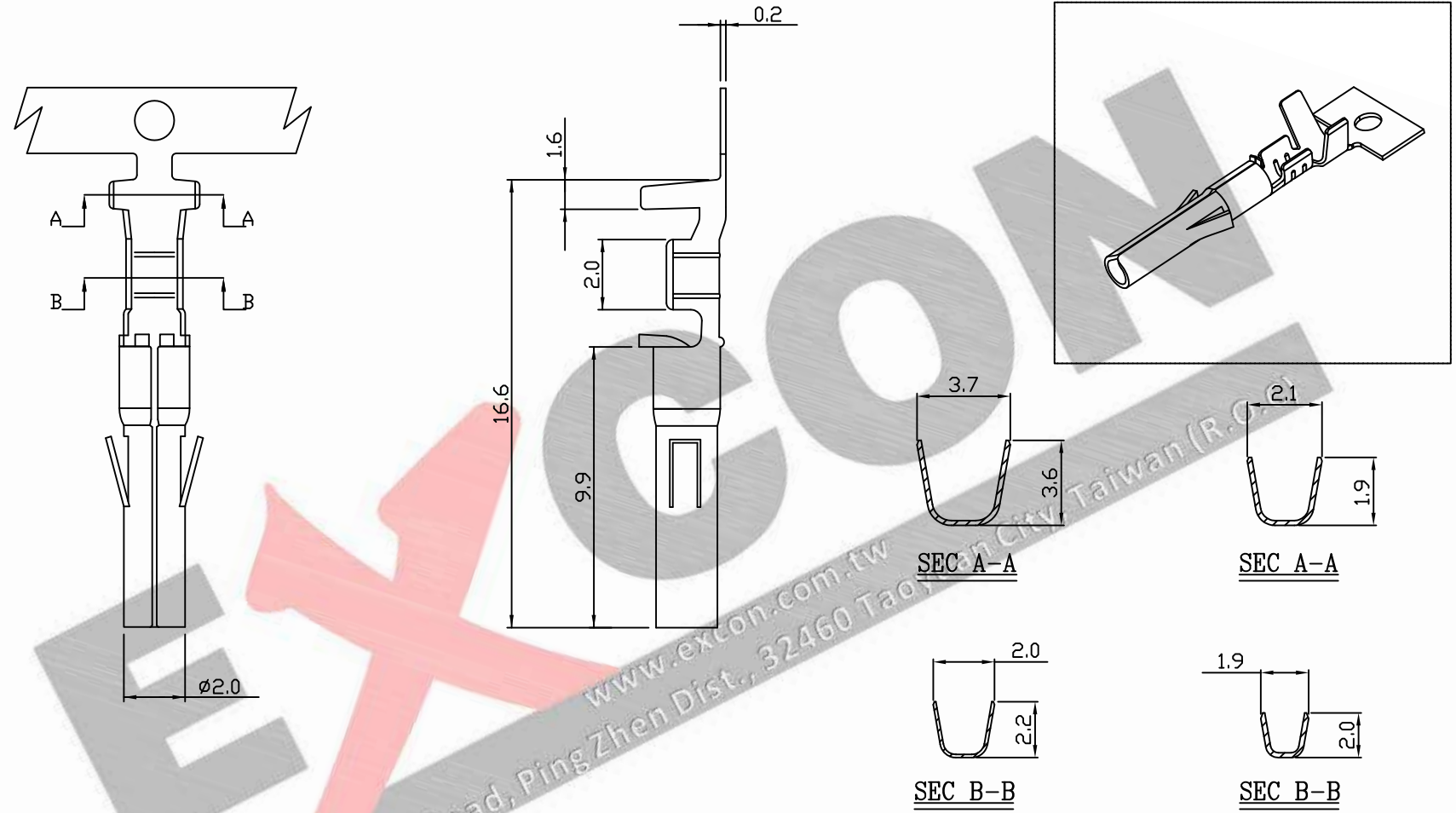
1. Terminal Material: Brass ,phosphor bronze
2. Plated: Ni 25u"min Tin-plated 50u"min.
3. Applicable wires: #26~#20
4. Q'ty / reel: 7,000 pcs

				UNLESS OTHERWISE SPECIFIED TOLERANCES		 EXCON TECHNOLOGY COMPANY
				3 PLACE ±0.5 ±0.10		
				2 PLACE ±1.5 ±0.25		
				1 PLACE ±2.0 ±0.50		
				ANGLE DIM		
REV.	REVISIONI			DIS	DATE	
SCALE	REV.	PAGE:	UNIT	mm		DWG NO:
4/1	A	1	THIRD ANGLE PROJECTION			C6602TB
					PART.NO	
					660200TBxxx	

10 9 8 7 6 5 4 3 2 1

10 9 8 7 6 5 4 3 2 1

PART NO. 660200TMxxx
 DWG NO. C6602TM



NOTE:

1. Terminal Material: Brass ,phosphor bronze
2. Plated: Ni 25u"min Tin-plated 50u"min.
3. Applicable wires: #26~#20
4. Q'ty / reel: 7,000 pcs

660200TB051
 660200TB351

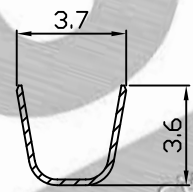
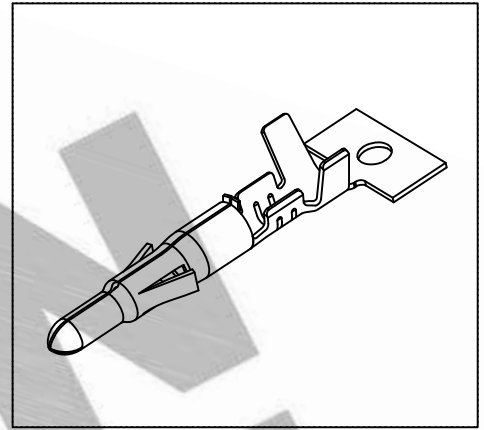
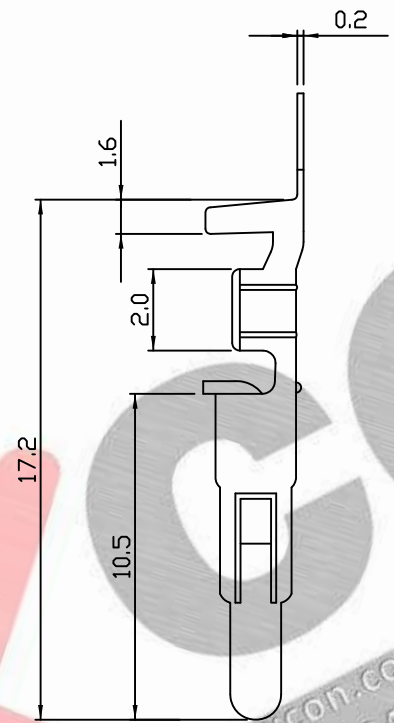
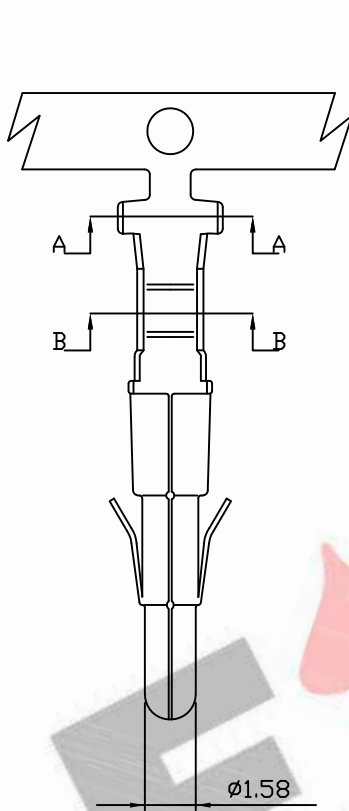
660200TM051
 660200TM351

					UNLESS OTHERWISE SPECIFIED TOLERANCES		EXCON EXCON TECHNOLOGY COMPANY
					3 PLACE ±0.5 ±0.10 2 PLACE ±1.5 ±0.35 1 PLACE ±2.0 ±0.50 ANGLE DIM		
REV.	REVISIONI			DIS	DATE		
SCALE	REV.	PAGE:	UNIT	mm		DWG NO:	PART.NO
4/1	A	1	THIRD ANGLE PROJECTION			C6602TM	660200TMxxx

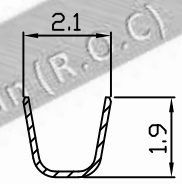
10 9 8 7 6 5 4 3 2 1

10 9 8 7 6 5 4 3 2 1

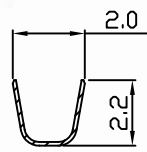
PART NO. 660200TPxxx
 DWG NO. C6602TP



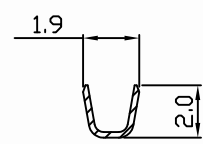
SEC A-A



SEC A-A



SEC B-B



SEC B-B

NOTE 1 :

1. Terminal Material: Brass ,phospor bronze
2. Plated: Ni 25u"min Tin-plated 50u"min.
3. Applicable wires: #26~#20
4. Q'ty / reel: 7,000 pcs

660200TA051
 660200TA351

660200TP051
 660200TP351

				UNLESS OTHERWISE SPECIFIED TOLERANCES	
				3 PLACE ±0.5 ±0.10	
				2 PLACE ±1.5 ±0.35	
				1 PLACE ±2.0 ±0.50	
				ANGLE DIM	
REV.	REVISIONI			DIS	DATE
SCALE	REV.	PAGE:	UNIT	mm	
4/1	A	1	THIRD ANGLE PROJECTION		
				DWG NO:	
				C6602TP	

EXCON

EXCON TECHNOLOGY COMPANY

PART.NO

660200TPxxx

10 9 8 7 6 5 4 3 2 1