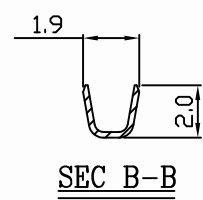
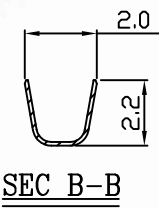
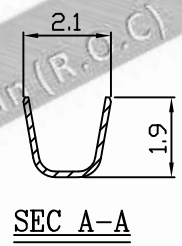
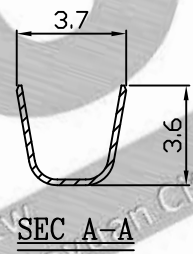
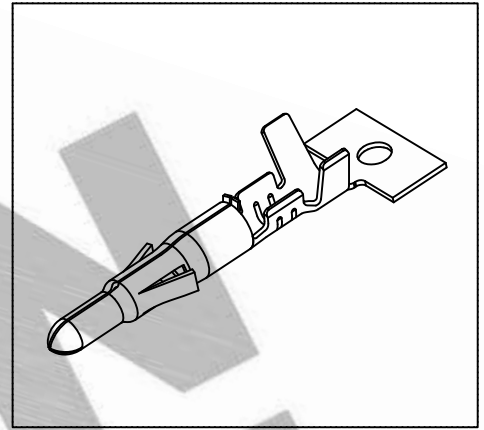
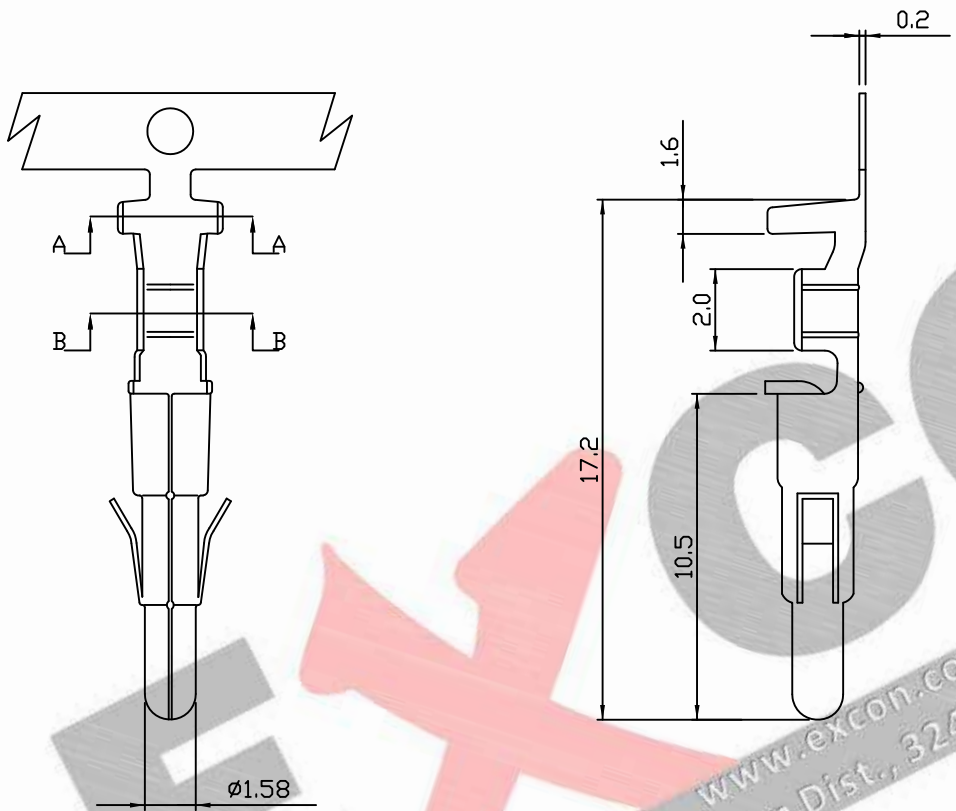


10 9 8 7 6 5 4 3 2 1

PART NO. 660100TAxxx  
 DWG NO. C6601TA



660100TA051  
 660100TA351

660100TP051  
 660100TP351

NOTE 1 :

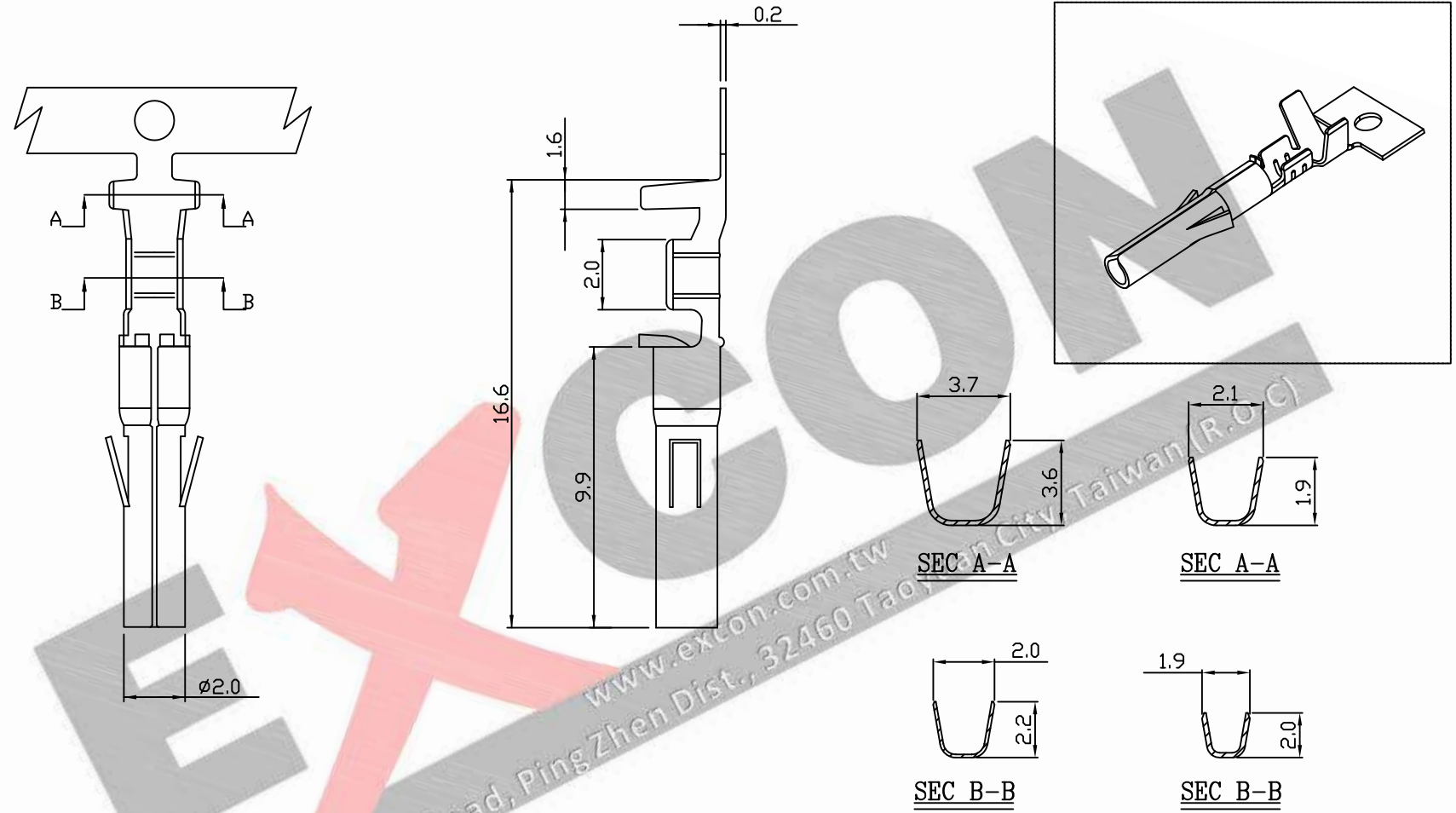
1. Terminal Material: Brass ,phospor bronze
2. Plated: Ni 25u"min Tin-plated 50u"min.
3. Applicable wires: #26~#20
4. Q'ty / reel: 7,000 pcs

				UNLESS OTHERWISE SPECIFIED TOLERANCES		 <b>EXCON</b> EXCON TECHNOLOGY COMPANY
				3 PLACE ±0.5 ±0.10		
				2 PLACE ±1.5 ±0.35		
				1 PLACE ±2.0 ±0.50		
				ANGLE DIM		
REV.	REVISIONI			DIS	DATE	
SCALE	REV.	PAGE:	UNIT	mm		DWG NO:
4/1	A	1	THIRD ANGLE PROJECTION			C6601TA
						PART.NO
						660100TAxxx

10 9 8 7 6 5 4 3 2 1

10 9 8 7 6 5 4 3 2 1

PART NO. 660100TBxxx  
 DWG NO. C6601TB



**NOTE:**

1. Terminal Material: Brass ,phosphor bronze
2. Plated: Ni 25u"min Tin-plated 50u"min.
3. Applicable wires: #26~#20
4. Q'ty / reel: 7,000 pcs

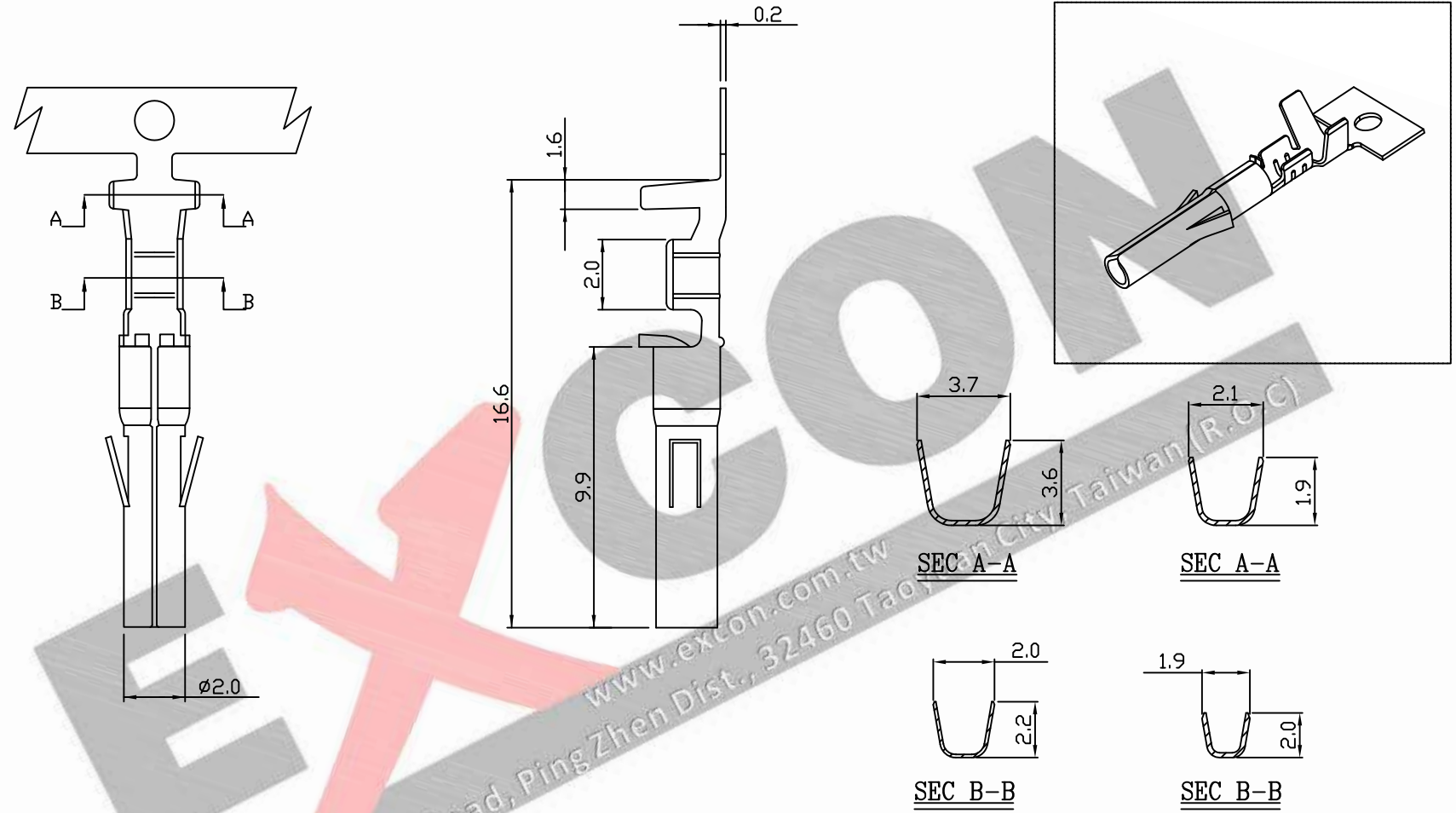
660100TB051 660100TM051  
 660100TB351 660100TM351

					UNLESS OTHERWISE SPECIFIED TOLERANCES		<b>EXCON</b> EXCON TECHNOLOGY COMPANY
					3 PLACE ±0.5 ±0.10 2 PLACE ±1.5 ±0.35 1 PLACE ±2.0 ±0.50		
REV.	REVISIONI			DIS	DATE	ANGLE DIM	
SCALE	REV.	PAGE:	UNIT	mm		DWG NO:	PART.NO
4/1	A	1	THIRD ANGLE PROJECTION			C6601TB	660100TBxxx

10 9 8 7 6 5 4 3 2 1

10 9 8 7 6 5 4 3 2 1

PART NO. 660100TMxxx  
 DWG NO. C6601TM



**NOTE:**

1. Terminal Material: Brass ,phospor bronze
2. Plated: Ni 25u"min Tin-plated 50u"min.
3. Applicable wires: #26~#20
4. Q'ty / reel: 7,000 pcs

660100TB051  
 660100TB351

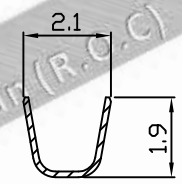
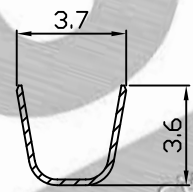
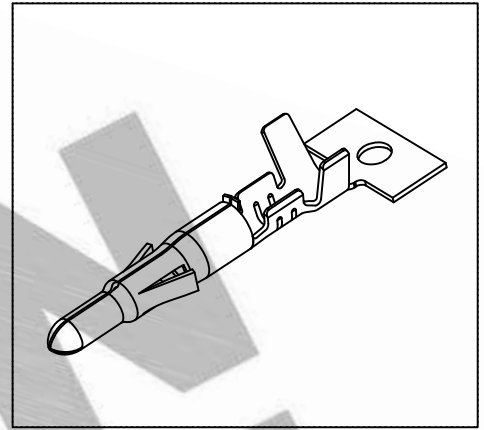
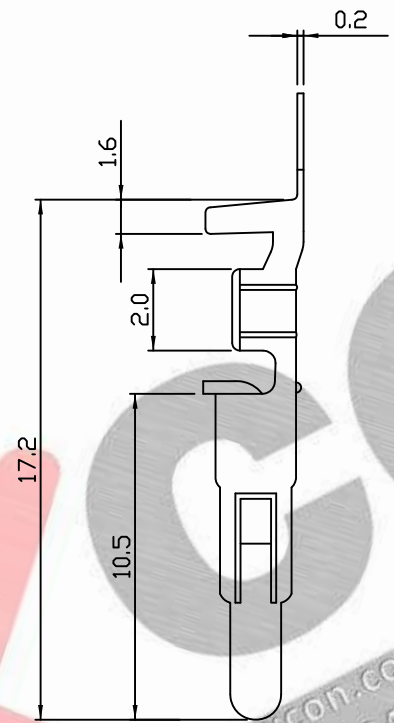
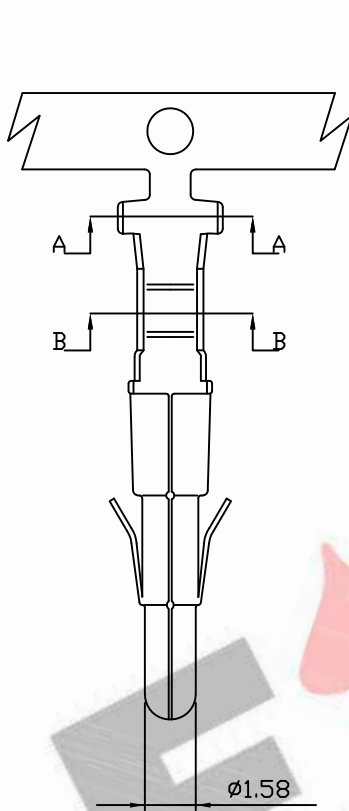
660100TM051  
 660100TM351

					UNLESS OTHERWISE SPECIFIED TOLERANCES		<b>EXCON</b> EXCON TECHNOLOGY COMPANY
					3 PLACE ±0.5 ±0.10 2 PLACE ±1.5 ±0.35 1 PLACE ±2.0 ±0.50		
REV.	REVISIONI			DIS	DATE	ANGLE DIM	
SCALE	REV.	PAGE:	UNIT	mm		DWG NO:	PART.NO
4/1	A	1	THIRD ANGLE PROJECTION			C6601TM	660100TMxxx

10 9 8 7 6 5 4 3 2 1

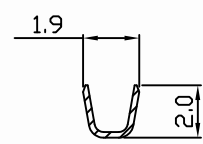
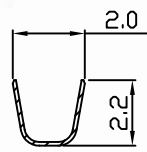
10 9 8 7 6 5 4 3 2 1

PART NO. 660100TPxxx  
 DWG NO. C6601TP



SEC A-A

SEC A-A



SEC B-B

SEC B-B

660100TA051  
 660100TA351

660100TP051  
 660100TP351

NOTE 1 :

1. Terminal Material: Brass ,phospor bronze
2. Plated: Ni 25u"min Tin-plated 50u"min.
3. Applicable wires: #26~#20
4. Q'ty / reel: 7,000 pcs

				UNLESS OTHERWISE SPECIFIED TOLERANCES		<b>EXCON</b> EXCON TECHNOLOGY COMPANY
				3 PLACE ±0.5 ±0.10 2 PLACE ±1.5 ±0.35 1 PLACE ±2.0 ±0.50		
REV.	REVISIONI			DIS	DATE	ANGLE DIM
SCALE	REV.	PAGE:	UNIT	mm		
4/1	A	1	THIRD ANGLE PROJECTION			C6601TP
						PART.NO
						660100TPxxx

10 9 8 7 6 5 4 3 2 1