

# RJ45 CONNECTOR DIP 8P

6234 SERIES



## Material

- Housing: Thermoplastics UL94V-0
- Contact: Copper Alloy
- Shell: Steel

## Electrical

- Voltage current rating: 1.5Amp 30V AC
- Insulation resistance: 1000 MΩ min
- Contact resistance: 30 mΩ max
- Dielectric Withstanding : 500V AC

## Environmental

- Temperature range: -55°C to +85°C

## Ordering Information

**6234DR8 - 08 X X**  
1 2 3

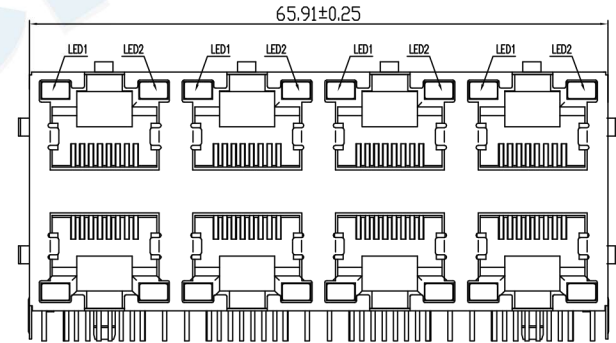
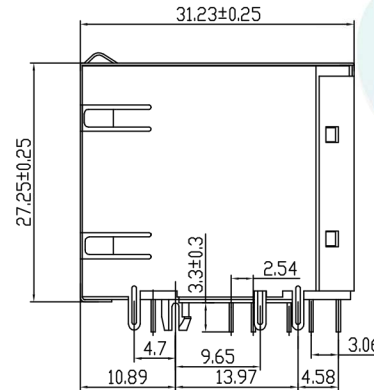
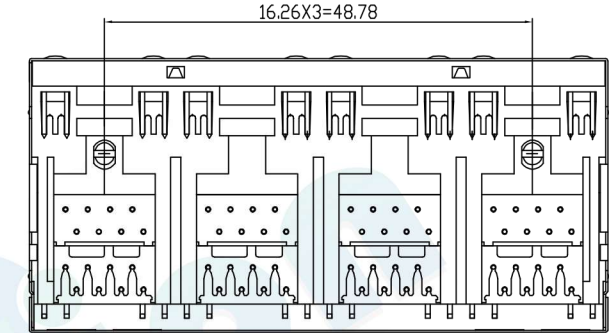
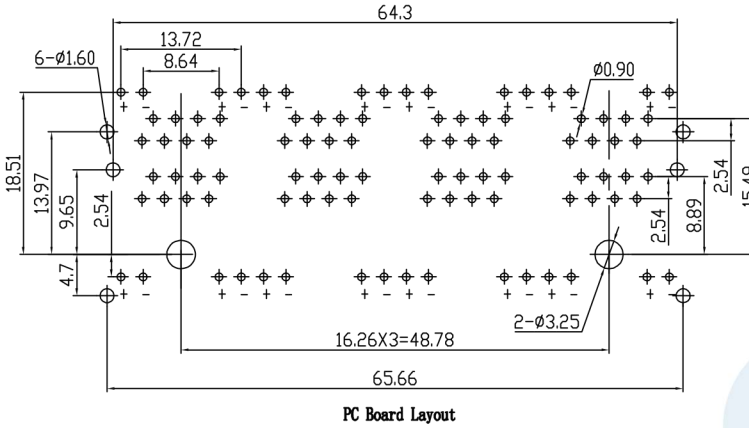
### 1. Connector Series


### 2. Contact Plating

- A = Gold Flash
- B = 3U" Gold
- C = 5U" Gold
- D = Gold/Tin
- E = 3U" Gold/Tin
- F = 5U" Gold/Tin

### 3. Insulation material option

- A = PBT
- B = PA66
- C = PA6T
- D = PA9T
- E = LCP



				OPERATION		DRAW	BEN	12.04.18	SCALE	FIT	 votre partenaire en électronique		
				X.X	±0.30				UNIT	mm			
				X.XX	±0.20	CHECK	SIZE	A4	PART NO.	6234DR8 - 08XX			
				X.XXX	±0.10	APPROVE	SHEET	1/1	TITLE:	RJ45 8P8C-2x4 connector 90° Dip			
REV	DATE	MODIFICATION DESCRIPTION	CHANGE	DIM	TOL			PROJ.	