

RJ45 + USB X2

6234 SERIES



Material

- Housing: Thermoplastics UL94V-0
- Contact: Copper Alloy
- Shell: Steel

Electrical

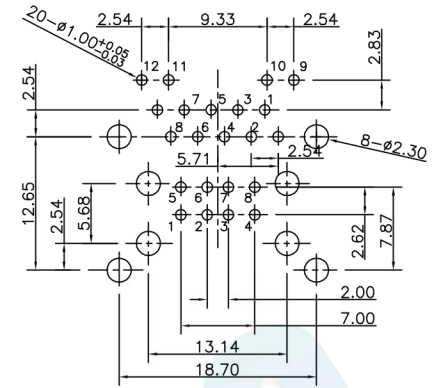
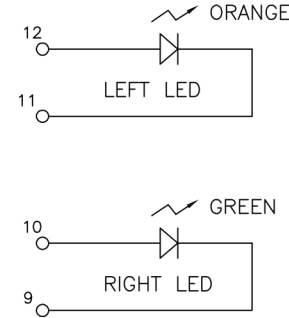
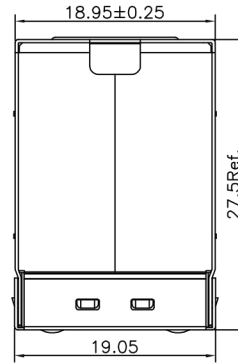
- Voltage current rating: 1.5Amp 30V AC
- Insulation resistance: 1000 MΩ min
- Contact resistance: 30 mΩ max
- Dielectric Withstanding : 500V AC

Environmental

- Temperature range: -55°C to +85°C

Finish

- Contact: Tin plating 100u" on solder tail
RJ45: Gold plating 1u" on contact area.
USB: Gold plating 1u" on contact area,
30u" min Ni underplating over all.



Ordering Information

6234DR2 - 08 X X 01

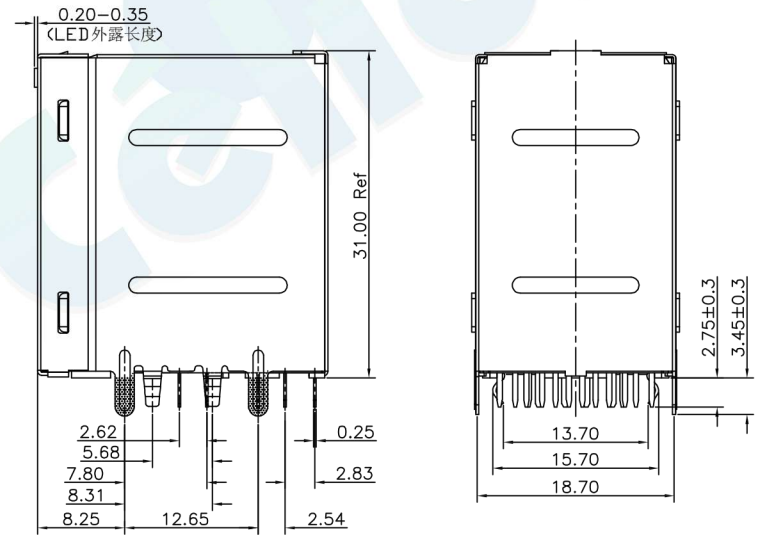
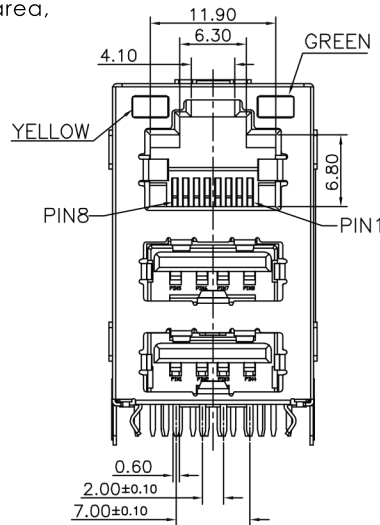
1. Connector Series

2. Contact Plating

- A = Gold Flash
- B = 3U" Gold
- C = 5U" Gold
- D = Gold Flash/Tin
- E = 3U" Gold/Tin
- F = 5U" Gold/Tin

3. Insulation material option

- A = PBT
- B = PA66
- C = PA6T
- D = PA9T
- E = LCP



				OPERATION		DRAW	BEN	12.04.18	SCALE	FIT	 votre partenaire en électronique	
				X.X	±0.30				UNIT	mm		
				X.XX	±0.20	CHECK			SIZE	A4	PART NO.	6234DR2 - 08XX 01
				X.XXX	±0.10				SHEET	1/1		
A0	2012.04.18	NEW DRAWING		Angle	±3°	APPROVE			TITLE:	RJ45 8P8C-2x4 connector 90° Dip		
REV	DATE	MODIFICATION DESCRIPTION		DIM	TOL				PROJ.			