

RJ45 CONNECTOR 8P

6234 SERIES



Electrical

- Voltage rating: 125 VAC RMS
- Current rating: 1.5 AMP
- Contact resistance: 30 milliohms max
- Insulation resistance: 500 megaohms min 500 VDC
- Dielectric strength: 1000V AC RMS 50Hz or 60Hz 1min

Mechanical

- Housing & insert material: PBT UL94V-0
- Contact material: Diameter 0.45mm phosphore bronze
Gold plating over nickel
- Shield: 0.20 ~ 0.25mm thickness brass with tin plated
- Mating/unmating force: 2.2kg F max
- Retention strength: 7.7kg F min between jack and plug
- Operating life: 600 cycles min

Environmental

- Storage: -10°C ~ +40°C relative humidity < 70%
- Operation: -40°C ~ +70°C

Ordering Information

6234DR1 - 08 X X 01

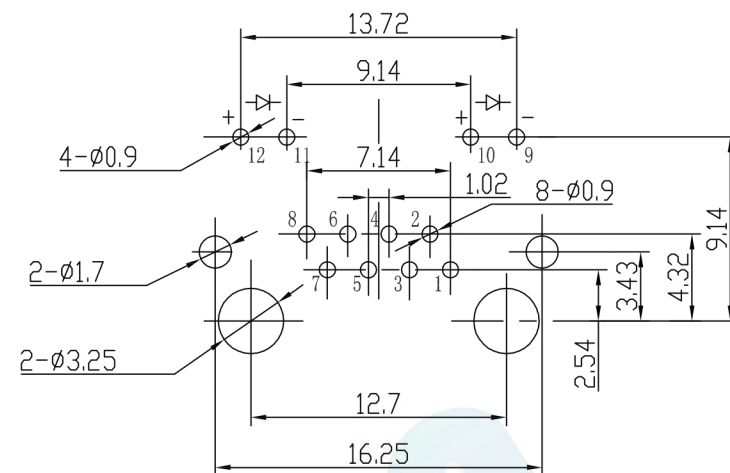
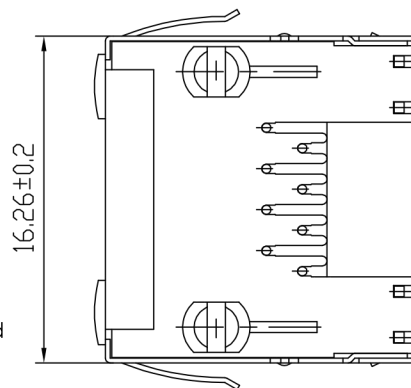
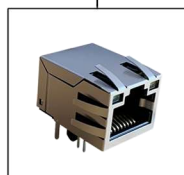
1. Connector Series

2. Contact Plating

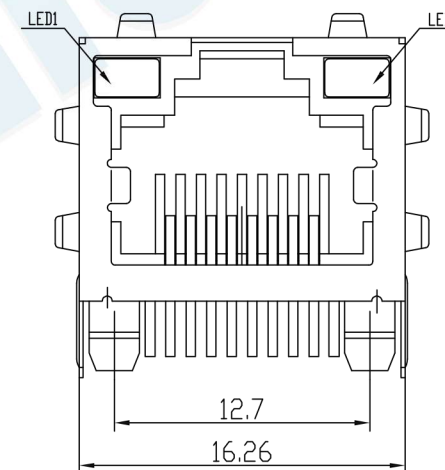
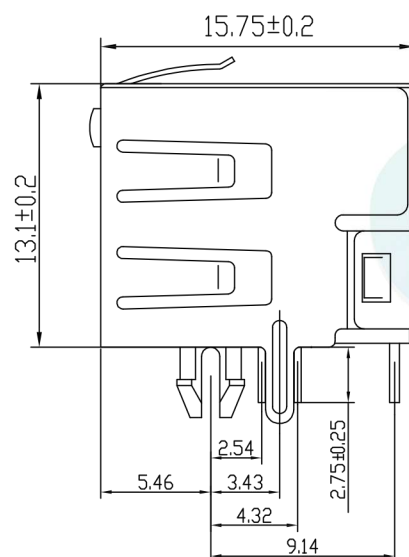
- A = Gold Flash
- B = 3U" Gold
- C = 5U" Gold
- D = Gold Flash/Tin
- E = 3U" Gold/Tin
- F = 5U" Gold/Tin

3. Insulation material option

- A = PBT
- B = PA66
- C = PA6T
- D = PA9T
- E = LCP



PC Board Layout



				OPERATION		DRAW	BEN	12.04.18	SCALE	FIT	 votre partenaire en électronique	
				X.X	±0.30				UNIT	mm		
				X.XX	±0.20	CHECK			SIZE	A4	PART NO.	6234DR1 - 08XX 01
				X.XXX	±0.10				SHEET	1/1		
A0	2012.04.18	NEW DRAWING		Angle	±3°	APPROVE			PROJ.	◆	TITLE:	RJ45 8P8C connector 90° Dip H15.75mm
REV	DATE	MODIFICATION DESCRIPTION	CHANGE	DIM	TOL							