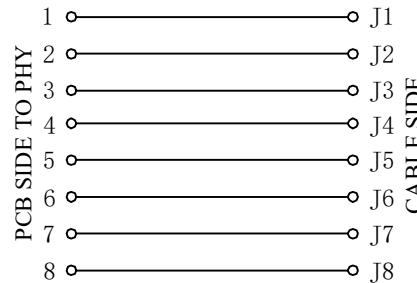
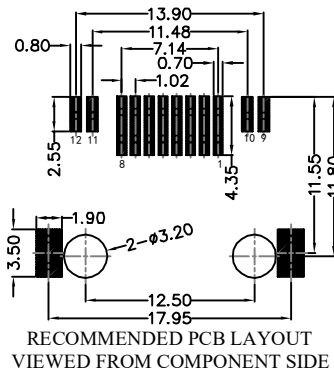
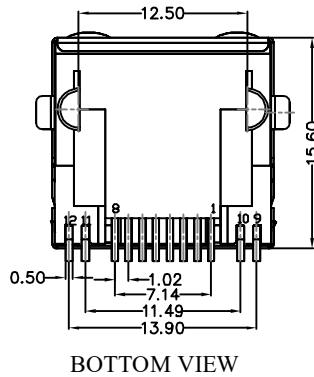
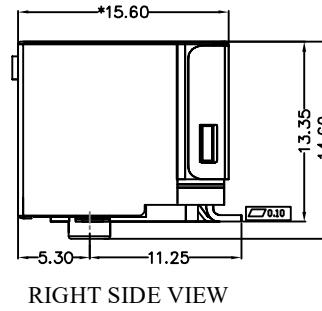
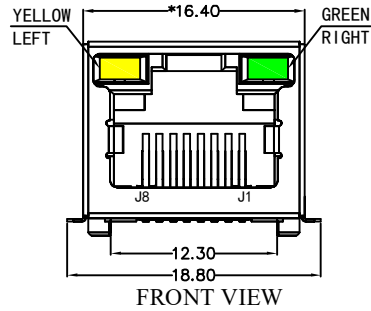


REACH & RoHS
COMPLIANT

REV.	ECN / DESCRIPTION	BY	DATE
A0	NEW	MQ.QU	2018.04.18



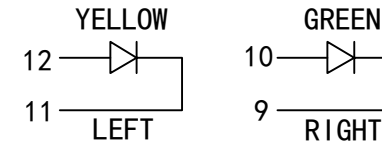
MATERIAL:
HOUSING: LCP,UL94V-0,BLACK.
TERMINAL: PHOSPHOR BRONZE T=0.30MM,
1U" GOLD PLATING ON CONTACT AREA.
SHIELD: C2680,T=0.20MM,20 MIN NICKEL PLATING
ON ALL AREA.

MACHANICAL:
DURABILITY: 750 CYCLES MIN,12.5MM/MINUTE.
INSERTION FORCE: 2.2KG.F MAX.
RETENTION STRENGTH : 7.7KG.F BETWEEN JACK AND PLUG.
OPERATING TEMPERATURE: -40°C~+85°C.
STORAGE TEMPERATURE: -40°C~+85°C.
ALL CRITICAL DIMENSIONS WITH "*"

ELECTRICAL:
VOLTAGE: 125 VOLTS AC.
CURRENT RATING : 1.5AMP.
DIELECTRIC STRENGTH: 1000 VAC RMS 50HZ OR 60HZ,1MIN.
INSULATION RESISTANCE: 500 MEGA OHMS MIN. INITIAL
AFTER 500V DC FOR 1 MINUTE.
CONTACT RESISTANCE: SINGLE TERMINAL 30 MILLIOHMS MAX.
INITIAL 50 MILLIOHMS MAX. AFTER
DURABILITY TEST.

LED Specification

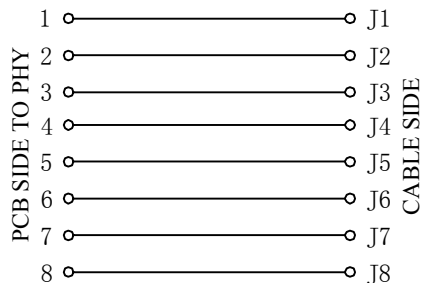
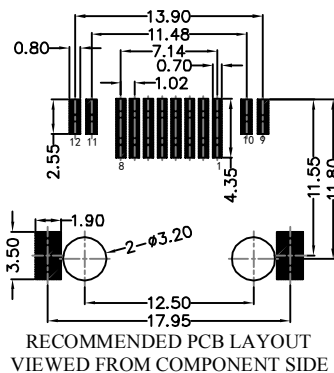
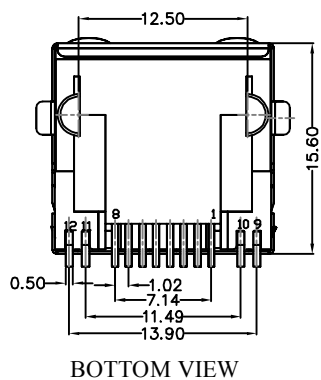
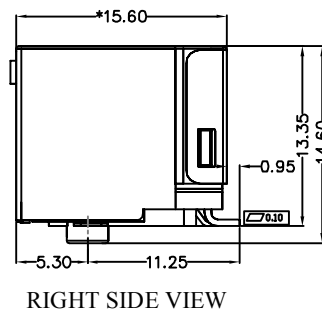
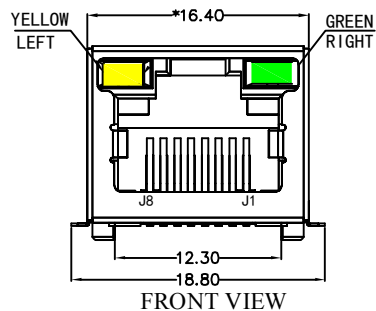
Standard LED Color	LED Wavelength	Foward(A)	Foward(V)
Green	568nm	20mA	1.8-2.8V
Yellow	585nm	20mA	1.8-2.8V



CELION SAS

TITLE: RJ45 SMT 56带屏蔽带灯	SIZE	UNITS	GENERAL TOLERANCES		APPROVED BY:
	A4	MM[INCH]	UNLESS SPECIFIED		JP.Gong
	PART NO.:	SACLE	REV	x±0.35	x°±3.0°
561188AB1A6SB1133	1:1	A0	.x±0.30	.x°±2.0°	TW.Xu
REMARK:	SHEET		.xx±0.25	.xx°±1.5°	DESIGND BY:
	1/1		.xxx±0.10	.xxx°±1.0°	MQ.Qu

RoHS



3			
2			
1			
NO.	DATE	DESCRIPTION	APPROVAL

MATERIAL:

HOUSING: LCP,UL94V-0,BLACK.
 TERMINAL: PHOSPHOR BRONZE T=0.30MM,
 G/FU" GOLD PLATING ON CONTACT AREA.
 SHIELD: C2680,T=0.20MM,20 MIN NICKEL PLATING
 ON ALL AREA.

MACHANICAL:

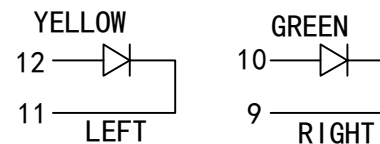
DURABILITY: 750 CYCLES MIN,12.5MM/MINUTE.
 INSERTION FORCE: 2.2KG.F MAX.
 RETENTION STRENGTH : 7.7KG.F BETWEEN JACK AND PLUG.
 OPERATING TEMPERATURE: -40°C~+85°C.
 STORAGE TEMPERATURE: -40°C~+85°C.
 ALL CRITICAL DIMENSIONS WITH "*"

ELECTRICAL:

VOLTAGE: 125 VOLTS AC.
 CURRENT RATING : 1.5AMP.
 DIELECTRIC STRENGTH: 1000 VAC RMS 50HZ OR 60HZ,1MIN.
 INSULATION RESISTANCE: 500 MEGA OHMS MIN. INITIAL
 AFTER 500V DC FOR 1 MINUTE.
 CONTACT RESISTANCE: SINGLE TERMINAL 30 MILLIOHMS MAX.
 INITIAL 50 MILLIOHMS MAX. AFTER
 DURABILITY TEST.

LED Specification

Standard LED Color	LED Wavelength	Foward(A)	Foward(V)
Green	568nm	20mA	1.85-2.45V
Yellow	585nm	20mA	1.7-2.2V



CELION SAS

GENERAL TOLERANCE	
X. ± 0.35	X° ± 3°
.X ± 0.3	.X° ± 2°
.XX ± 0.25	.XX° ± 1.5°
.XXX ± 0.1	.XXX ± 1°

SCALE	1=1
UNIT	MM
SIZE	A4

DRAWN	Mark.chen	DATE	
CHECK	Alex.zhang	DATE	
APPROVE	Andy.xie	DATE	

DESCRIPTION:
RJ45 SMT 56带屏蔽带灯
 PARTS NO. **RJ45-561188AB2A6SB1133**

REV.	A
SHEET	1/1