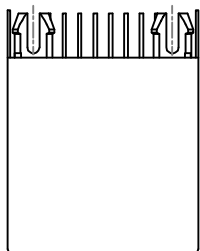
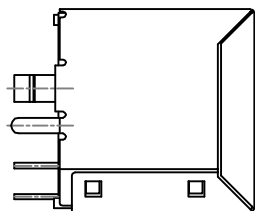


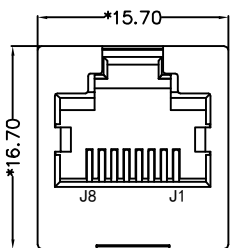
RoHS



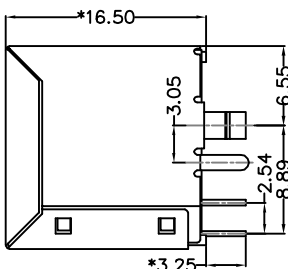
TOP VIEW



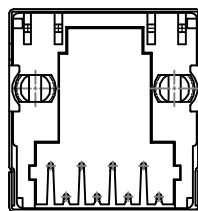
LEFT SIDE VIEW



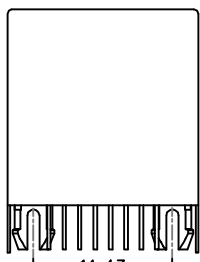
FRONT VIEW



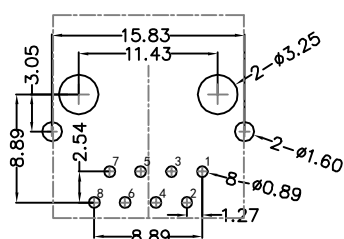
RIGHT SIDE VIEW



BACK VIEW



BOTTOM VIEW



RECOMMENDED PCB LAYOUT VIEWED FROM COMPONENT SIDE

**MATERIAL:**

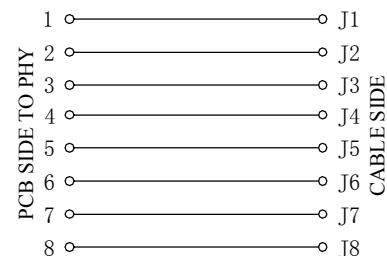
HOUSING: PBT,UL94V-0,BLACK.  
 TERMINAL: PHOSPHOR BRONZE Ø=0.46MM, 0.6U" GOLD PLATING.  
 SHIELD: C2680,T=0.20MM,20U" MIN NICKEL PLATING ON ALL AREA.

**MACHANICAL:**

DURABILITY: 750 CYCLES MIN,12.5MM/MINUTE.  
 INSERTION FORCE : 2.2KG.F MAX.  
 RETENTION STRENGTH : 7.7KG.F BETWEEN JACK AND PLUG .  
 OPERATING TEMPERATURE: -40℃~+85℃.  
 STORAGE TEMPERATURE: -40℃~+85℃.  
 ALL CRITICAL DIMENSIONS WITH "M"

**ELECTRICAL:**

VOLTAGE: 125 VOLTS AC.  
 CURRENT RATING : 1.5AMP.  
 DIELECTRIC STRENGTH : 1000 VAC RMS 50HZ OR 60HZ,1 MIN.  
 INSULATION RESISTANCE: 500 MEGA OHMS MIN. INITIAL  
 AFTER 500V DC FOR 1 MINUTE.  
 CONTACT RESISTANCE: SINGLE TERMINAL 30 MILLIOHMS MAX.  
 INITIAL 50 MILLIOHMS MAX. AFTER DURABILITY TEST.



CELION SAS

GENERAL TOLERANCE	
X. ± 0.35	X.* ± 2"
.X ± 0.30	.X* ± 1"
.XX ± 0.25	
.XXX ± 0.10	

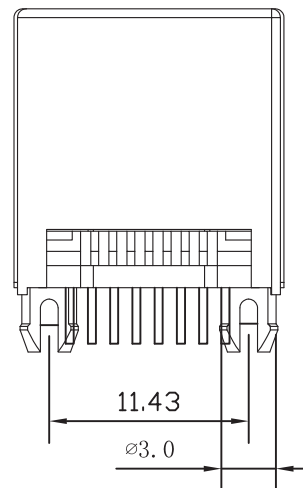
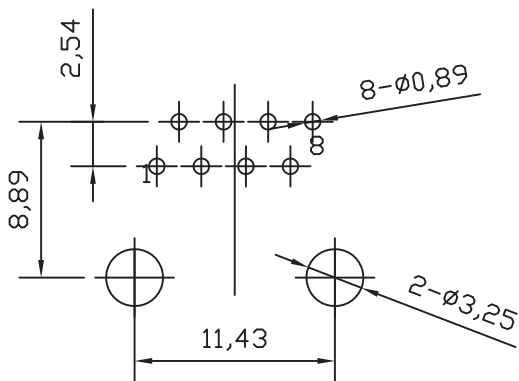
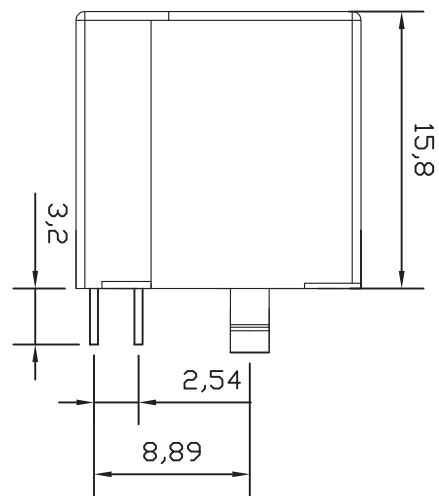
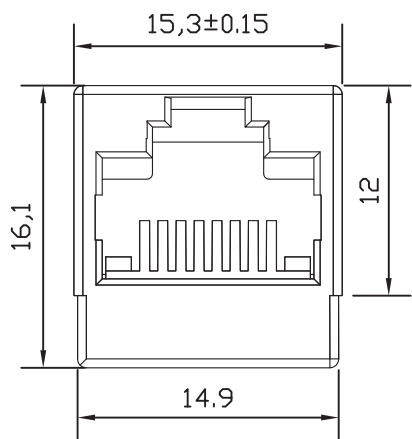
SCALE	1=1
UNIT	MM
SIZE	A4

DRAWN	Mark.chen
CHECK	Alex.zhang
APPROVE	Andy.xie

DATE	
DATE	
DATE	

DESCRIPTION:	180° TAB-UP
PARTS NO.	52241188GWA1D8Y1022

REV.	A
SHEET	1/1

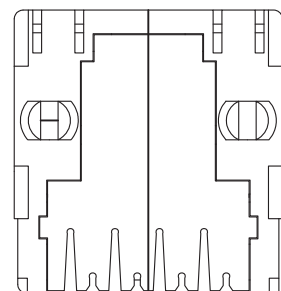
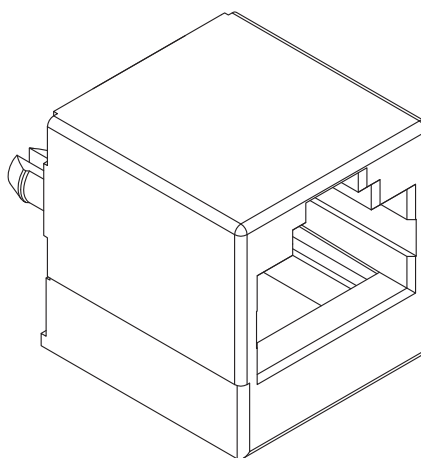


机构特性:

1. 塑壳材质: PBT, PA46、PA66黑色
2. 圆针材质: 磷青铜,  $\phi$  0.46mm
3. 圆针电镀: 镍底, 表面全部镀金
4. 外壳材质: 黄铜, 厚度0.2, 镀镍
5. 可靠性: 最少750次插拔
6. 插入力: 30N
7. 相对湿度: <80%

Electrical

Current rating: 1.5 AMPS  
 Voltage rating: 125V AC  
 Insulation resistance:  $\geq 500m\Omega$   
 Withstanding voltage: AC 1000V MS  
 50HZ 或 60Hz Min  
 Contact rating:  $\leq 30 m\Omega$   
 Working temperature:  $-40^{\circ}C \sim +70^{\circ}C$



CELION SAS	UNIT :mm	Approved By: JP. Gong	
	.0±0.25 .00±0.20 .000±0.10	Part No:RJ45-5224WNL	REV. B
Drafted by:JG. CHEN	1X1 Tab-UP RJ45	SHEET 1 OF 1	