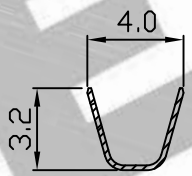
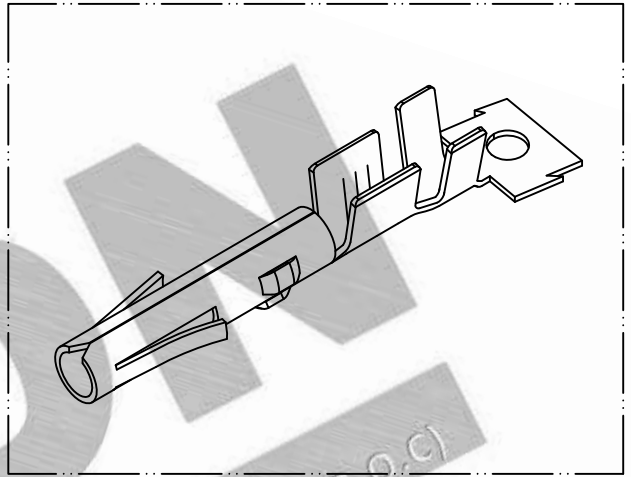
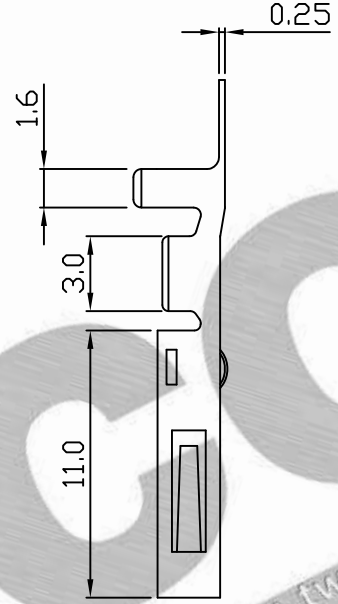
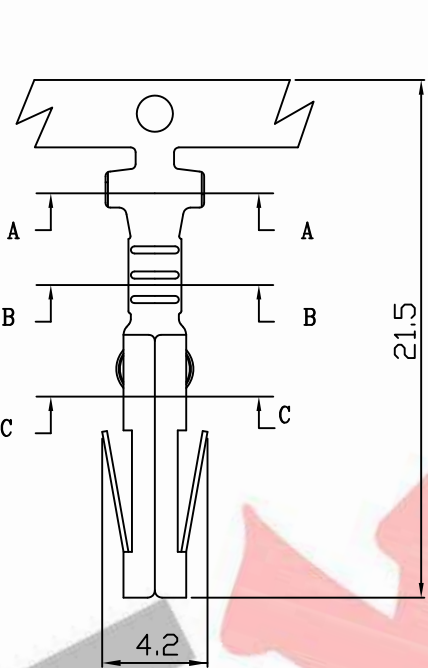
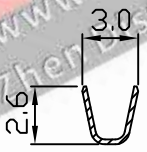


10 9 8 7 6 5 4 3 2 1

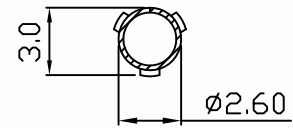
PART NO. 508100TC051
 DWG NO. C5081TC



SEC A-A



SEC A-A



SEC A-A

NOTE:

1. Terminal Material: Brass bronze
2. Plated: Tin-plated 50u"min.
3. Applicable wires: AWG#18-#24
4. Insulation O.D.: 1.3-2.5mm
5. Q'ty/reel: 7,000pcs

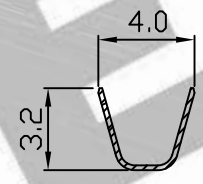
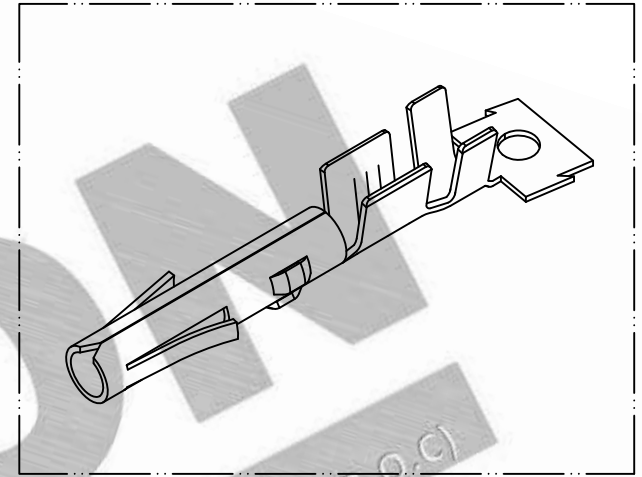
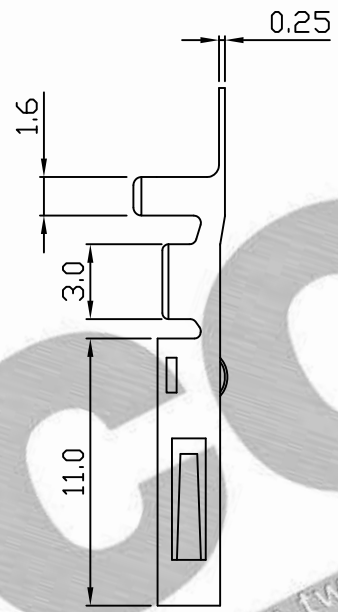
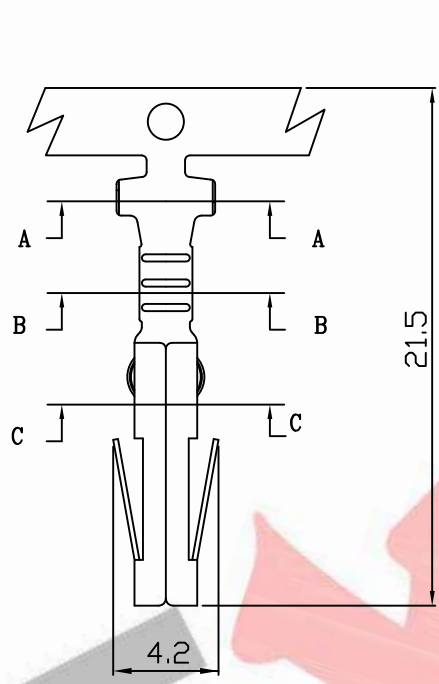
				UNLESS OTHERWISE SPECIFIED TOLERANCES		 EXCON TECHNOLOGY COMPANY
				3 PLACE ±0.5 ±0.10		
				2 PLACE ±1.5 ±0.25		
				1 PLACE ±2.0 ±0.50		
REV.	REVISION			DIS	DATE	ANGLE DIM
SCALE	REV.	PAGE:	UNIT	mm		DWG NO:
4/1	A	1	THIRD ANGLE PROJECTION			C5081TC

PART.NO	
508100TC051	

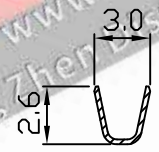
10 9 8 7 6 5 4 3 2 1

10 9 8 7 6 5 4 3 2 1

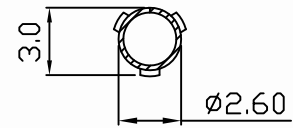
PART NO. 508100TC351
 DWG NO. C5081TC



SEC A-A



SEC A-A



SEC A-A

NOTE:

1. Terminal Material: Phosphor
2. Plated: Tin-plated 50u"min.
3. Applicable wires: AWG#18-#24
4. Insulation O.D.: 1.3-2.5mm
5. Q'ty/reel: 7,000pcs

UNLESS OTHERWISE SPECIFIED TOLERANCES
 3 PLACE ±0.5 ±0.10
 2 PLACE ±1.5 ±0.25
 1 PLACE ±2.0 ±0.50
 ANGLE DIM



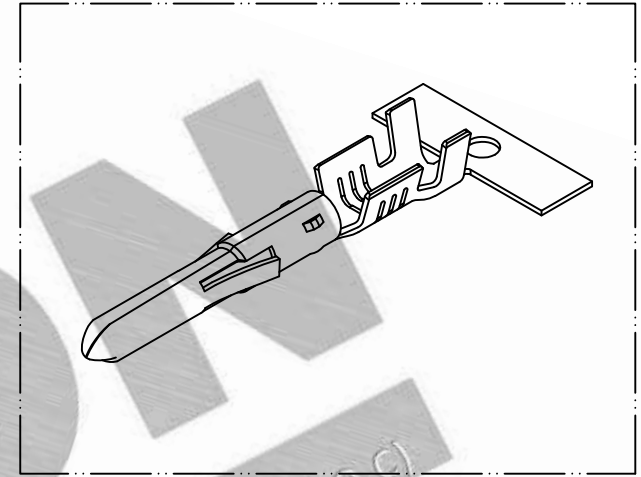
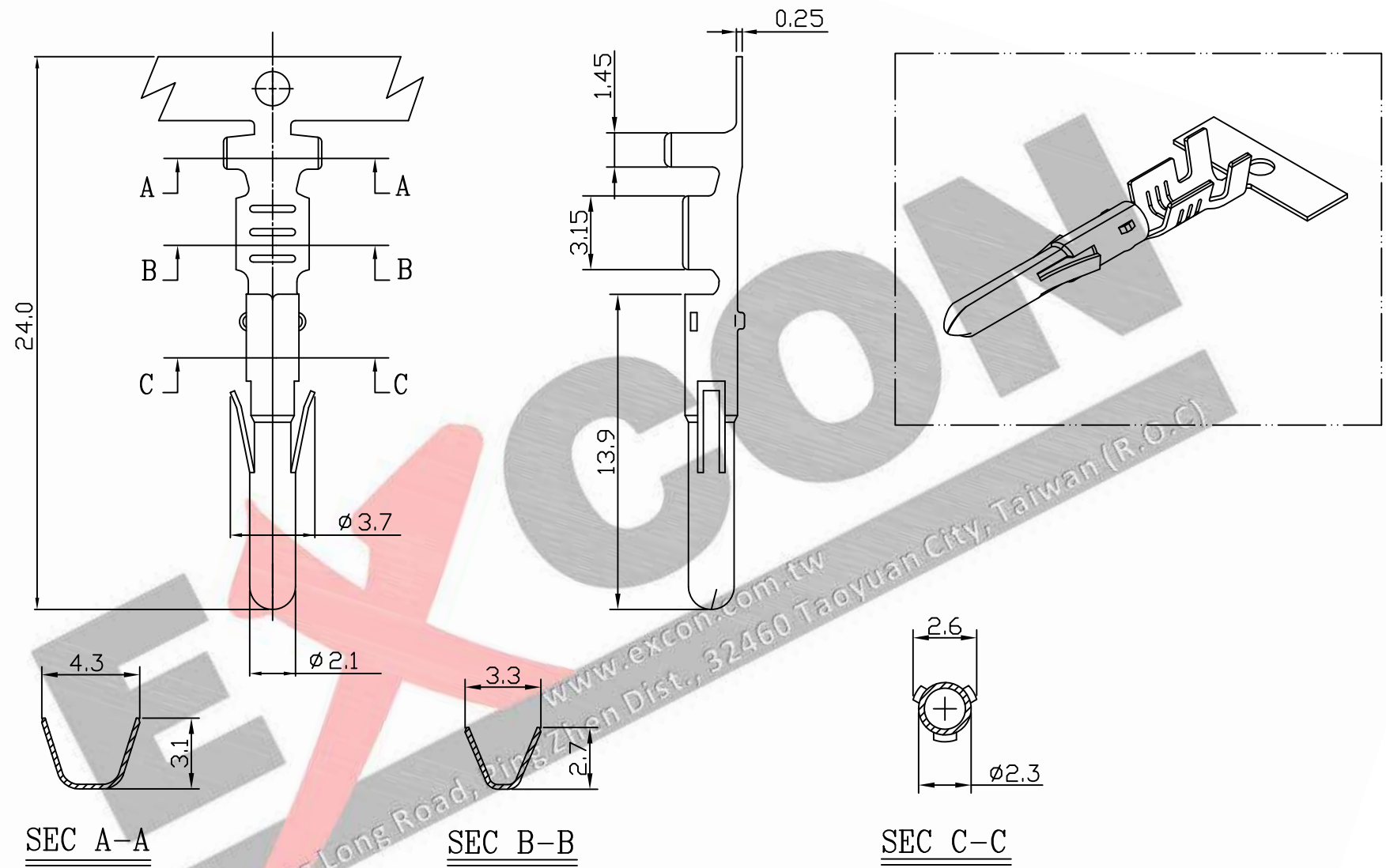
REV.	REVISION		DIS	DATE	DWG NO:	PART.NO
4/1	A	1			C5081TC	508100TC351

SCALE: REV. PAGE: UNIT mm
 THIRD ANGLE PROJECTION

www.excon.com.tw
 89, Xing Long Road, Ping Zhen Dist., 32460 Taoyuan City, Taiwan (R.O.C)

10 9 8 7 6 5 4 3 2 1

PART NO. 508200TC051
 DWG NO. C5082TC



SEC A-A

SEC B-B

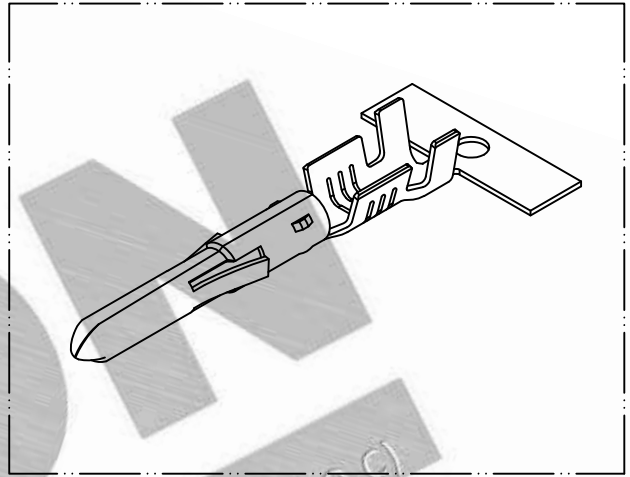
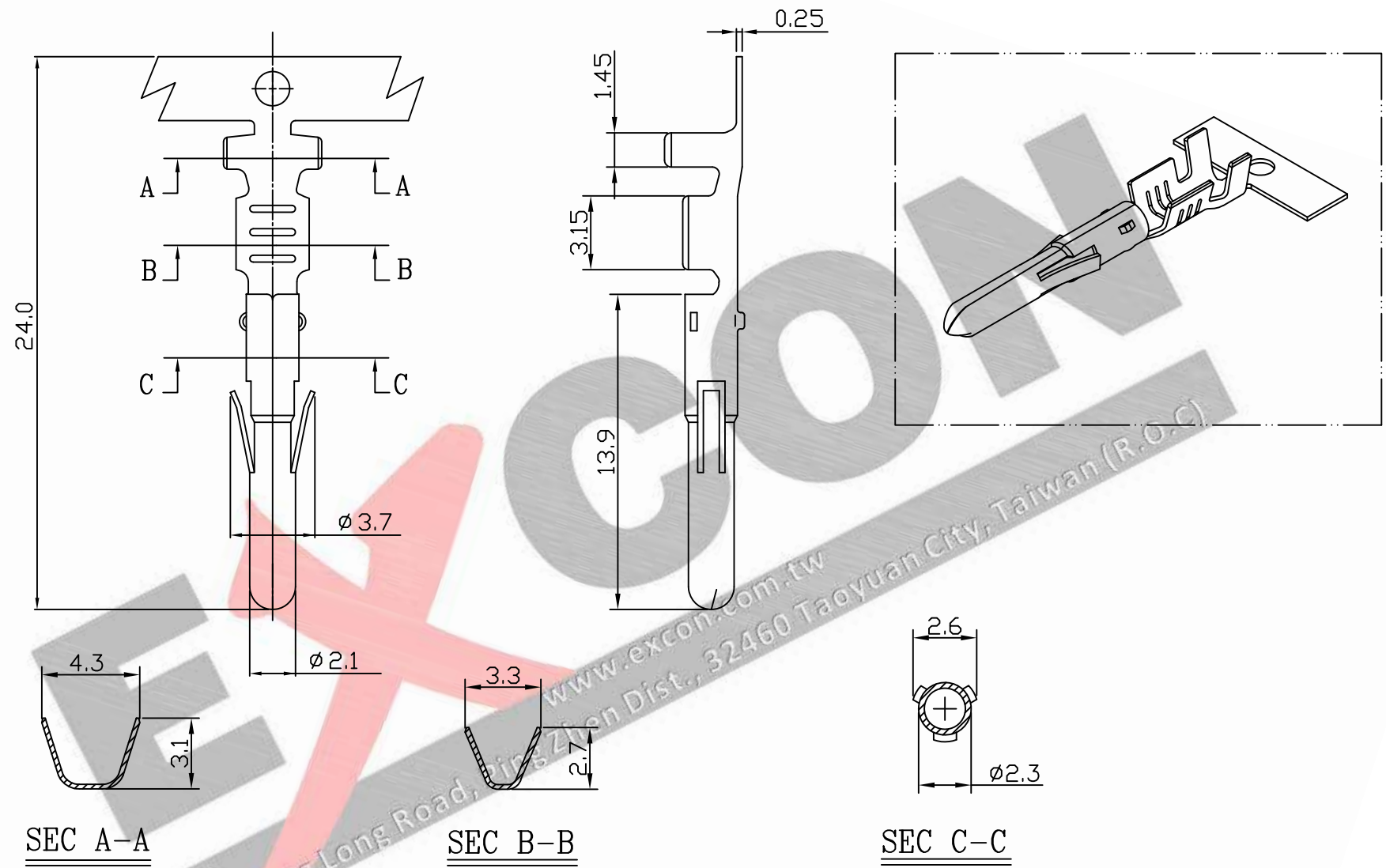
SEC C-C

NOTE:

1. Terminal Material: Brass bronze
2. Plated: Tin-plated 50u"min.
3. Applicable wires: AWG#18-#24
4. Insulation O.D.: 1.3-2.5mm
5. Q'ty/reel: 7,000pcs

					UNLESS OTHERWISE SPECIFIED TOLERANCES		 EXCON TECHNOLOGY COMPANY
					3 PLACE ±0.5 ±0.10		
					2 PLACE ±1.5 ±0.25		
					1 PLACE ±2.0 ±0.50		
					ANGLE DIM		
REV.	REVISIONI			DIS	DATE		
SCALE	REV.	PAGE:	UNIT	mm		DWG NO:	PART.NO
4/1	A	1	THIRD ANGLE PROJECTION			C5082TC	508200TC051

PART NO. 508200TC351
 DWG NO. C5082TC



- NOTE:
1. Terminal Material: Phosphor
 2. Plated: Tin-plated 50u"min.
 3. Applicable wires: AWG#18-#24
 4. Insulation O.D.: 1.3-2.5mm
 5. Q'ty/reel: 7,000pcs

				UNLESS OTHERWISE SPECIFIED TOLERANCES		EXCON
				3 PLACE ±0.5 ±0.10		
				2 PLACE ±1.5 ±0.25		<u>EXCON TECHNOLOGY COMPANY</u>
				1 PLACE ±2.0 ±0.50		
REV.	REVISION I			DIS	DATE	ANGLE DIM
SCALE	REV.	PAGE:	UNIT	mm		DWG NO:
4/1	A	1	THIRD ANGLE PROJECTION			C5082TC
					PART.NO	508200TC351