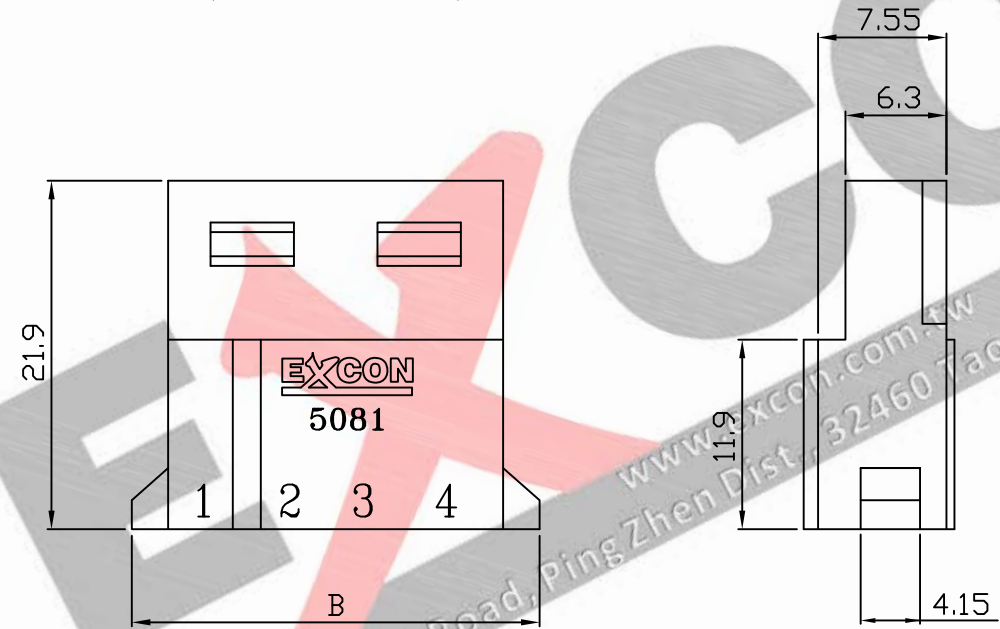
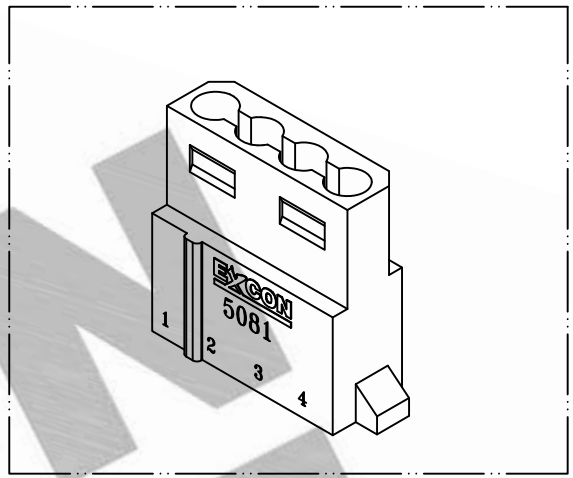
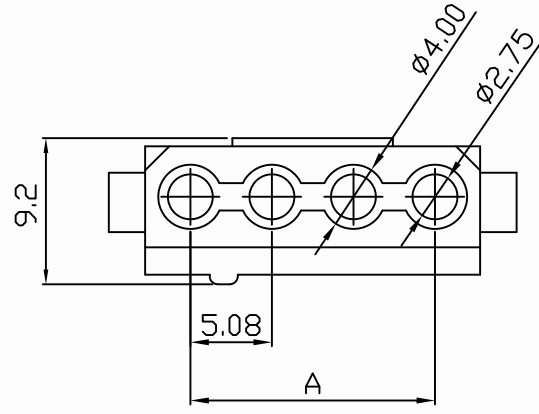


PART NO. 5081xxHA051
 DWG NO. C5081HA



NOTE:

1. Housing Material: Nylon 66 UL94V-2
2. Insulation resistance: 1000MΩ min.
3. Withstand voltage: 1500V AC/minute.
4. Current rating: 5A AC/DC.
5. Voltage rating: 250V AC/DC

Circuits	Part NO.	Dimension mm	
		A	B
2	508102HA051	5.08	13.50
3	508103HA051	10.16	21.12
4	508104HA051	15.24	26.20

UNLESS OTHERWISE SPECIFIED TOLERANCES				 EXCON TECHNOLOGY COMPANY		
3 PLACE ±0.5 ±0.10						
2 PLACE ±1.5 ±0.25				PART.NO		
1 PLACE ±2.0 ±0.50				5081xxHA051		
ANGLE DIM						
REV.	REVISION		DIS	DATE		
SCALE	REV.	PAGE:	UNIT	mm	DWG NO:	
1/1	A	1	THIRD ANGLE PROJECTION		C5081HA	