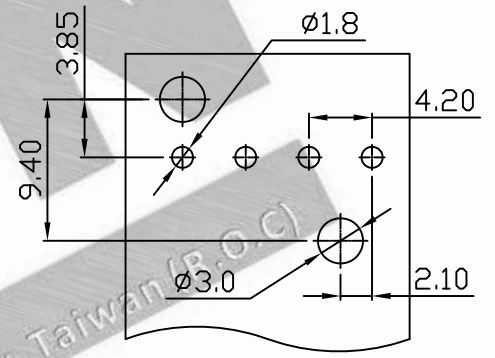
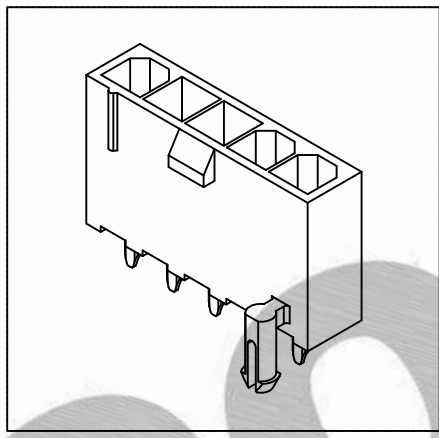
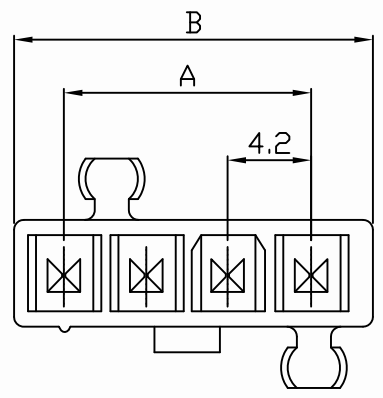
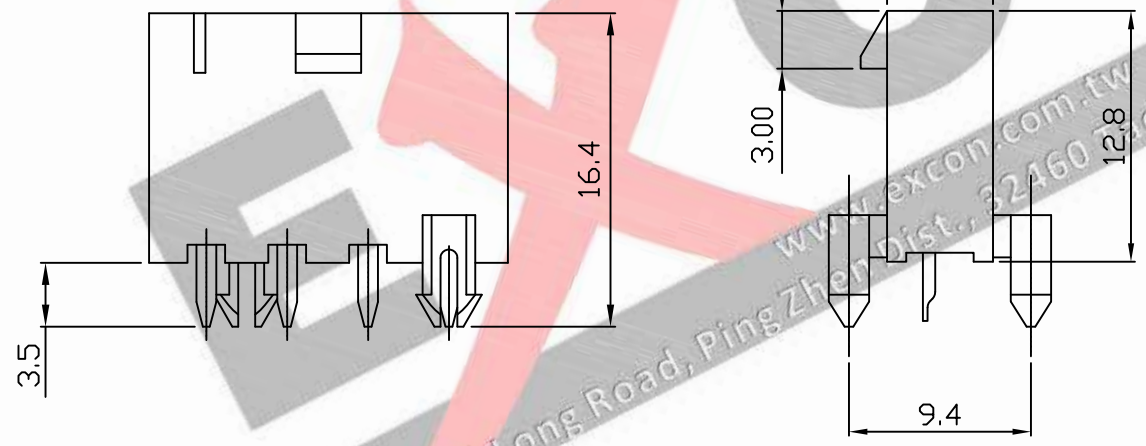


10 9 8 7 6 5 4 3 2 1

PART NO. 4202xxWSxxx
 DWG NO. C4202WS



Panel Layout



Dimensional & Ordering Information:

Part No.		Circuits	Dim A	Dim B
NY66 UL94V0	NY66 UL94V2			
420202WS001	420202WS051	2	4.2	9.6
420203WS001	420203WS051	3	8.4	13.8
420204WS001	420204WS051	4	12.6	18.0
420205WS001	420205WS051	5	16.8	22.2

NOTE:

- Housing Material: Nylon 66 UL94V0 or V2
- Color: Natural
- Withstand voltage: 1500V AC/minute.
- Current rating: 5A AC/DC.
- Voltage rating: 600V AC/DC

UNLESS OTHERWISE SPECIFIED TOLERANCES
 3 PLACE ±0.5 ±0.10
 2 PLACE ±1.5 ±0.25
 1 PLACE ±2.0 ±0.50
 ANGLE DIM



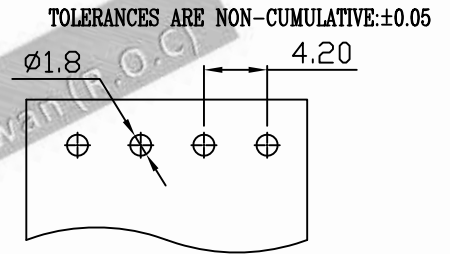
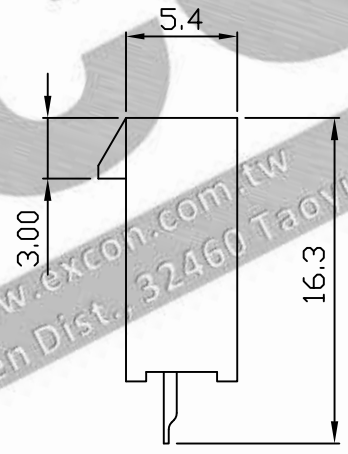
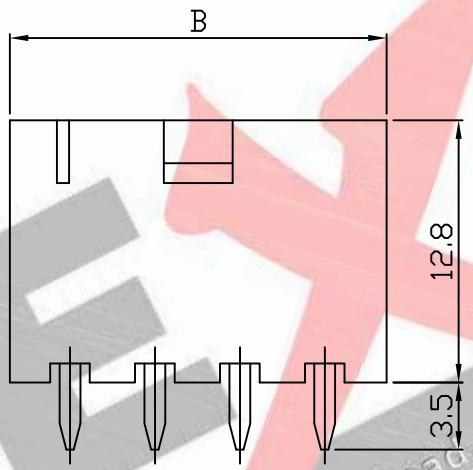
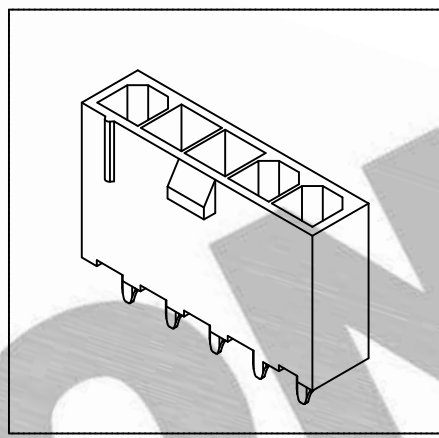
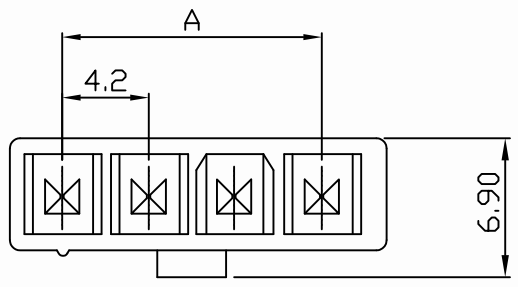
EXCON TECHNOLOGY COMPANY

REV.	REVISION		DIS	DATE
SCALE	REV.	PAGE:	UNIT	mm
4/1	A	1	THIRD ANGLE PROJECTION	

DWG NO:	PART.NO
C4202WS	4202xxWSxxx

10 9 8 7 6 5 4 3 2 1

PART NO. 4202xxWV/xxx
 DWG NO. C4202WV



Panel Layout

Dimensional & Ordering Information:

Part No.		Circuits	Dim A	Dim B
NY66 UL94V0	NY66 UL94V2			
420202WV001	420202WV051	2	4.2	9.6
420203WV001	420203WV051	3	8.4	13.8
420204WV001	420204WV051	4	12.6	18.0
420205WV001	420205WV051	5	16.8	22.2

NOTE:

- Housing Material: Nylon 66 UL94V0 or V2
- Color: Natural
- Withstand voltage: 1500V AC/minute.
- Current rating: 5A AC/DC.
- Voltage rating: 600V AC/DC

UNLESS OTHERWISE SPECIFIED TOLERANCES
 3 PLACE ±0.5 ±0.10
 2 PLACE ±1.5 ±0.25
 1 PLACE ±2.0 ±0.50
 ANGLE DIM



EXCON TECHNOLOGY COMPANY

REV.	REVISION		DIS	DATE	DWG NO:	PART.NO
4/1	A	1			C4202WV	4202xxWV/xxx

SCALE: REV. PAGE: UNIT mm
 THIRD ANGLE PROJECTION