

# WAFER CONNECTOR DIP

4202 SERIES - 4.20MM



## Specifications

- Voltage rating: 250V AC/DC
- Current rating: 7A AC/DC
- Withstanding Voltage: 1500V AC/minute
- Insulation resistance: 1000MΩ min
- Operation temperature: -25°C to +85°C
- Contact resistance: 10mΩ max

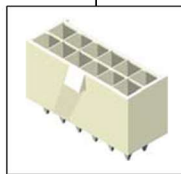
## Wafer

- Poles: 02→24
- Material: Nylon 66 UL94V-2
- Pin material: Brass/Tin plated

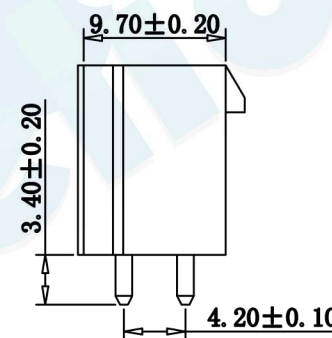
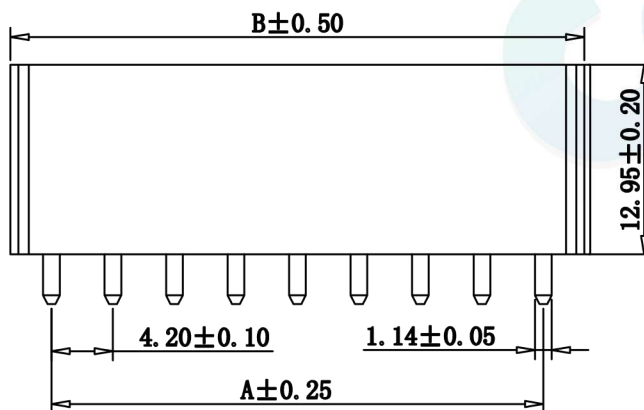
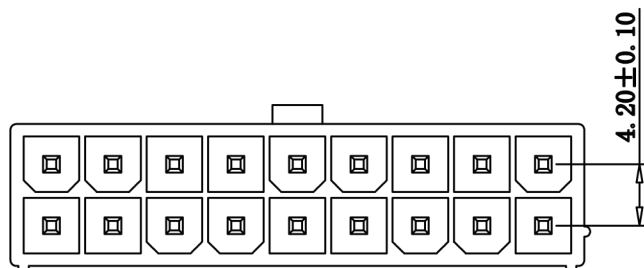
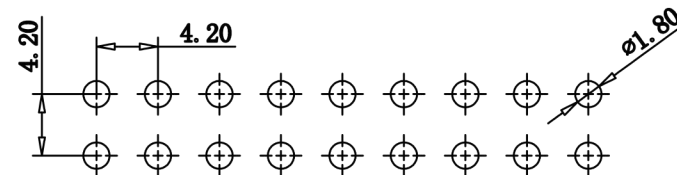
## Ordering Information

**4202D2 - (XX) W**

1. Connector Series
2. Number of pins per row (02→24)
3. Color type
  - W = White



Recommended P.C.B Layout (Top Side)  
(PCB BOARD TOLERANCE ±0.05)



Circuit	Dimensions (mm)	
	A	B
2x01	—	5.60
2x02	4.20	9.80
2x03	8.40	14.00
2x04	12.60	18.20
2x05	16.80	22.40
2x06	21.00	26.60
2x07	25.20	30.80
2x08	29.40	35.00
2x09	33.60	39.20
2x10	37.80	43.40
2x11	42.00	47.60
2x12	46.20	51.80

				OPERATION		DRAW	BEN	12.04.18	SCALE	FIT	 votre partenaire en électronique	
				X.X	±0.30				CHECK	UNIT		
				X.XX	±0.20	APPROVE	SIZE	A4				
A0	2012.04.18	NEW DRAWING		X.XXX	±0.10		SHEET	1/1		PART NO.		
REV	DATE	MODIFICATION DESCRIPTION	CHANGE	DIM	TOL			PROJ.	TITLE:		4.20mm Wafer 2xNpin 180°	