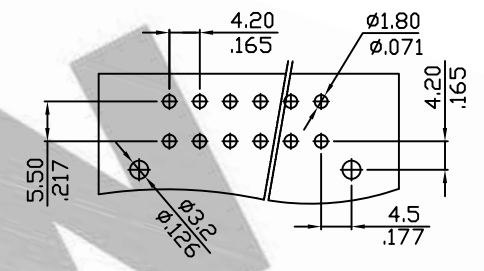
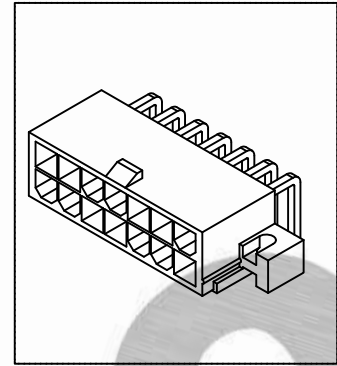
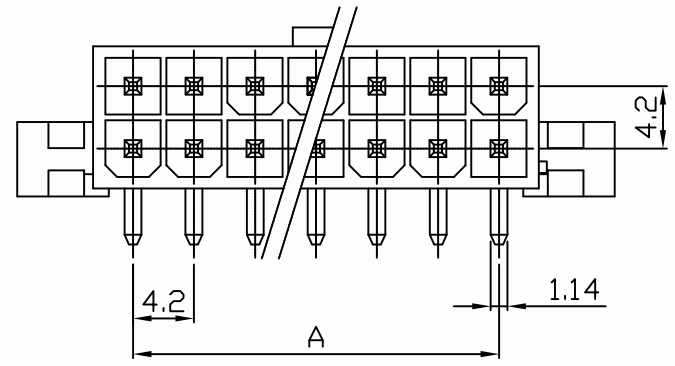
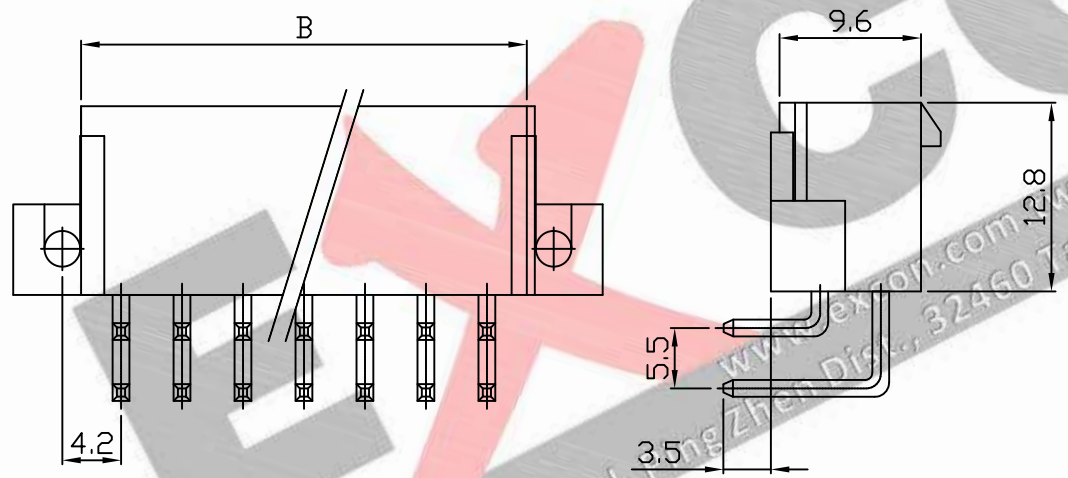


PART NO. 4201xxWHxxx  
 DWG NO. C4201WH



**RECOMMENDED PCB LAYOUT**  
 (PCB T=1.0~1.6mm)  
 (PCB T=.039~.063in)



Dimensional & Ordering Information:

Part No.		Circuits	A	B
NY66 UL94V0	NY66 UL94V2			
420102WH001	420102WH051	2	4.2	5.4
420104WH001	420104WH051	4	8.4	9.6
420106WH001	420106WH051	6	12.6	13.8
420108WH001	420108WH051	8	16.8	18.0
420110WH001	420110WH051	10	21.0	22.2
420112WH001	420112WH051	12	25.2	26.4
420114WH001	420114WH051	14	29.4	30.6
420106WH001	420106WH051	16	33.6	34.8
420118WH001	420118WH051	18	37.8	39.0
420120WH001	420120WH051	20	42.0	43.2
420122WH001	420122WH051	22	46.2	47.4
420124WH001	420124WH051	24	46.2	51.6

**NOTE:**

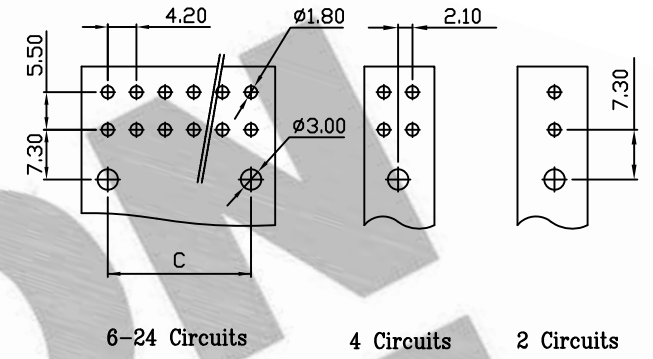
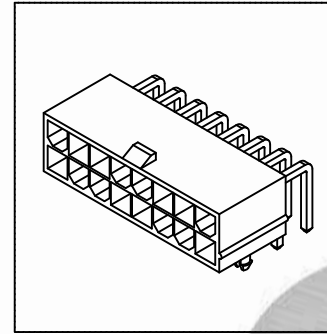
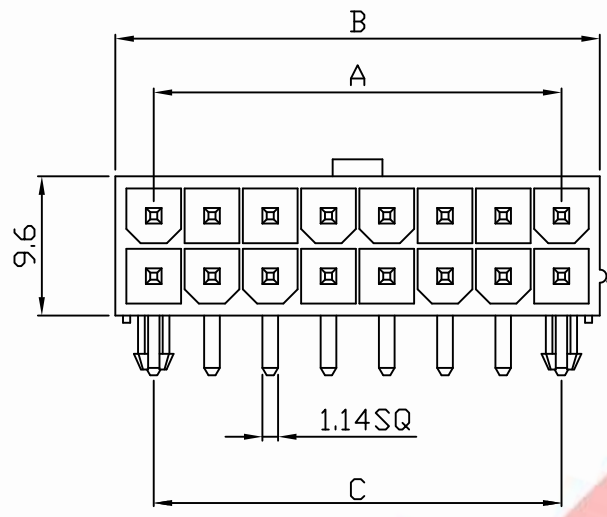
1. Wafer Material: Nylon 66 UL94V2 or V0  
Pin/Pos Material: brass bronze.
2. Plated: Tin-plated 50u"min.
3. Insulation resistance: 1000M ohm/min.
4. Withstand voltage: 1500V AC/minute.
4. Current retang: 5A AC/DC.
5. Voltage rating: 600V AC/DC

REV.	REVISIONI		DIS	DATE	UNLESS OTHERWISE SPECIFIED TOLERANCES 3 PLACE ±0.5 ±0.10 2 PLACE ±1.5 ±0.25 1 PLACE ±2.0 ±0.50 ANGLE DIM
SCALE	REV.	PAGE:	UNIT	M M	
2/1	A	1	THIRD ANGLE PROJECTION		
DWG NO:					C4201WH

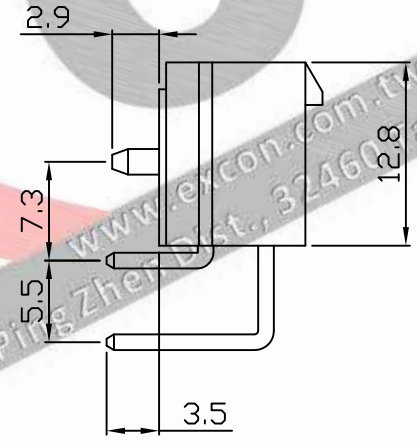
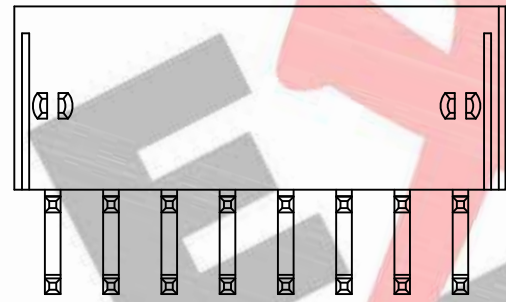
**EXCON**  
 EXCON TECHNOLOGY COMPANY

PART.NO  
 4201xxWHxxx

PART NO. 4201xxWFxxx  
 DWG NO. C4201WF



**RECOMMENDED PCB LAYOUT**  
 (PCB THK=1.0~1.6)



Dimensional & Ordering Information:

Part No.		Circuits	A	B	C
NY66 UL94V0	NY66 UL94V2				
420102WF001	420102WF051	2		5.4	
420104WF001	420104WF051	4	4.2	9.6	
420106WF001	420106WF051	6	8.4	13.8	8.4
420108WF001	420108WF051	8	12.6	18.0	12.6
420110WF001	420110WF051	10	16.8	22.2	16.8
420112WF001	420112WF051	12	21.0	26.4	21.0
420114WF001	420114WF051	14	25.2	30.6	25.2
420106WF001	420106WF051	16	29.4	34.8	29.4
420118WF001	420118WF051	18	33.6	39.0	33.6
420120WF001	420120WF051	20	37.8	43.2	37.8
420122WF001	420122WF051	22	42.0	47.4	42.0
420124WF001	420124WF051	24	46.2	51.6	46.2

**NOTE:**

1. Wafer Material: Nylon 66 UL94V2 or V0  
Pin/Pos Material: brass bronze.
2. Plated: Tin-plated 50u"min.
3. Insulation resistance: 1000M ohm/min.
4. Withstand voltage: 1500V AC/minute.
4. Current retang: 5A AC/DC.
5. Voltage rating: 600V AC/DC

UNLESS OTHERWISE SPECIFIED TOLERANCES				 <b>EXCON TECHNOLOGY COMPANY</b>	
3 PLACE ±0.5 ±0.10					
2 PLACE ±1.5 ±0.25				PART.NO	
1 PLACE ±2.0 ±0.50				4201xxWFxxx	
ANGLE DIM					
REV.	REVISIONI		DIS	DATE	
SCALE	REV.	PAGE:	UNIT	mm	DWG NO:
2/1	A	1	THIRD ANGLE PROJECTION		C4201WF