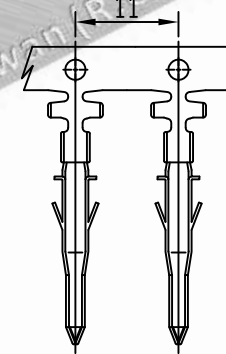
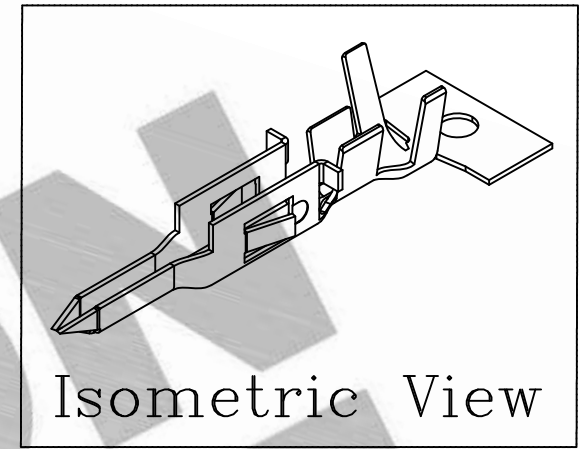
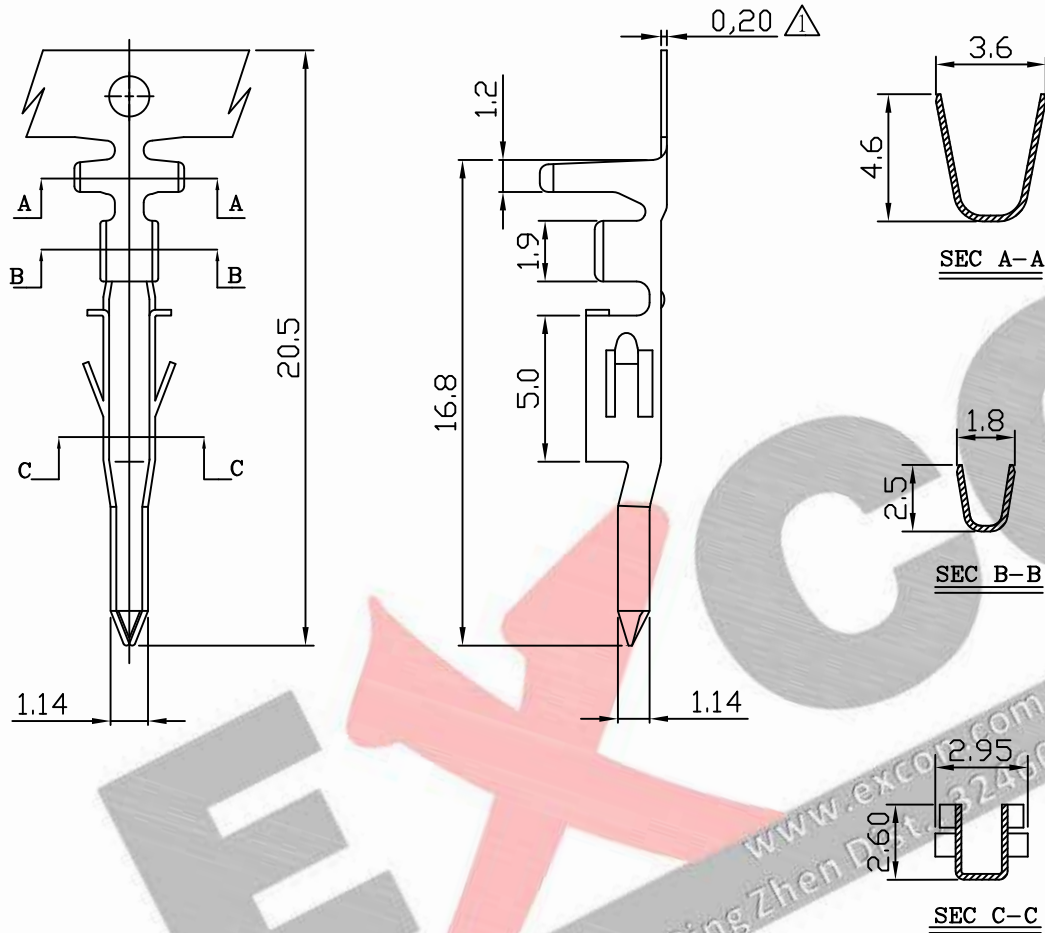


PART NO. 420100TAxxx
 DWG NO. C4201TA



NOTE:

1. Terminal Material: Brass bronze or Phosphor bronze
- △ 2. Plated: Tin pre-plated 50u"min.
- △ 3. Current rating: 5A AC/DC
- △ 4. Voltage rating: 600V AC/DC
- △ 5. Withstand voltage: 1500V AC/minute
- △ 6. Insulation resistance: 1000MΩ min
7. Insulation O.D.: 1.1~2.1mm
8. Q'ty / reel: 4,000pcs

Dimensional & Ordering Information:

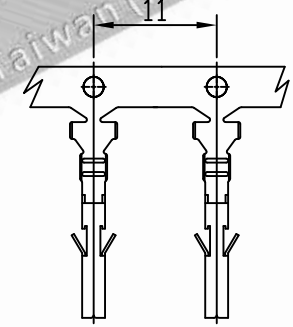
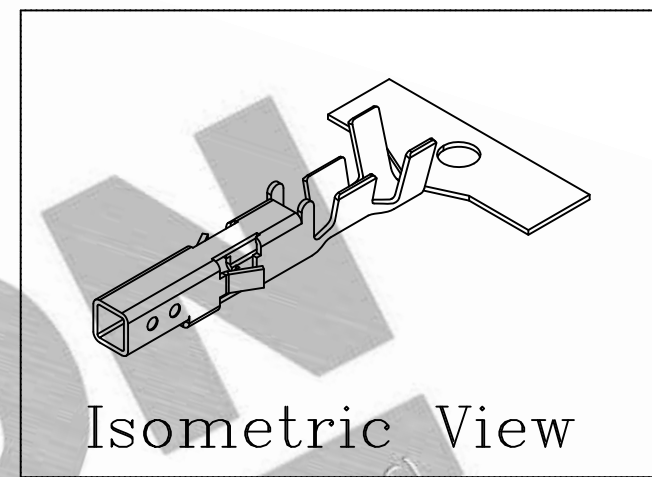
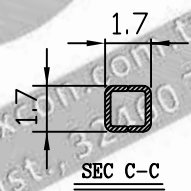
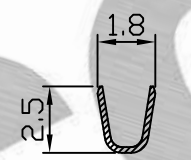
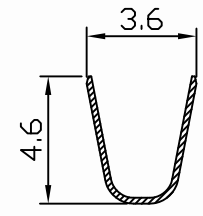
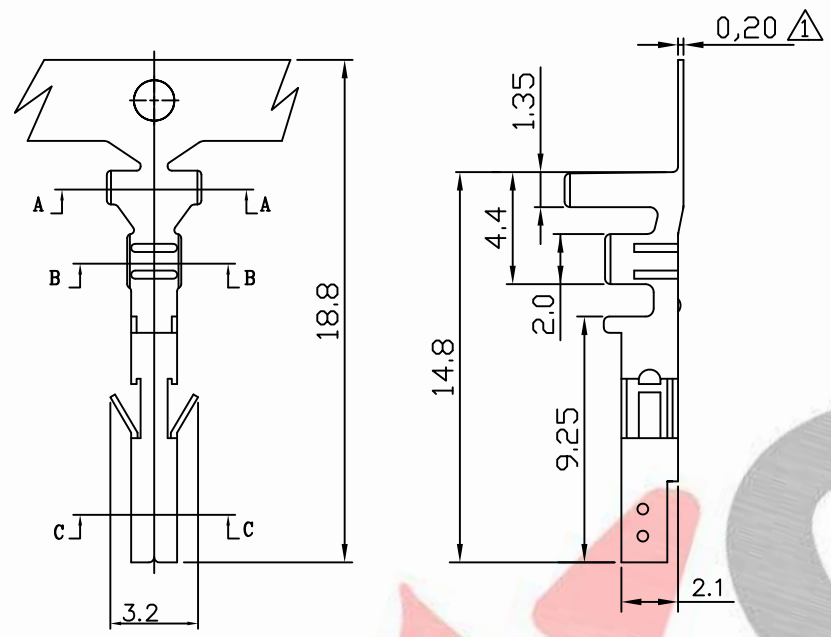
No.	Part No.	Wire Range	Material	Finishing
1	420100TA051	AWG#24~#18	Brass	Tin pre-plated
2	420100TA351	AWG#24~#18	Phosphor	Tin pre-plated

C		DWG RELEASE		Christy	12/24 2015	UNLESS OTHERWISE SPECIFIED TOLERANCES 3 PLACE ±0.5 ±0.10 2 PLACE ±1.5 ±0.25 1 PLACE ±2.0 ±0.50 ANGLE DIM
B		NOTE: 修改 第 2 項 Tin-Plated → Tin pre-Plated 新增 第 3、4、5、6 項及數厚 T0.2		Christy	5/28 2015	
REV.	REVISIONI				DIS	DATE
SCALE	REV.	PAGE:	UNIT		MM	
4/1	C	1/1	THIRD ANGLE PROJECTION		DWG NO: C4201TA	

EXCON
 EXCON TECHNOLOGY COMPANY

PART.NO
 420100TAxxx

PART NO. 420100TBxxx
 DWG NO. C4201TB



- NOTE:
1. Terminal Material: Brass bronze or Phosphor bronze
 2. Plated: Tin pre-plated 50u"min.
 3. Current rating: 5A AC/DC
 4. Voltage rating: 600V AC/DC
 5. Withstand voltage: 1500V AC/minute
 6. Insulation resistance: 1000MΩ min
 7. Insulation O.D.: 1.1~2.1mm
 8. Q'ty / reel: 4,000pcs

Dimensional & Ordering Information:

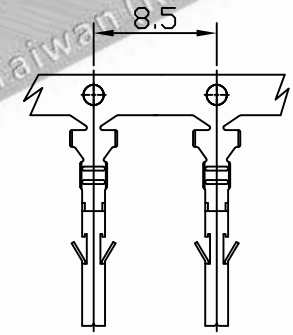
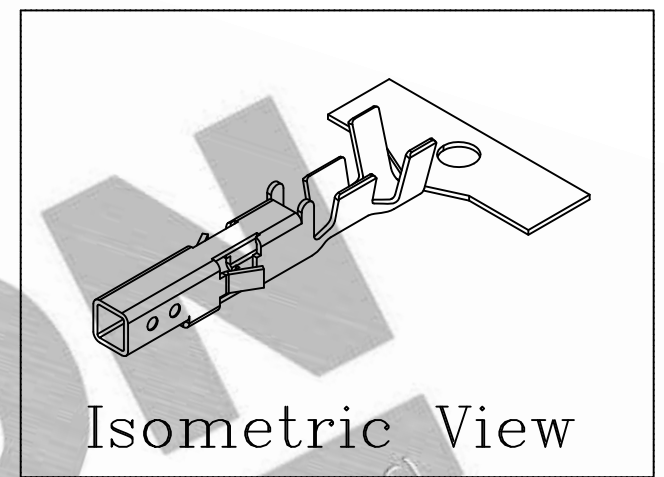
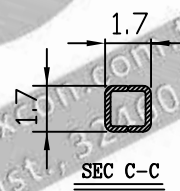
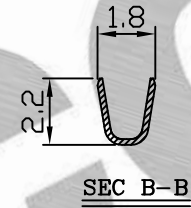
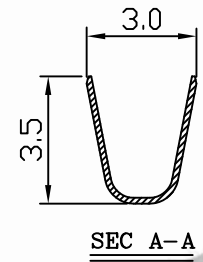
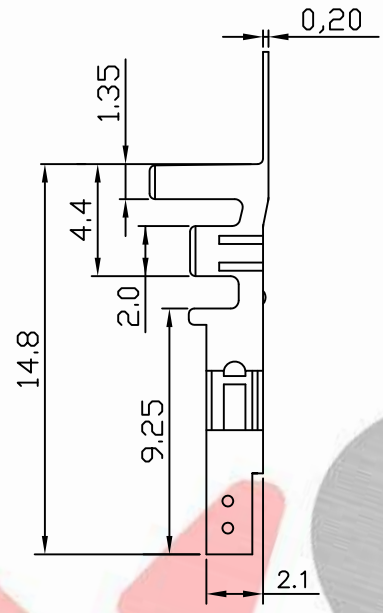
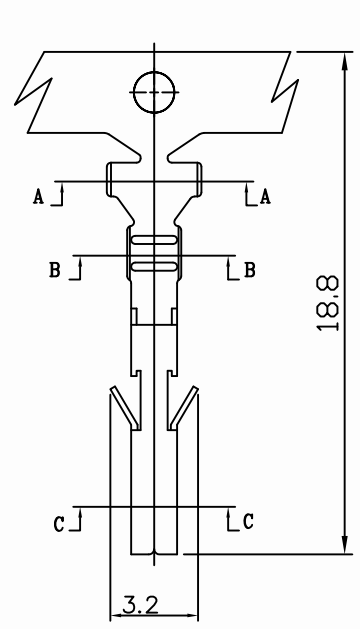
No.	Part No.	Wire Range	Material	Finishing
1	420100TB051	AWG#24~#18	Brass	Tin pre-plated
2	420100TB351	AWG#24~#18	Phosphor	Tin pre-plated

D	DWG RELEASE		Christy	12/24 2015	UNLESS OTHERWISE SPECIFIED TOLERANCES 3 PLACE ±0.5 ±0.10 2 PLACE ±1.5 ±0.25 1 PLACE ±2.0 ±0.50 ANGLE DIM
C	NOTE:修改 第2項 Tin-Plated → Tin Pre-Plated 新增 第3、4、5、6項及鍍厚T0.2		Christy	5/28 2015	
REV.	REVISIONI		DIS	DATE	
SCALE	REV.	PAGE:	UNIT		DWG NO:
4/1	D	1/1	THIRD ANGLE PROJECTION		C4201TB

EXCON
 EXCON TECHNOLOGY COMPANY

PART.NO
 420100TBxxx

PART NO. 420100TMxxx
 DWG NO. C4201TM



- NOTE:
1. Terminal Material: Brass bronze or Phosphor bronze
 2. Plated: Tin pre-plated 50u"min.
 3. Current rating: 5A AC/DC
 4. Voltage rating: 600V AC/DC
 5. Withstand voltage: 1500V AC/minute
 6. Insulation resistance: 1000MΩ min
 7. Insulation O.D.: 0.9~1.8mm
 8. Q'ty / reel: 7,000pcs

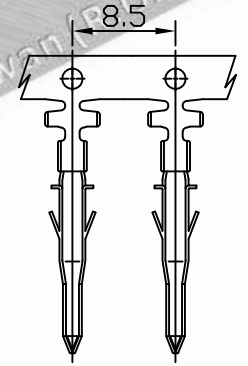
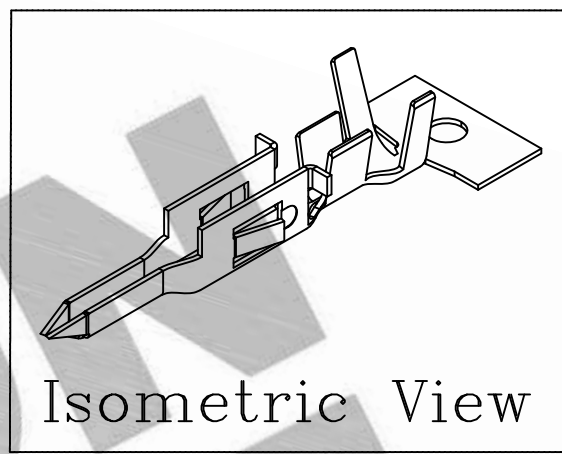
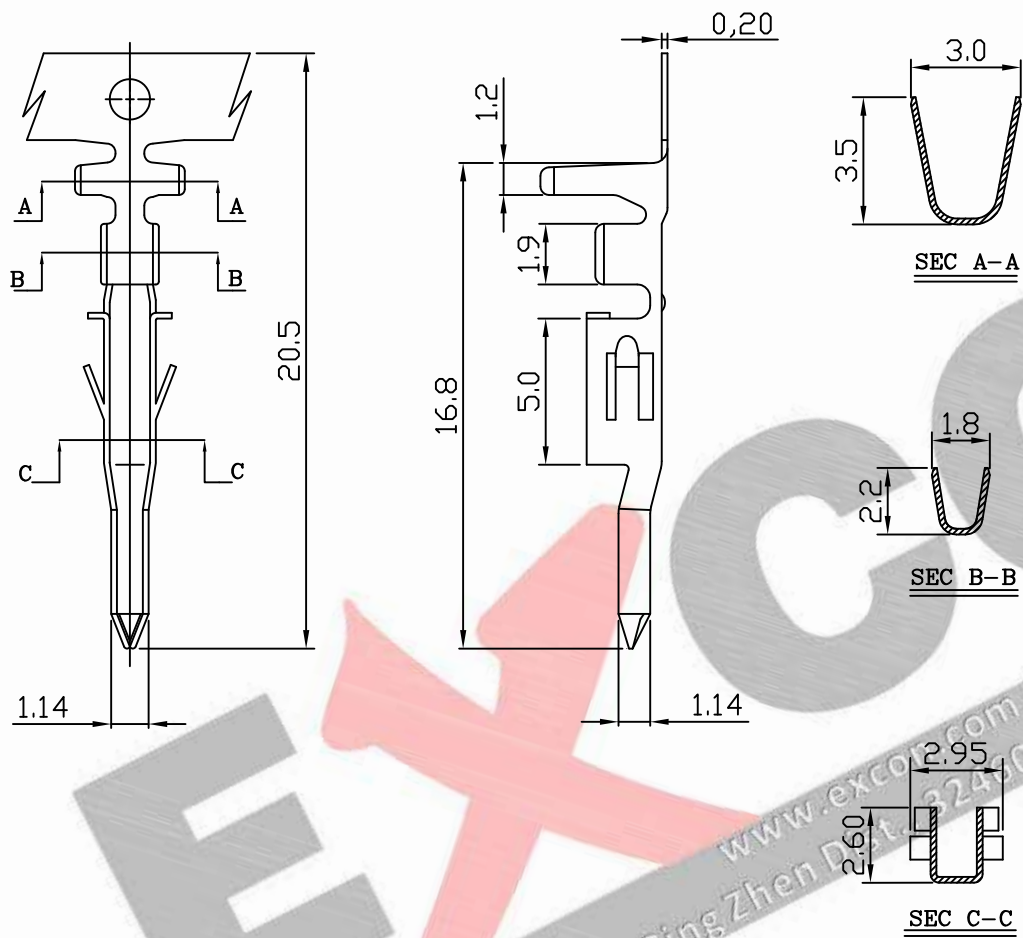
Dimensional & Ordering Information:

No.	Part No.	Wire Range	Material	Finishing
1	420100TM051	AWG#22~#28	Brass	Tin pre-plated
2	420100TM351	AWG#22~#28	Phosphor	Tin pre-plated

A		DWG RELEASE		christy	12/24 2015	UNLESS OTHERWISE SPECIFIED TOLERANCES 3 PLACE ±0.5 ±0.10 2 PLACE ±1.5 ±0.25 1 PLACE ±2.0 ±0.50 ANGLE DIM	EXCON EXCON TECHNOLOGY COMPANY
REV.	REVISIONI			DIS	DATE		
SCALE	REV.	PAGE:	UNIT	mm		DWG NO:	PART.NO
4/1	A	1/1	THIRD ANGLE	PROJECTION		C4201TM	420100TMxxx

PART NO.
420100TPxxx

DWG NO.
C4201TP



- NOTE:**
1. Terminal Material: Brass bronze or Phosphor bronze
 2. Plated: Tin pre-plated 50u"min.
 3. Current rating: 5A AC/DC
 4. Voltage rating: 600V AC/DC
 5. Withstand voltage: 1500V AC/minute
 6. Insulation resistance: 1000MΩ min
 7. Insulation O.D.: 0.9~1.8mm
 8. Q'ty / reel: 7,000pcs

Dimensional & Ordering Information:

No.	Part No.	Wire Range	Material	Finishing
1	420100TP051	AWG#22~#28	Brass	Tin pre-plated
2	420100TP351	AWG#22~#28	Phosphor	Tin pre-plated

B 變更		A 變更		UNLESS OTHERWISE SPECIFIED TOLERANCES		 EXCON TECHNOLOGY COMPANY
A DWG RELEASE		A		3 PLACE ±0.5 ±0.10	2 PLACE ±1.5 ±0.25	
REV. REVISIONI		DIS DATE		1 PLACE ±2.0 ±0.50	ANGLE DIM	
SCALE	REV.	PAGE:	UNIT	MM	DWG NO:	PART.NO
4/1	B	1/1	THIRD ANGLE PROJECTION	⊕	C4201TP	420100TPxxx