

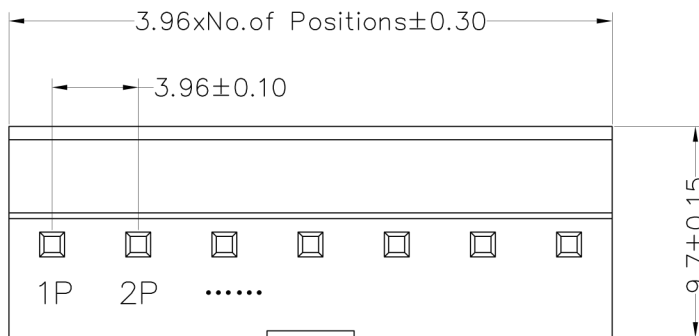
WAFER CONNECTOR DIP

3961 SERIES - 3.96MM

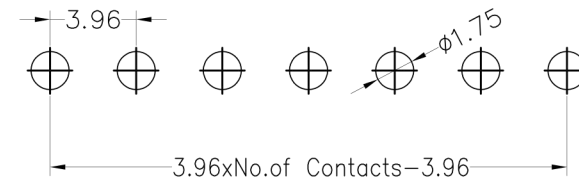


Specifications

- Rated current: 5.0AMP
- Contact resistance: 20mΩ max
- Withstand Voltage: 1000V AC/DC
- Insulation resistance: 1000MΩ min
- Operation temperature: -40°C to +105°C
- Contact material: Brass
- Contact plating: Au Or Sn Over Ni
- Insulator material: Polyester (UL94V-0)
- Standard: PA66

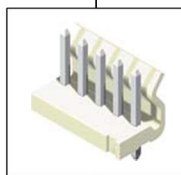


Recommended P.C.B Layout (Top Side)
(PCB BOARD TOLERANCE ±0.05)

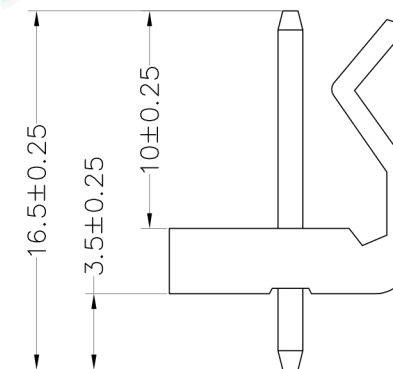
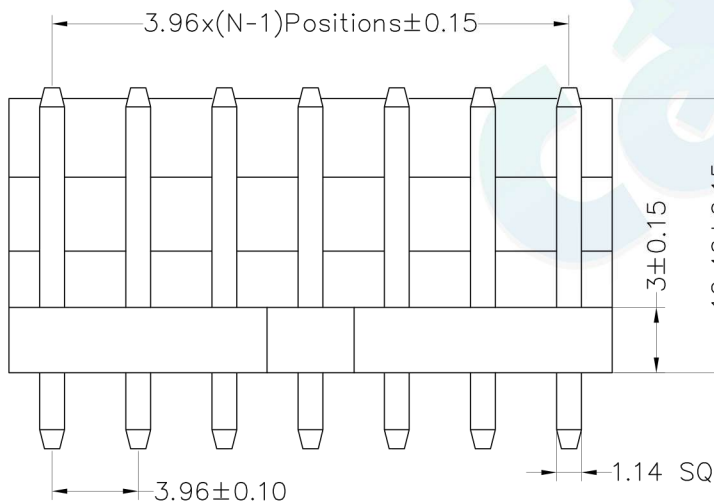



Ordering Information

3961D1 - (XX) W 02



1. Connector Series
2. Number of pins per row (02→15)
3. Color type
 - W = White



				OPERATION		DRAW	BEN	12.04.18	SCALE	FIT	 votre partenaire en électronique		
				X.X	±0.30				UNIT	mm			
				X.XX	±0.20	CHECK	SIZE	A4	PART NO.	3961D1 - XXX 02			
				X.XXX	±0.10		SHEET	1/1	TITLE:	3.96mm Wafer 1xNpin 180°			
REV	DATE	MODIFICATION DESCRIPTION	CHANGE	Angle	±3°	APPROVE		PROJ.					