

# BOARD TO BOARD CONNECTOR MALE

3722 SERIES - 0.635MM PITCH



## Specifications

- Electrical rating: AC/DC 50V 0.5A
- Insulation resistance: 500MΩ min
- Withstand Voltage: 200V AC/minute
- Operation temperature: -40°C to +105°C

## Material

- Contact material: Phosphore bronze Gold plated
- Housing: LCP

## Ordering Information

**3722M - XXX - 39 X (X)**

1
2
3
4
5

### 1. Connector Series

### 2. Number of pins per row (10→100P)

### 3. Plastic Hight

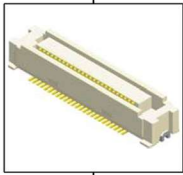
- 39 = 3.94mm

### 4. Contact Plating

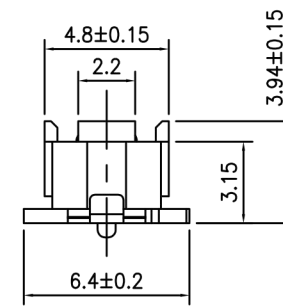
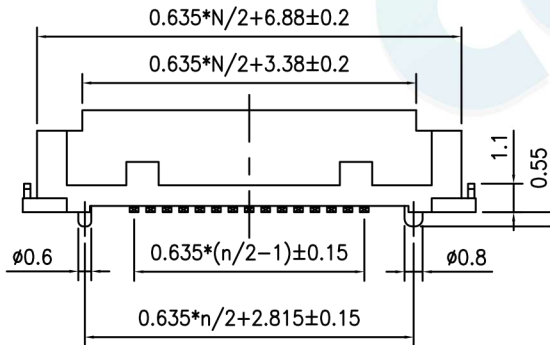
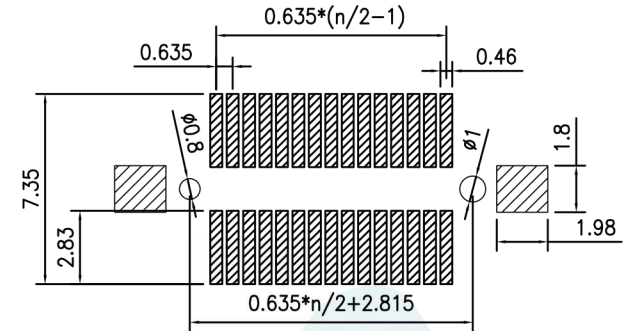
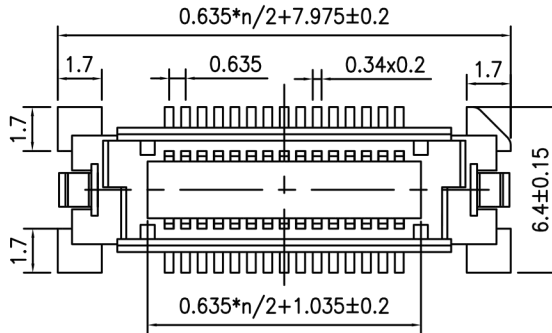
- A= Gold Flash
- B= 3U" Gold
- C= 5U" Gold
- D= 10U" Gold
- E= 15U" Gold
- F= 30U" Gold
- G= Gold Flash/Tin

### 5. Packaging

- T= Tube
- R= Reel



Recommended P.C.B Layout(Top Side)  
(PCB BOARD TOLERANCE±0.05)



				OPERATION		DRAW	BEN	12.04.18	SCALE	FIT	votre partenaire en électronique								
				X.X	±0.30								CHECK			UNIT	mm	PART NO. 3722M-XXX-39X (X)	
				X.XX	±0.20	APPROVE			SIZE	A4	TITLE: 0.635BTB NPin H3.94 Male								
				X.XXX	±0.10														
REV	DATE	MODIFICATION DESCRIPTION	CHANGE																