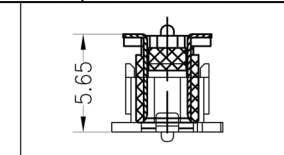


BOARD TO BOARD CONNECTOR FEMALE

3722 SERIES - 0.635MM PITCH



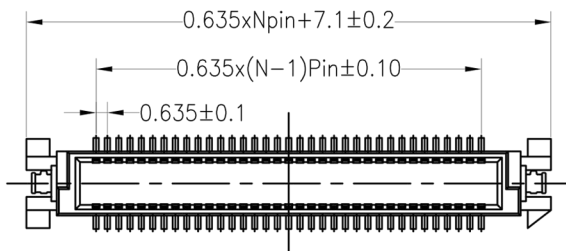
ASSEMBLY

Specifications

- Electrical rating: AC/DC 50V 0.5A
- Insulation resistance: 500MΩ min
- Withstand Voltage: 200V AC/minute
- Operation temperature: -40°C to +105°C

Material

- Contact material: Phosphore bronze Gold plated
- Housing: LCP



Ordering Information

3722F - XXX - 50 X (X)

1 2 3 4 5

1. Connector Series

2. Number of pins per row (10→100P)

3. Plastic Hight

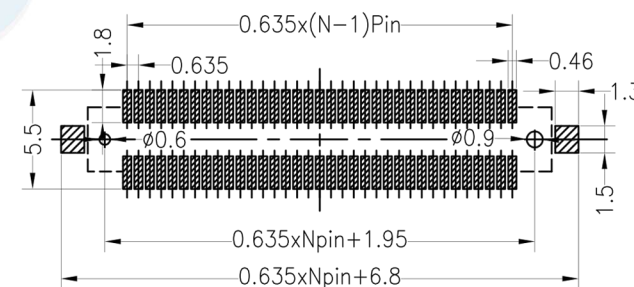
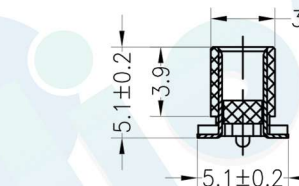
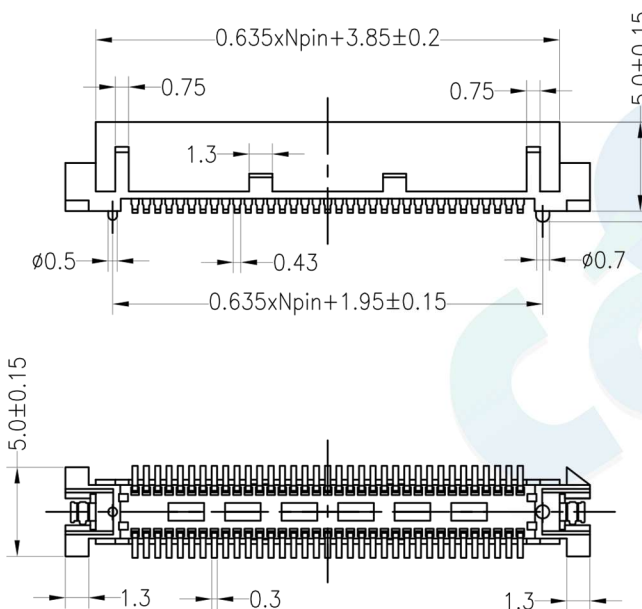
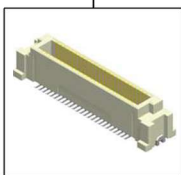
- 50 = 5.0mm

4. Contact Plating

- A= Gold Flash
- B= 3U" Gold
- C= 5U" Gold
- D= 10U" Gold
- E= 15U" Gold
- F= 30U" Gold
- G= Gold Flash/Tin

5. Packaging

- T= Tube
- R= Reel



Recommended P.C.B Layout (Top Side)
(PCB BOARD TOLERANCE ±0.05)

				OPERATION		DRAW	BEN	12.04.18	SCALE	FIT	votre partenaire en électronique						
				X.X	±0.30								CHECK			UNIT	mm
				X.XX	±0.20	APPROVE			SIZE	A4	TITLE:	0.635BTB NPin H5.0 Female					
				X.XXX	±0.10												
A0	2012.04.18	NEW DRAWING		Angle	±3°												
REV	DATE	MODIFICATION DESCRIPTION		DIM	TOL												