

# IC SOCKET SMT MALE

## 3660 SERIES - 2.54MM PITCH



### Materials

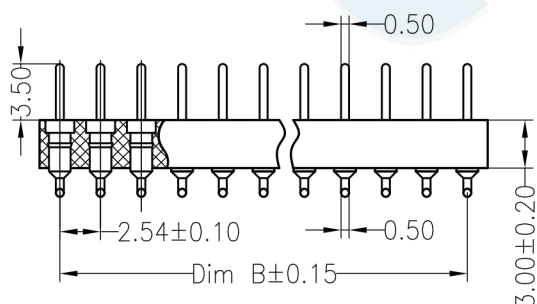
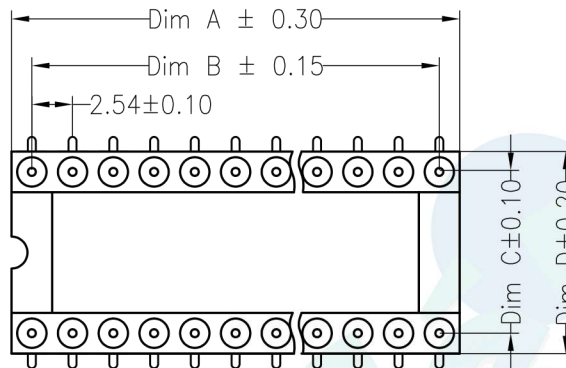
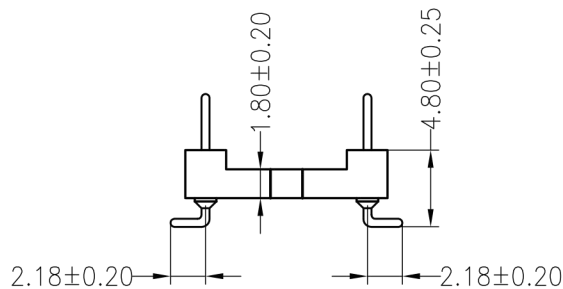
- Pin: Brass, machined, (H59-3)
- Plating: Gold plated: 1.25u"m/50 u"nickel,full gold
- Insulator body (black): PPS/PBT (UL94V-0)

### Electrical

- Current rating: 3Amps
- Contact resistance: 20mΩ/contact
- Insulation resistance: 1000MΩ min
- Operating voltage: 60 AC/DC

### Mechanical

- Operating temperature: -40°C to 105°C
- Soldering temperature: 260°C, 5s max



Contact	Dim A	Dim B	Dim C	Dim D
6	7.62	5.08	7.62	10.16
8	10.16	7.62	7.62	10.16
10	12.70	10.16	7.62	10.16
14	17.78	15.24	7.62	10.16
16	20.32	17.78	7.62	10.16
18	22.86	20.32	7.62	10.16
20	25.40	22.86	7.62	10.16
24	30.48	27.94	7.62	10.16
28	35.56	33.02	7.62	10.16
20	25.40	22.86	10.16	12.70
22	27.94	25.40	10.16	12.70
24	30.48	27.94	10.16	12.70
28	35.56	33.02	10.16	12.70
24	30.48	27.94	15.24	17.78
28	35.56	33.02	15.24	17.78
32	40.64	38.10	10.16	12.70
32	40.64	38.10	15.24	17.78
36	45.72	43.18	15.24	17.78
40	50.80	48.26	15.24	17.78
42	53.34	50.80	15.24	17.78
48	60.96	58.42	15.24	17.78
50	63.50	60.96	15.24	17.78
52	66.04	63.50	15.24	17.78
50	63.50	60.96	22.86	25.40
52	66.04	63.50	22.86	25.40
64	81.28	78.74	22.86	25.40

### Ordering Information

**3660S - 30 (XX) - AAA B C**

1
2
3
4
5
6

#### 1. Connector Series

#### 2. (H) Hauteur isolant

- H = 30 (Hauteur isolant : 3.0mm)

#### 3. Number of pins per row

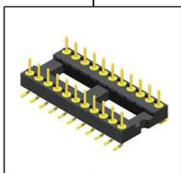
#### 4. Pin Length (100 = 10.0mm)

#### 5. Contact Plating

- A = Tin
- B = Gold Flash
- C = 2U" Gold
- D = 3U" Gold
- E = 5U" Gold
- F = 10U" Gold
- G = Gold Flash/Tin (\*Standard)

#### 6. Insulator Type

- A = 7.62PH
- B = 10.16PH
- C = 15.24PH
- D = 22.86PH



OPERATION		DRAW	BEN	12.04.18	SCALE	FIT
X.X	±0.30					
X.XX	±0.20	CHECK			UNIT	mm
X.XXX	±0.10				SIZE	A4
Angle	±3°	APPROVE			SHEET	1/1
DIM	TOL				PROJ.	◆



REV	DATE	MODIFICATION DESCRIPTION	CHANGE
A0	2012.04.18	NEW DRAWING	

PART NO.	3660S - 30XX - XXXXX
TITLE:	2.54X3.0 IC Socket SMT L=10.0