

FEMALE HEADER ROUND PIN DIP RIGHT ANGLE SINGLE ROW

3624 SERIES - 1.27MM PITCH



Technical Specs

- Flammability: PPS (UL94V-O)
- Sleeve: Brass
- Contact clip (6 finger): C17200
- Accepted pin: Ø0.31 to 0.48mm
- Mechanical life: min 500 cycles
- Rated Current: 1A
- Forces: (polished steel gauge Ø0.381mm)
 - Insertion 0.6 N typ
 - Withdrawal 0.15 N typ
- Contact Resistance: max 20mΩ
- Dielectric Resistance: min 500V RMS

Ordering Information

3624DR1 - 41 (XX) - AAA B 01*

1. Connector Series

2. (H) Hauteur isolant

- H = 41 (Hauteur isolant : 4.1mm)

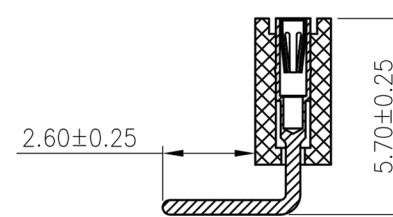
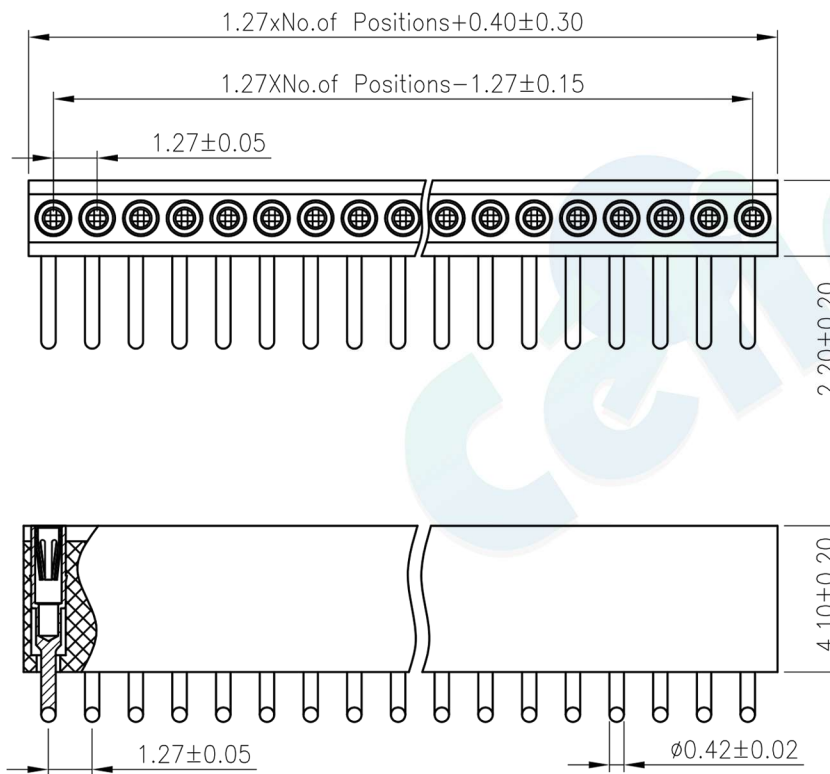
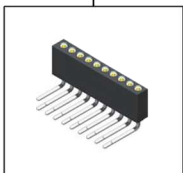
3. Number of pins per row

4. Pin Length (064 = 6.4mm)

5. Contact Plating

- A =Tin
- B =Gold Flash (*Standard)
- C= 2U" Gold
- D= 3U" Gold
- E= 5U" Gold
- F= 10U" Gold
- G=Gold Flash/Tin

(01)* = Type 1



REV	DATE	MODIFICATION DESCRIPTION	CHANGE	OPERATION	DRAW	BEN	12.04.18	SCALE	FIT
A0	2012.04.18	NEW DRAWING		X.X ±0.30	CHECK			UNIT	mm
				X.XX ±0.20				SIZE	A4
				X.XXX ±0.10				SHEET	1/1
				Angle ±3°	APPROVE			PROJ.	◆
				DIM					



PART NO.	3624DR1 - 41XX - XXXX 01
TITLE:	1.27x4.1 Machine Female Header 90°/L=8.9

FEMALE HEADER ROUND PIN DIP RIGHT ANGLE SINGLE ROW

3624 SERIES - 1.27MM PITCH



Technical Specs

- Flammability: PPS (UL94V-O)
- Sleeve: Brass
- Contact clip (6 finger): C17200
- Accepted pin: $\varnothing 0.31$ to 0.48mm
- Mechanical life: min 500 cycles
- Rated Current: 1A
- Forces: (polished steel gauge $\varnothing 0.381\text{mm}$)
 - Insertion 0.6 N typ
 - Withdrawal 0.15 N typ
- Contact Resistance: max 20m Ω
- Dielectric Resistance: min 500V RMS

Ordering Information

3624DR1 - 41 (XX) - AAA B 02*

1. Connector Series

2. (H) Hauteur isolant

- H = 41 (Hauteur isolant : 4.1mm)

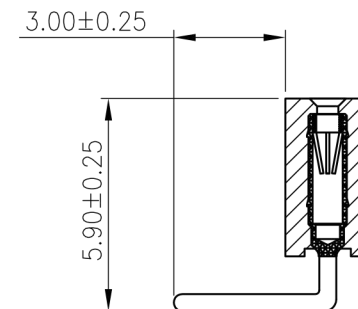
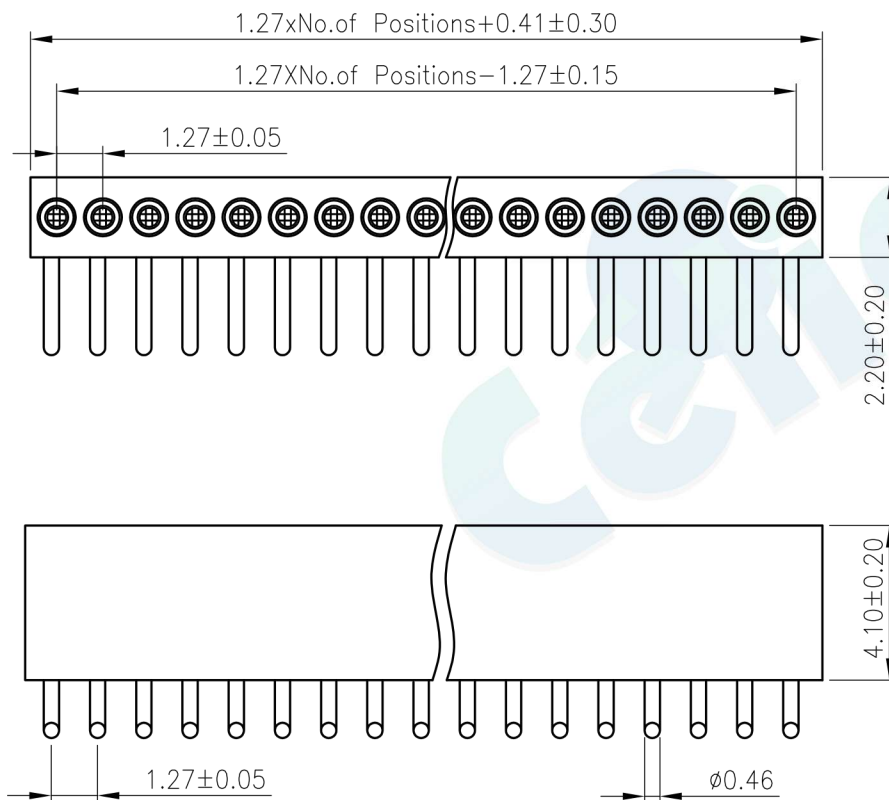
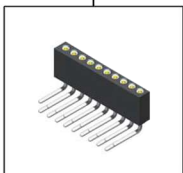
3. Number of pins per row


4. Pin Length (089 = 8.9mm)

5. Contact Plating

- A = Tin
- B = Gold Flash (*Standard)
- C = 2U" Gold
- D = 3U" Gold
- E = 5U" Gold
- F = 10U" Gold
- G = Gold Flash/Tin

(02)* = Type 2



				OPERATION		DRAW	BEN	12.04.18	SCALE	FIT	 votre partenaire en électronique	
				X.X	± 0.30				UNIT	mm		
				X.XX	± 0.20	CHECK			SIZE	A4	PART NO.	3624DR - 41XX - XXXX
				X.XXX	± 0.10	APPROVE			SHEET	1/1	TITLE:	1.27x4.1 Machine Female Header 90°/L=8.9
REV	DATE	MODIFICATION DESCRIPTION	CHANGE	Angle	$\pm 3^\circ$				DIM	TOL	PROJ.	

FEMALE HEADER ROUND PIN DIP RIGHT ANGLE DUAL ROW

3624 SERIES - 1.27MM PITCH



Technical Specs

- Insulator: Black Glass filled polyester PPS
- Flammability: UL94V-O
- Sleeve: Brass (H59-3)
- Contact clip (3 finger): Beryllium copper (C17300)
- Accepted pin: Ø0.38 to 0.50mm
- Mechanical life: min 500 cycles
- Rated Current: 1A
- Forces: (polished steel gauge Ø0.41mm)
 - Insertion 0.5 N typ
 - Withdrawal 0.2 N typ
- Contact Resistance: max 20mΩ
- Dielectric Resistance: min 500V RMS

Ordering Information

3624DR2 - 38 (XX) - AAA B 01*

1. Connector Series

2. (H) Hauteur isolant

- H = 38 (Hauteur isolant : 3.8mm)

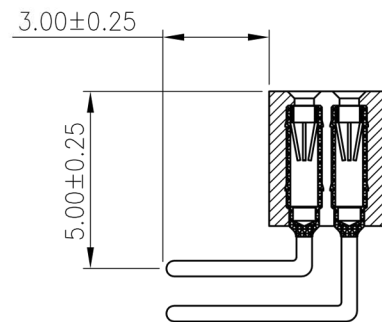
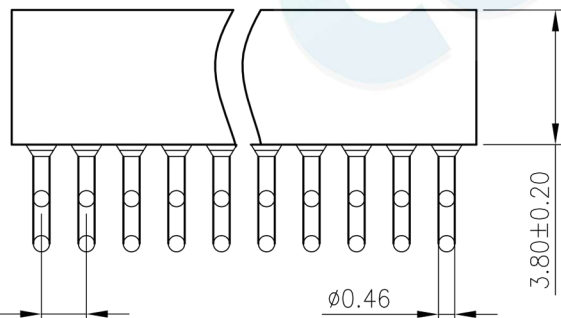
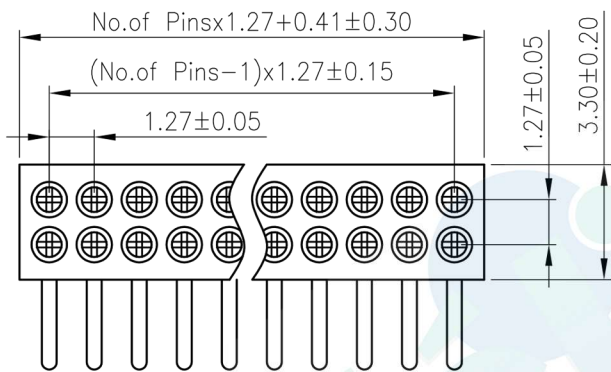
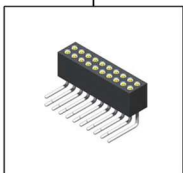
3. Number of pins per row

4. Pin Length (064 = 6.4mm)

5. Contact Plating

- A =Tin
- B =Gold Flash (*Standard)
- C= 2U" Gold
- D= 3U" Gold
- E= 5U" Gold
- F= 10U" Gold
- G=Gold Flash/Tin

(01)* = Type 1



REV		DATE	MODIFICATION DESCRIPTION	CHANGE	DIM	TOL	OPERATION	DRAW	BEN	12.04.18	SCALE	FIT	PART NO.	
A0		2012.04.18	NEW DRAWING		Angle	±3°	APPROVE				SHEET	1/1	3624DR2 - 38XX - XXXX 01	
											PROJ.	◆	TITLE: 1.27x3.8 Machine Female Header 90° L=8.9/11.4mm	



FEMALE HEADER ROUND PIN DIP RIGHT ANGLE DUAL ROW

3624 SERIES - 1.27MM PITCH



Technical Specs

- Insulator: Black Glass filled polyester PPS-GF30-FR
- Flammability: UL94V-O
- Sleeve: Brass (H59-3)
- Contact clip (3 finger): Beryllium copper (C17300)
- Accepted pin: $\varnothing 0.38$ to 0.50mm
- Mechanical life: min 500 cycles
- Rated Current: 1A
- Forces: (polished steel gauge $\varnothing 0.41$ mm)
- Insertion 0.5 N typ
- Withdrawal 0.2 N typ
- Contact Resistance: max 20m Ω
- Dielectric Resistance: min 500V RMS

Ordering Information

3624DR2 - 38 (XX) - AAA B 02*

1. Connector Series

2. (H) Hauteur isolant

- H = 38 (Hauteur isolant : 3.8mm)

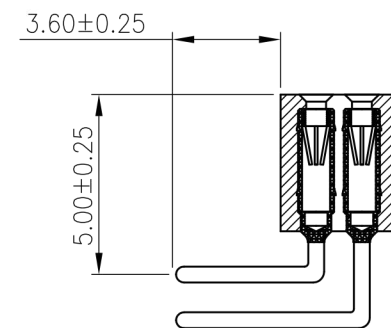
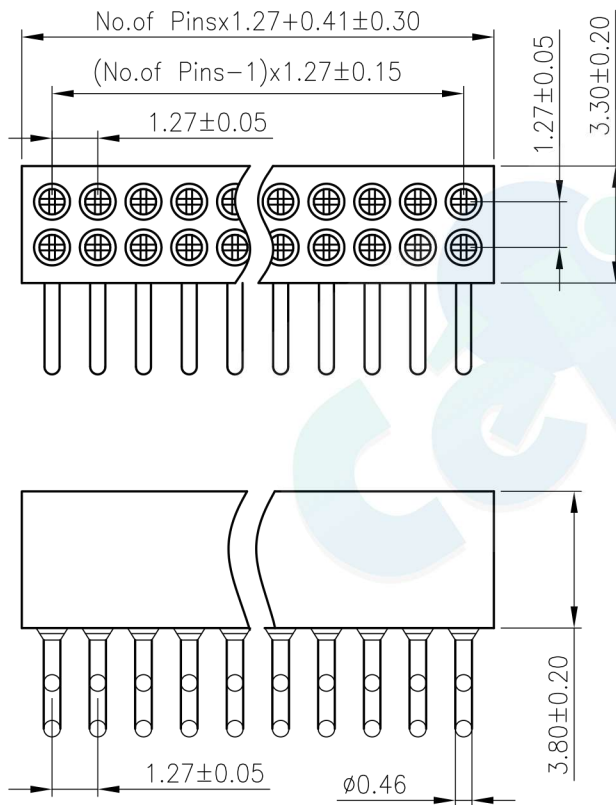
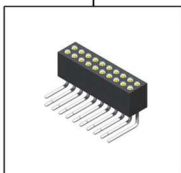
3. Number of pins per row

4. Pin Length (064 = 6.4mm)

5. Contact Plating

- A =Gold Flash
- B =1U" Gold
- C=1.5U" Gold
- D=2U" Gold
- E= 3U" Gold
- F= 5U" Gold
- G=Gold Flash/Tin
- H=Tin

(02)* = Type 2



				OPERATION		DRAW	BEN	12.04.18	SCALE	FIT	votre partenaire en électronique	
				X.X	± 0.30							
				X.XX	± 0.20	APPROVE			SIZE	A4	PART NO.	3624DR2 - 38XX - XXXX 02
				X.XXX	± 0.10							
REV	DATE	MODIFICATION DESCRIPTION	CHANGE	DIM	TOL	PROJ.						