

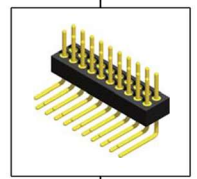
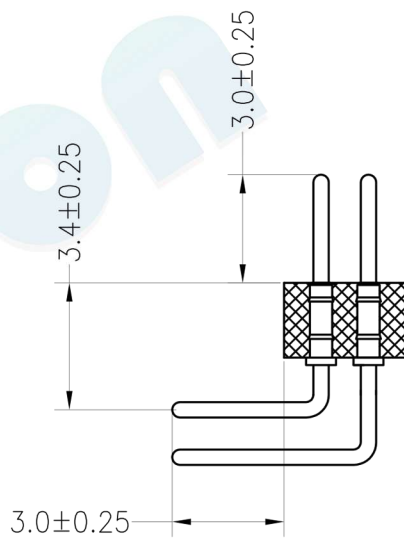
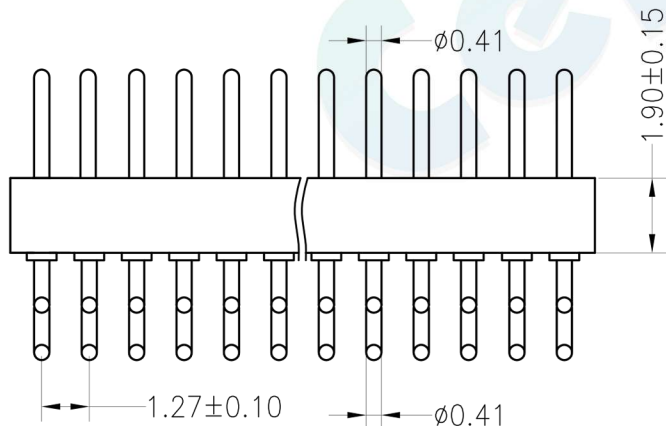
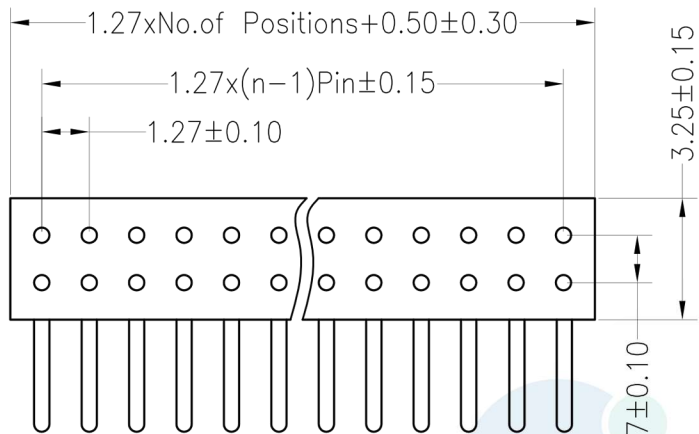
ROUND PIN HEADER DIP RIGHT ANGLE DUAL ROW

3614 SERIES - 1.27MM PITCH



Technical Data


- Insulator : Black Glass filled polyester PPS-GF30-FR
- Flammability : UL94V-O
- Sleeve : Brass
- Accepted pin : $\varnothing 0.41\text{mm}$
- Mechanical life : min 500 cycles
- Rated current : 1A
- Dielectric resistance : Min 1000V RMS
- Coplanarity SMD
- Terminations : Max 0.1mm (measured on 25mm long connectors)



Ordering Information

3614DR2 - 19 (XX) - AAA B

1. Connector Series
2. (H) Hauteur isolant
 - H = 19 (Hauteur isolant : 1.90mm)
3. Number of pins per row
4. Pin Length (101 = 10.1mm)
5. Contact Plating
 - A =Tin
 - B =Gold Flash (Standard*)
 - C= 2U" Gold
 - D= 3U" Gold
 - E= 5U" Gold
 - F= 10U" Gold
 - G=Gold Flash/Tin

				OPERATION		DRAW	BEN	12.04.18	SCALE	FIT	 votre partenaire en électronique		
				X.X	±0.30				UNIT	mm			
				X.XX	±0.20	CHECK		SIZE	A4	PART NO.			3614DR2 - 19XX - XXXX
				X.XXX	±0.10	APPROVE		SHEET	1/1	TITLE:			1.27X1.9 Machine Pin Header 90° L=10. 1/12. 6mm
REV	DATE	MODIFICATION DESCRIPTION	CHANGE	DIM	TOL			PROJ.					