

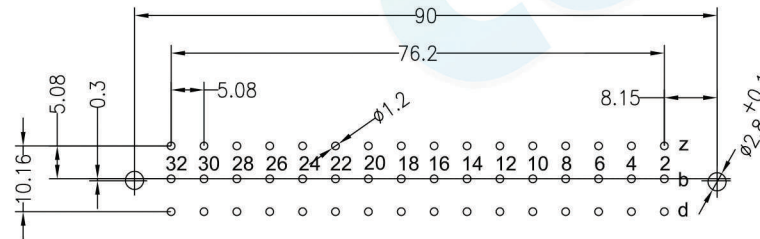
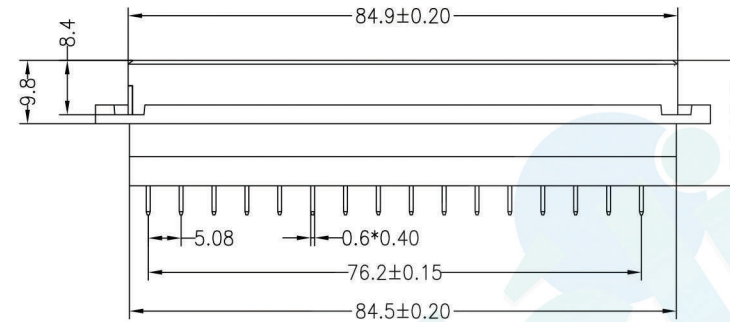
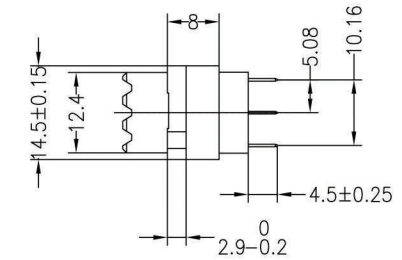
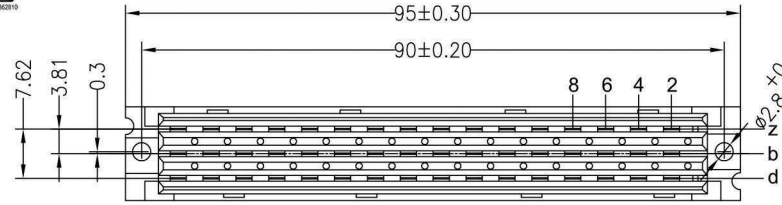
DIN41612 FEMALE LARGE CURRENT HIGH PLASTIC

3513 SERIES - 5.08MM PITCH



Specifications

- Current rating: 5.6 Amps
- Contact resistance: 20 mohms initial
- Insulation resistance: 100000 Mohms min / 500 VDC
- Dielectric Withstanding: 1000 VAC/minute
- Operation temperature: -55°C to +125°C
- Contact material: Phosphore Bronze
- Contact plating: Au Or Sn Over Ni
- Insulator material: Polyester (UL94V-0)
- Standard: PBT
- Max. processing Temp: 180°C for 30-60 seconds
200°C for 10 seconds



PCB LAYOUT(RECOMMENDED)

(TOP VIEW TOL. :±0.05)

Ordering Information

3513D3 - 48 A F X 01

1. Connector Series

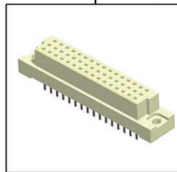
2. Number of pins

3. Contact type

- F= Female

4. Contact Plating

- A= Gold Flash
- B= Gold Flash/Tin
- C= 2U" Gold/Tin
- D= 5U" Gold/Tin
- E= 10U" Gold/Tin
- F= 15U" Gold/Tin
- G=30U" Gold/Tin
- H= Tin



				OPERATION		DRAW	BEN	12.04.18	SCALE	FIT	 votre partenaire en électronique		
				X.X	±0.30				UNIT	mm			
				X.XX	±0.20	CHECK	SIZE	A4	PART NO.	3513DR3-48AFX 01			
				X.XXX	±0.10	APPROVE	SHEET	1/1	TITLE:	DIN 41612 of 5.08mm pitch large current F-type high plastic			
REV	DATE	MODIFICATION DESCRIPTION	CHANGE	DIM	TOL			PROJ.					

DIN41612 FEMALE LARGE CURRENT SHORT PLASTIC

3513 SERIES - 5.08MM PITCH



Specifications

- Current rating: 5.6 Amps
- Contact resistance: 20 mohms initial
- Insulation resistance: 100000 Mohms min / 500 VDC
- Dielectric Withstanding: 1000 VAC/minute
- Operation temperature: -55°C to +125°C
- Contact material: Phosphore Bronze
- Contact plating: Au Or Sn Over Ni
- Insulator material: Polyester (UL94V-0)
- Standard: PBT
- Max. processing Temp: 180°C for 30-60 seconds
200°C for 10 seconds

Ordering Information

3513D3 - 48 A F X 02

1 2 3 4

1. Connector Series

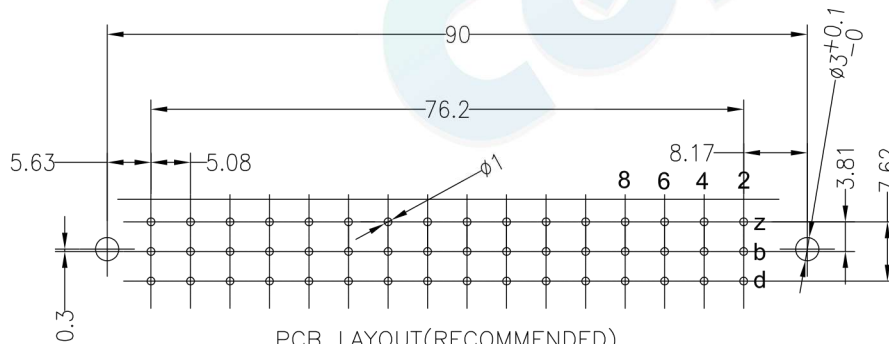
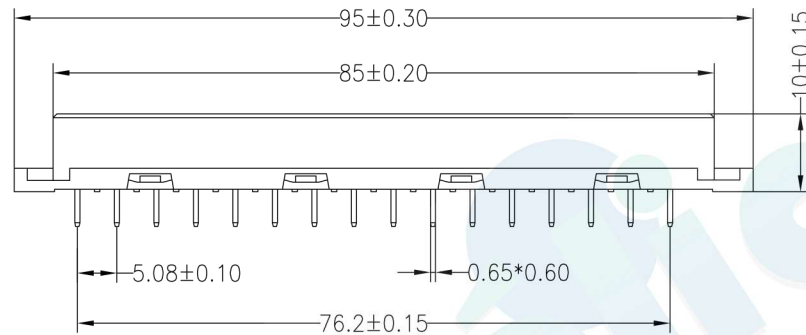
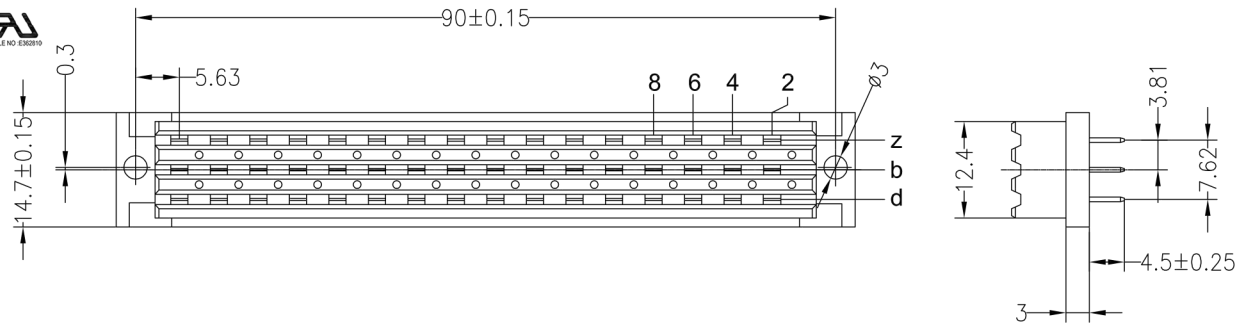
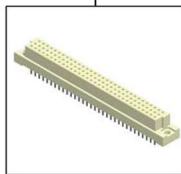
2. Number of pins

3. Contact type

- F= Female


4. Contact Plating

- A= Gold Flash
- B= Gold Flash/Tin
- C= 3U" Gold/Tin
- D= 5U" Gold/Tin
- E= 10U" Gold/Tin
- F= 15U" Gold/Tin
- G=30U" Gold/Tin
- H= Tin



PCB LAYOUT(RECOMMENDED)

(TOP VIEW TOL. :±0.05)

				OPERATION		DRAW	BEN	12.04.18	SCALE	FIT	 votre partenaire en électronique		
				X.X	±0.30				UNIT	mm			
				X.XX	±0.20	CHECK	SIZE	A4	PART NO.	3513DR3-48AFX 02			
				X.XXX	±0.10	APPROVE	SHEET	1/1	TITLE:	DIN 41612 of 5.08mm pitch large current F-type short plastic			
REV	DATE	MODIFICATION DESCRIPTION	CHANGE	DIM	TOL			PROJ.					