

# EJECTOR HEADER DIP CONNECTOR

## 3340 SERIES - 1.27MM PITCH

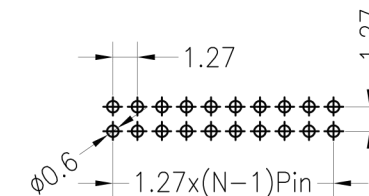


### Specifications

- Current rating: 1.0 Amps
- Contact resistance: 20mΩ max
- Withstand voltage: 500V AC/DC
- Insulation resistance: 1000MΩ min
- Operation temperature: -40°C to +105°C
- Contact material: Brass
- Contact plating: Au Or Sn Over Ni
- Insulator material: Polyester (UL94V-0)

- Standard: PA6T
- Max. processing Temp: 230°C for 30-60 seconds  
260°C for 10 seconds

Recommended P.C.B Layout (Top Side)  
(PCB BOARD TOLERANCE ±0.05)



### Ordering Information

**3340D - XX A B - G S**

1      2      3      4      5      6

#### 1. Connector Series

#### 2. Number of pins

#### 3. Contact Plating

- A=Gold Flash
- B= 1.5U" Gold
- C=2U" Gold
- D=3U" Gold
- E= 5U" Gold
- F= Gold Flash/Tin
- G=Tin

#### 4. Insulator Material Option

- A = BK-PBT
- B = BK-PA66
- C = BK-PA6T
- D=BK-PA46
- E=BK-PA9T
- F=BK-LCP

#### 5. Color type

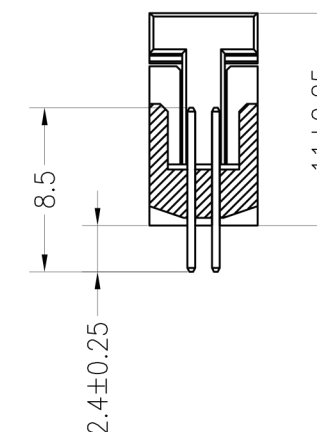
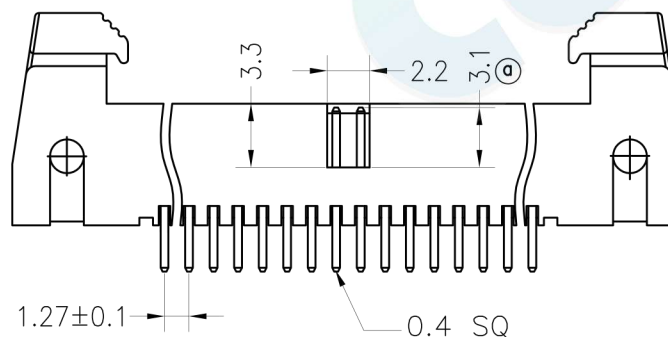
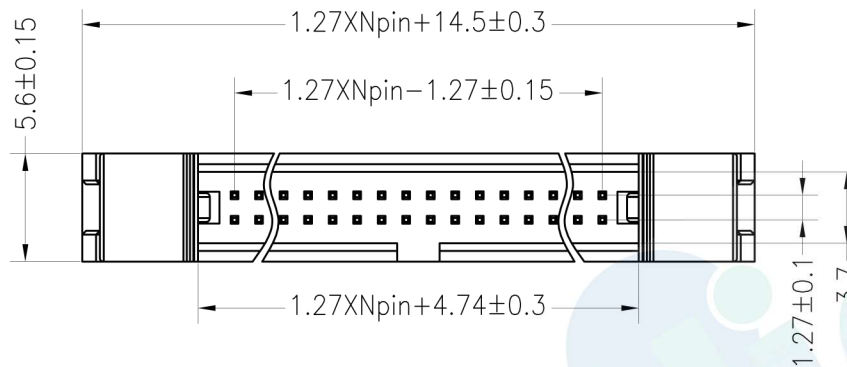
- B = Black
- G= Grey


#### 6. Latch Type

- S= Short Latch

#### (1). Packaging

Ø=PE Bag 1=Tray 2=Tube



				OPERATION		DRAW	BEN	12.04.18	SCALE	FIT	 votre partenaire en électronique		
				X.X	±0.30				UNIT	mm			
				X.XX	±0.20	CHECK	SIZE	A4	PART NO.	3340D-XXXX-XS			
				X.XXX	±0.10	APPROVE	SHEET	1/1	TITLE:	1.27DC2-Npin 180° L8.5			
REV	DATE	MODIFICATION DESCRIPTION	CHANGE	DIM	TOL	5	6	7	PROJ.				

# EJECTOR HEADER FOUR ROW FOOT

## 3340 SERIES - 1.27MM PITCH

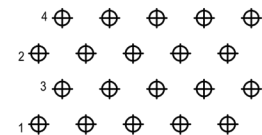


### Specifications

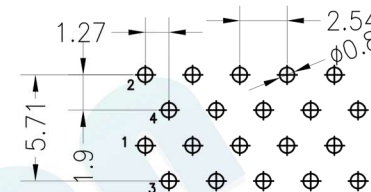
- Current rating: 1.0 Amps
- Contact resistance: 20mΩ max
- Withstand voltage: 500V AC/DC
- Insulation resistance: 1000MΩ min
- Operation temperature: -40°C to +105°C
- Contact material: Brass
- Contact plating: Au Or Sn Over Ni
- Insulator material: Polyester (UL94V-0)

- Standard: PA6T
- Max. processing Temp: 230°C for 30-60 seconds  
260°C for 10 seconds

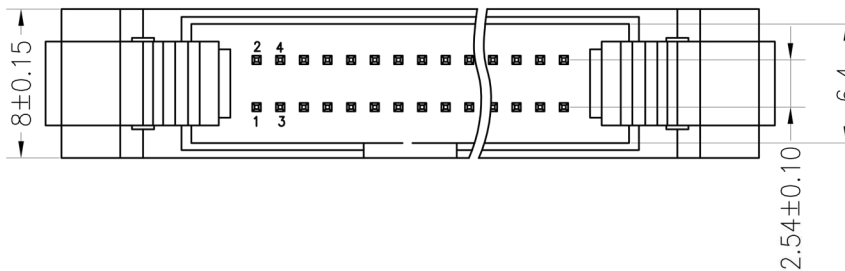
Recommended P.C.B Layout(Top Side)  
(PCB BOARD TOLERANCE±0.05)



TYPE 1



TYPE 2



### Ordering Information

**3340D - XX A B - G L 01**

1 2 3 4 5 6

#### 1. Connector Series

#### 2. Number of pins

#### 3. Contact Plating

- A=Gold Flash
- B= 5U" Gold
- C=10U" Gold
- D=15U" Gold
- E= 30U" Gold
- F= Gold Flash/Tin
- G=Tin

#### 4. Insulator Material Option

- A = BK-PBT
- B = BK-PA66
- C= BK-PA6T
- D=BK-PA46
- E=BK-PA9T
- F=BK-LCP

#### 5. Color type

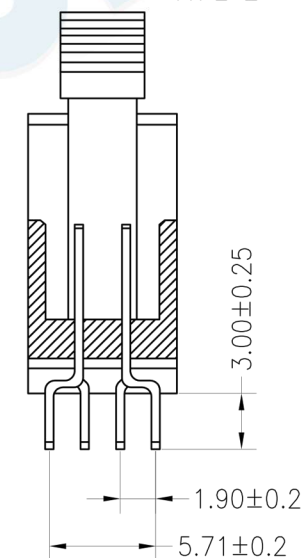
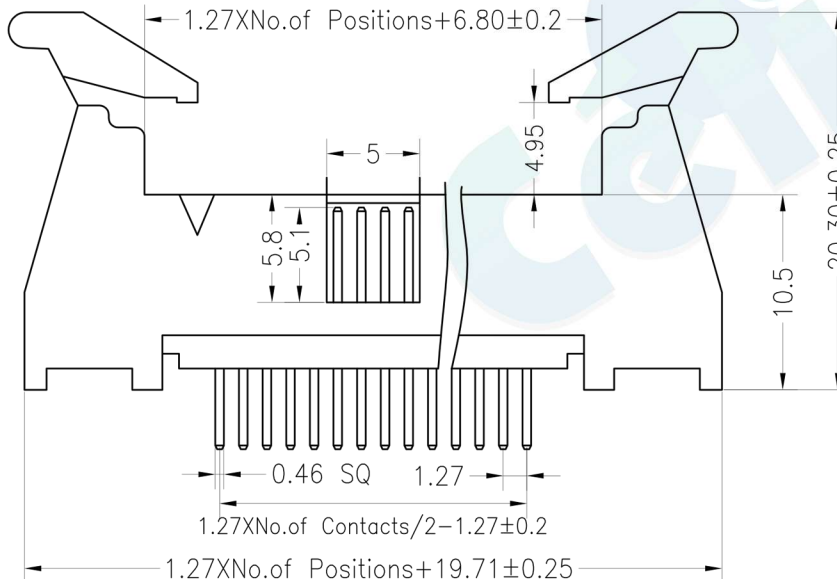
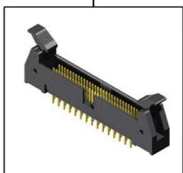
- B = Black
- G= Grey

#### 6. Latch Type

- L= Long Latch

#### (1). Packaging

1=Tray 2=Tube 3=Tube+Cap



### OPERATION

X.X	±0.30
X.XX	±0.20
X.XXX	±0.10
Angle	±3°
DIM	TOL

DRAW

BEN

12.04.18

SCALE

FIT

UNIT

mm

SIZE

A4

SHEET

1/1

PROJ.



PART NO.

3340D-XXXX-XL 01

TITLE:

1.27\*2.54mm ejector header Npin  
180° Four Row Foot

REV	DATE	MODIFICATION DESCRIPTION	CHANGE
A0	2012.04.18	NEW DRAWING	

# EJECTOR HEADER DIP CONNECTOR

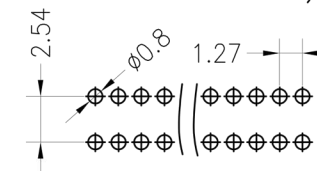
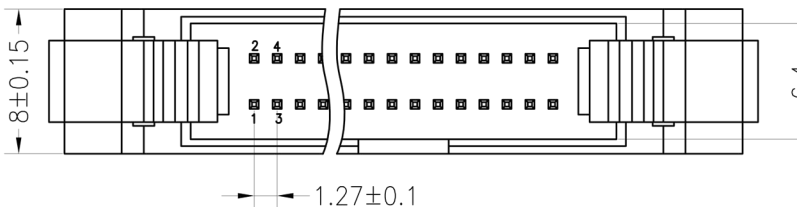
## 3340 SERIES - 1.27MM PITCH



### Specifications

- Current rating: 1.0 Amps
  - Contact resistance: 20mΩ max
  - Withstand voltage: 500V AC/DC
  - Insulation resistance: 1000MΩ min
  - Operation temperature: -40°C to +105°C
  - Contact material: Brass
  - Contact plating: Au Or Sn Over Ni
  - Insulator material: Polyester (UL94V-0)
- Standard: PA6T
  - Max. processing Temp: 230°C for 30-60 seconds  
260°C for 10 seconds

Recommended P.C.B Layout(Top Side)  
(PCB BOARD TOLERANCE±0.05)



### Ordering Information

**3340D - XX A B - G L 02**

1 2 3 4 5 6

#### 1. Connector Series

#### 2. Number of pins

#### 3. Contact Plating

- A=Gold Flash
- B= 5U" Gold
- C=10U" Gold
- D=15U" Gold
- E= 30U" Gold
- F= Gold Flash/Tin
- G=Tin

#### 4. Insulator Material Option

- A = BK-PBT
- B = BK-PA66
- C= BK-PA6T
- D=BK-PA46
- E=BK-LCP

#### 5. Color type

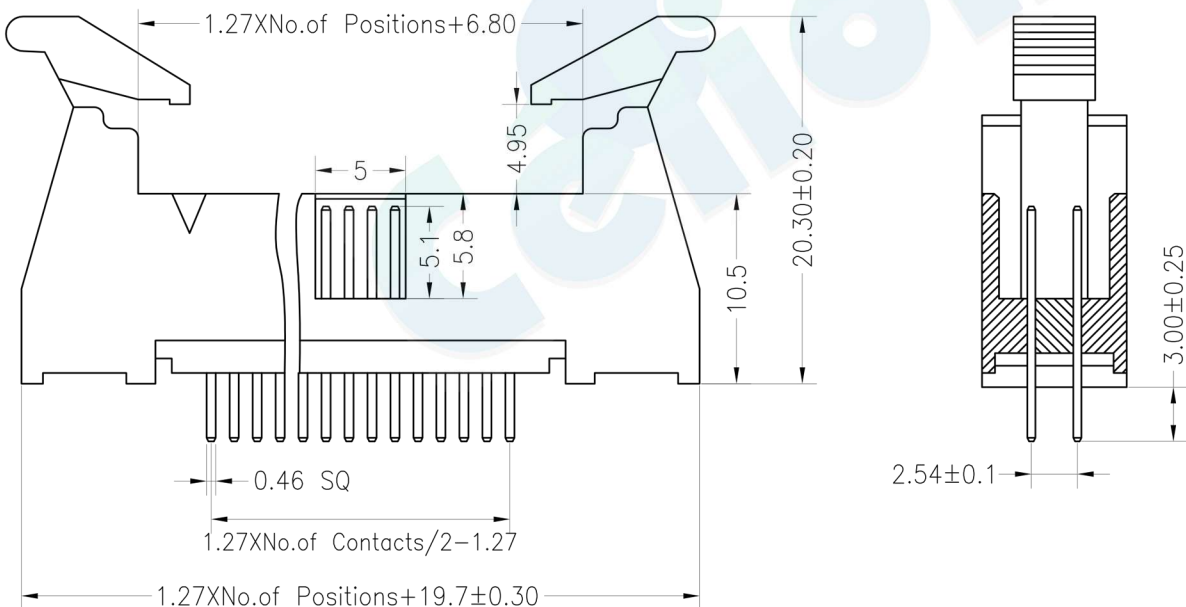
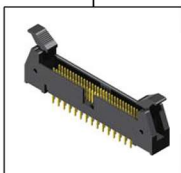
- B = Black
- G= Grey

#### 6. Latch Type

- L= Long Latch

#### (1). Packaging

1=Tray 2=Tube 3=Tube+Cap



				OPERATION		DRAW	BEN	12.04.18	SCALE	FIT		
				X.X	±0.30				UNIT	mm		
				X.XX	±0.20	CHECK			SIZE	A4	PART NO.	3340D-XXXX-XL 02
				X.XXX	±0.10				SHEET	1/1		
A0	2012.04.18	NEW DRAWING		Angle	±3°	APPROVE			PROJ.		TITLE:	1.27*2.54mm ejector header Npin 180°
REV	DATE	MODIFICATION DESCRIPTION		DIM	TOL							