

EJECTOR HEADER SMT RIGHT ANGLE LONG LATCH

3320 SERIES - 2.00MM PITCH



Specifications

- Current rating: 1.50 Amps
- Contact resistance: 20mΩ max
- Withstand voltage: 500V AC/DC
- Insulation resistance: 800MΩ min
- Operation temperature: -40°C to +105°C
- Contact material: Brass
- Contact plating: Au Or Sn Over Ni
- Insulator material: Polyester (UL94V-0)

- Standard: PA6T
- Max. processing Temp: 230°C for 30-60 seconds
260°C for 10 seconds

Ordering Information

3320SR - XX A B - G L

1
2
3
4
5
6

1. Connector Series

2. Number of pins

3. Contact Plating

- A=Gold Flash
- B= 2U" Gold
- C=5U" Gold
- D=10U" Gold
- E=15U" Gold
- F= 30U" Gold
- G=Gold Flash/Tin
- H= Tin

4. Insulator Material Option

- A = BK-PBT
- B = BK-PA66
- C= BK-PA6T
- D=BK-PA46
- E=BK-PA9T
- F=BK-LCP

5. Color type

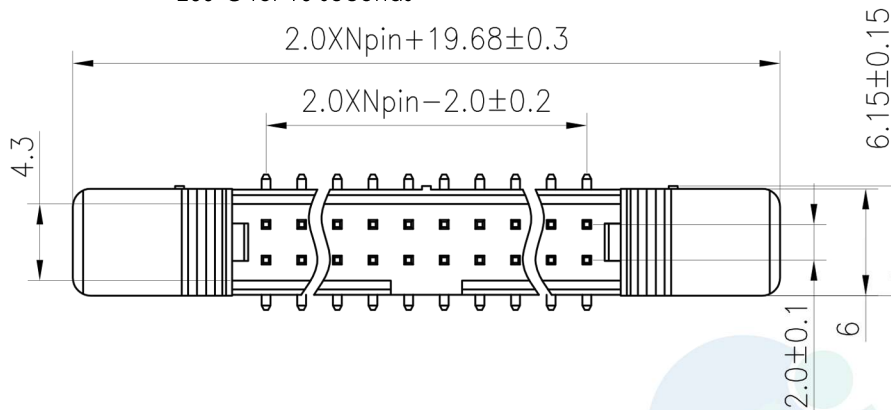
- B = Black
- G= Grey

6. Latch Type

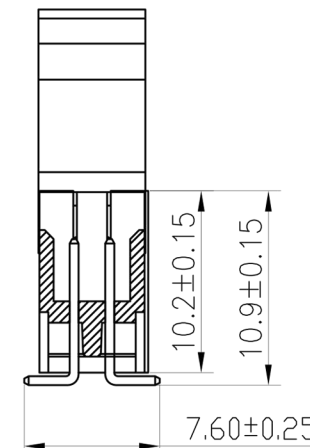
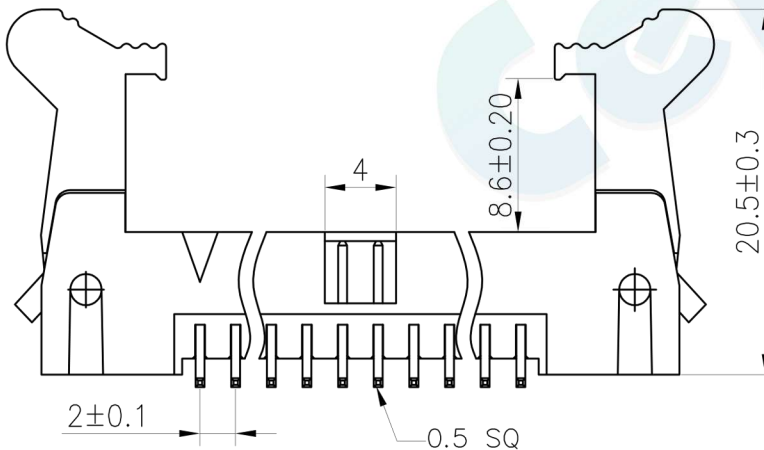
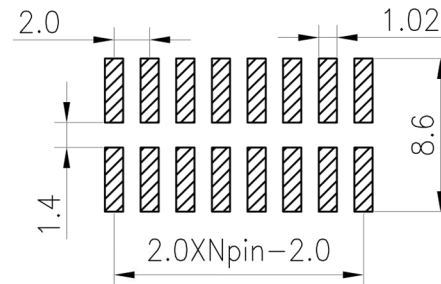
- L= Long Latch

(1). Packaging

Ø=PE Bag 1=Tray 2=Tube 3=Reel+Cap



Recommended P.C.B Layout(Top Side)
(PCB BOARD TOLERANCE±0.05)



				OPERATION		DRAW	BEN	12.04.18	SCALE	FIT	 votre partenaire en électronique	
				X.X	±0.30	CHECK			UNIT	mm		
				X.XX	±0.20				SIZE	A4		
				X.XXX	±0.10				SHEET	1/1	PART NO.	3320SR-XXXX-XL
A0	2012.04.18	NEW DRAWING		Angle	±3°	APPROVE			TITLE:	2.0 ejector header Npin SMT Long Latch		
REV	DATE	MODIFICATION DESCRIPTION		DIM	TOL			PROJ.				

EJECTOR HEADER SMT RIGHT ANGLE MIDDLE LATCH

3320 SERIES - 2.00MM PITCH

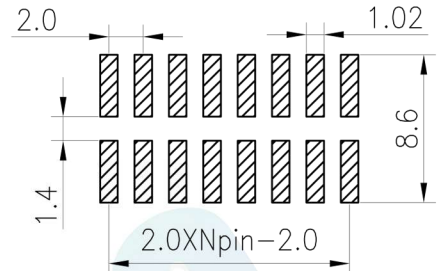
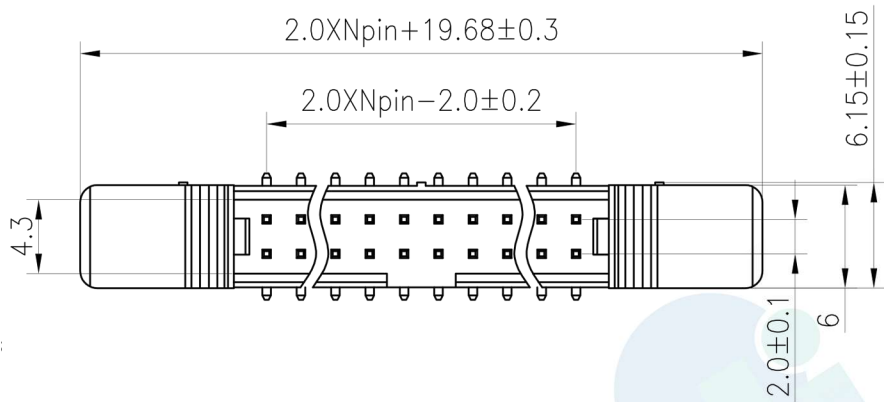


Specifications

- Current rating: 1.50 Amps
- Contact resistance: 20mΩ max
- Withstand voltage: 500V AC/DC
- Insulation resistance: 800MΩ min
- Operation temperature: -40°C to +105°C
- Contact material: Brass
- Contact plating: Au Or Sn Over Ni
- Insulator material: Polyester (UL94V-0)

- Standard: PA6T
- Max. processing Temp: 230°C for 30-60 seconds
260°C for 10 seconds

Recommended P.C.B Layout (Top Side)
(PCB BOARD TOLERANCE ±0.05)



Ordering Information

3320SR - XX A B - G M

1 2 3 4 5 6

1. Connector Series

2. Number of pins

3. Contact Plating

- A=Gold Flash • E=15U" Gold
- B= 2U" Gold • F= 30U" Gold
- C=5U" Gold • G=Gold Flash/Tin
- D=10U" Gold • H= Tin

4. Insulator Material Option

- A = BK-PBT • D=BK-PA46
- B = BK-PA66 • E=BK-PA9T
- C= BK-PA6T • F=BK-LCP

5. Color type

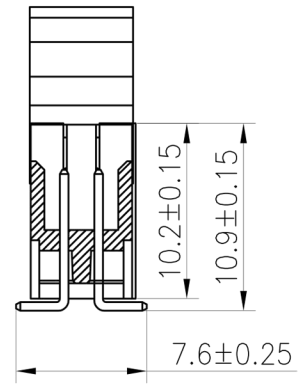
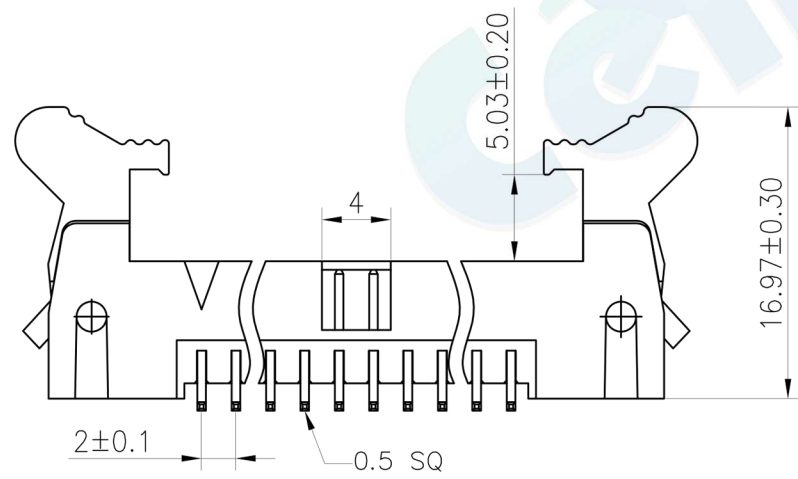
- B = Black
- G= Grey

6. Latch Type

- M= Middle Latch

(1). Packaging

Ø=PE Bag 1=Tray 2=Tube 3=Reel+Cap



				OPERATION		DRAW	BEN	12.04.18	SCALE	FIT	votre partenaire en électronique	
				X.X	±0.30							
				X.XX	±0.20	APPROVE	SIZE	A4				
A0	2012.04.18	NEW DRAWING		X.XXX	±0.10				PROJ.	SHEET	1/1	PART NO.
REV	DATE	MODIFICATION DESCRIPTION		Angle	±3°	TITLE:	2.0 ejector header Npin SMT Middle Latch					
				DIM	TOL							