

# EJECTOR HEADER RIGHT ANGLE LONG LATCH

## 3320 SERIES - 2.00MM PITCH



### Specifications

- Current rating: 1.50 Amps
  - Contact resistance: 20mΩ max
  - Withstand voltage: 500V AC/DC
  - Insulation resistance: 800MΩ min
  - Operation temperature: -40°C to +105°C
  - Contact material: Brass
  - Contact plating: Au Or Sn Over Ni
  - Insulator material: Polyester (UL94V-0)
- Standard: PA6T
  - Max. processing Temp: 230°C for 30-60 seconds  
260°C for 10 seconds

### Ordering Information

**3320DR - XX A B - G L**

1
2
3
4
5
6

#### 1. Connector Series

#### 2. Number of pins

#### 3. Contact Plating

- A=Gold Flash
- B= 2U" Gold
- C=5U" Gold
- D=10U" Gold
- E=15U" Gold
- F= 30U" Gold
- G=Gold Flash/Tin
- H= Tin

#### 4. Insulator Material Option

- A = BK-PBT
- B = BK-PA66
- C = BK-PA6T
- D=BK-PA46
- E=BK-PA9T
- F=BK-LCP

#### 5. Color type

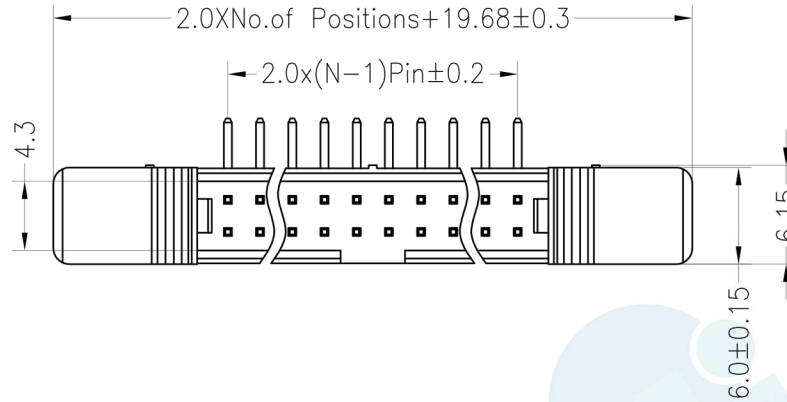
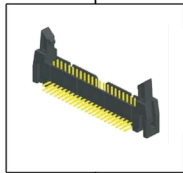
- B = Black
- G= Grey

#### 6. Latch Type

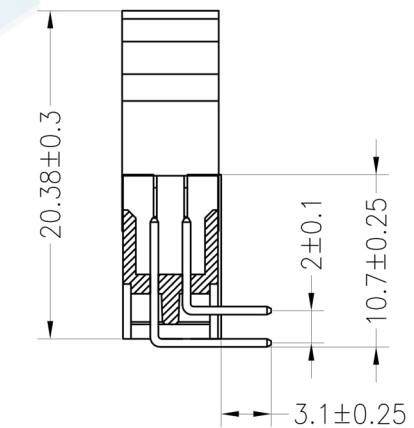
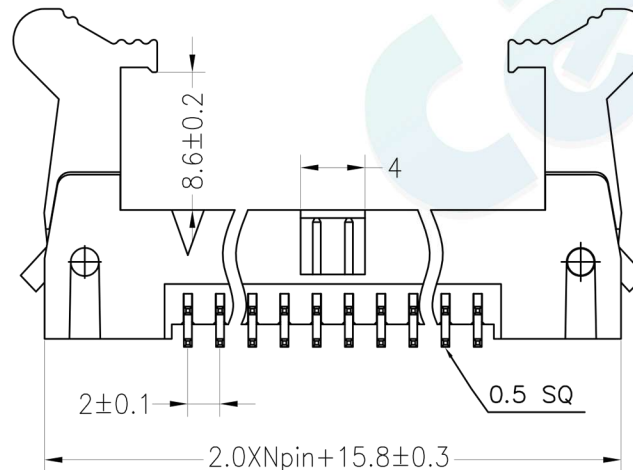
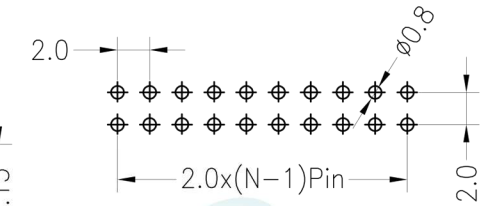
- L= Long Latch

#### (1). Packaging

Ø=PE Bag 1=Tray 2=Tube



Recommended P.C.B Layout(Top Side)  
(PCB BOARD TOLERANCE±0.05)



				OPERATION		DRAW	BEN	12.04.18	SCALE	FIT	 votre partenaire en électronique	
				X.X	±0.30				UNIT	mm		
				X.XX	±0.20	CHECK			SIZE	A4	PART NO.	3320DR-XXXX-XL
				X.XXX	±0.10				SHEET	1/1		
A0	2012.04.18	NEW DRAWING		Angle	±3°	APPROVE			PROJ.	◆	TITLE:	2.0 ejector header Npin 90° Long Latch
REV	DATE	MODIFICATION DESCRIPTION		DIM	TOL							

# EJECTOR HEADER RIGHT ANGLE MIDDLE LATCH

3320 SERIES - 2.00MM PITCH

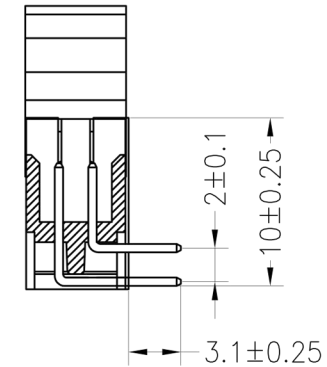
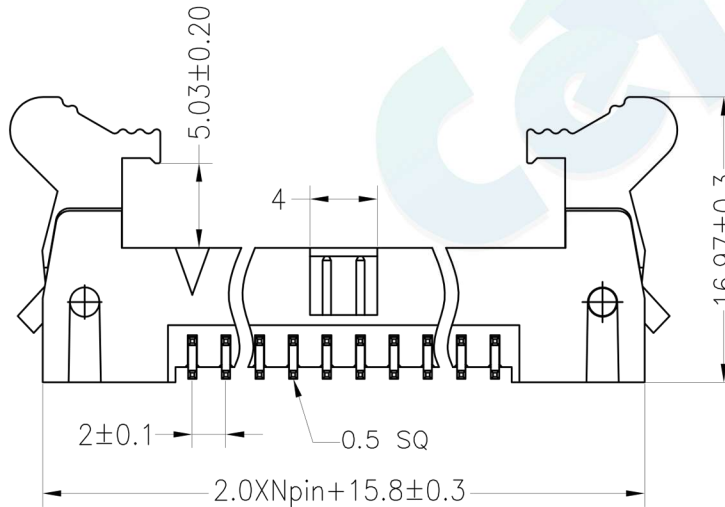
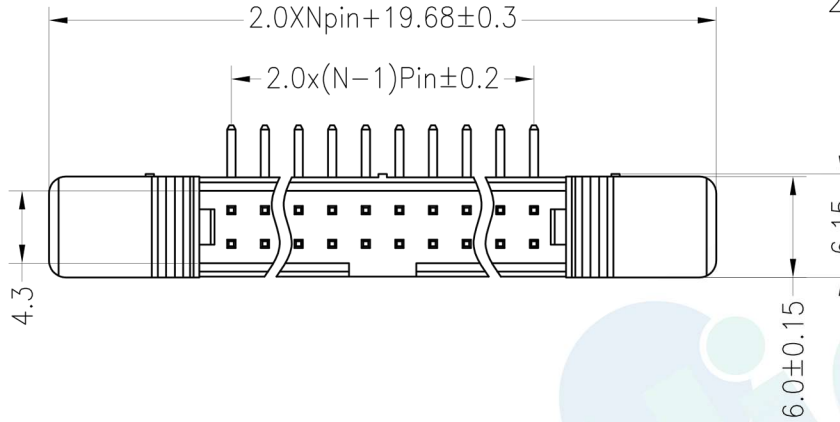
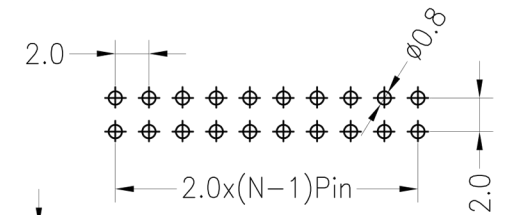


## Specifications

- Current rating: 1.50 Amps
- Contact resistance: 20mΩ max
- Withstand voltage: 500V AC/DC
- Insulation resistance: 800MΩ min
- Operation temperature: -40°C to +105°C
- Contact material: Brass
- Contact plating: Au Or Sn Over Ni
- Insulator material: Polyester (UL94V-0)

- Standard: PA6T
- Max. processing Temp: 230°C for 30-60 seconds  
260°C for 10 seconds

Recommended P.C.B Layout (Top Side)  
(PCB BOARD TOLERANCE ±0.05)



## Ordering Information

**3320DR - XX A B - G M**

1 2 3 4 5 6

### 1. Connector Series

### 2. Number of pins

### 3. Contact Plating

- A=Gold Flash
- B= 1.5U" Gold
- C=5U" Gold
- D=10U" Gold
- E=15U" Gold
- F= 30U" Gold
- G=Gold Flash/Tin
- H= Tin

### 4. Insulator Material Option

- A = BK-PBT
- B = BK-PA66
- C = BK-PA6T
- D=BK-PA46
- E=BK-PA9T
- F=BK-LCP

### 5. Color type

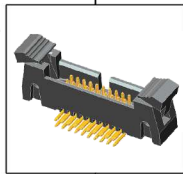
- B = Black
- G = Grey

### 6. Latch Type

- M= Middle Latch

### (1). Packaging

Ø=PE Bag 1=Tray 2=Tube



OPERATION		DRAW	BEN	12.04.18	SCALE	FIT
X.X	±0.30					
X.XX	±0.20	CHECK			UNIT	mm
X.XXX	±0.10					
Angle	±3°	APPROVE			SIZE	A4
DIM	TOL					
		PROJ.			SHEET	1/1



A0	2012.04.18	NEW DRAWING	
REV	DATE	MODIFICATION DESCRIPTION	CHANGE

PART NO.	3320DR-XXXX-XM
TITLE:	2.0 ejector header Npin 90° Middle Latch