

EJECTOR HEADER RIGHT ANGLE

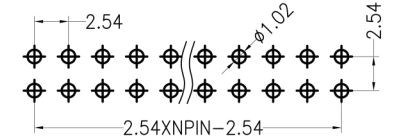
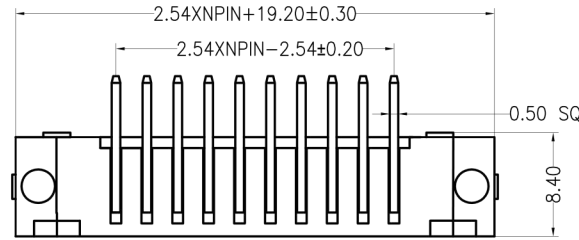
3311 SERIES - 2.54MM PITCH



Specifications

- Current rating: 3.0 Amps
- Contact resistance: 30mΩ max
- Withstand voltage: 1000V AC/DC
- Insulation resistance: 1000MΩ min
- Operation temperature: -40°C to +105°C
- Contact material: Brass
- Contact plating: Au Or Sn Over Ni
- Insulator material: Polyester (UL94V-0)
- Standard: PBT
- Max. processing Temp: 180°C for 30-60 seconds
200°C for 10 seconds

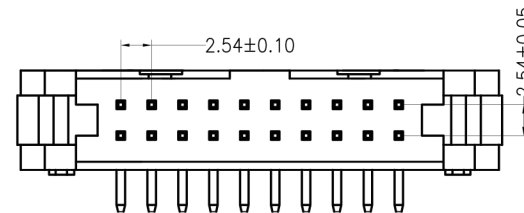
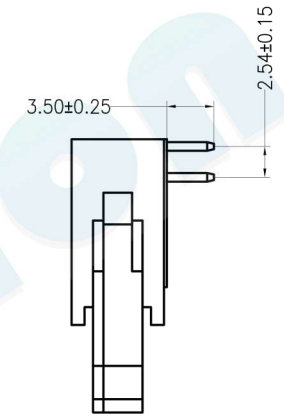
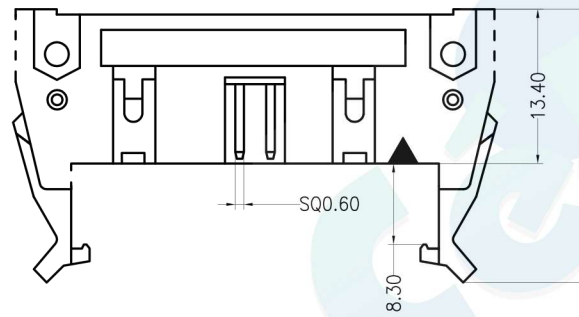
Recommended P.C.B Layout (Top Side)
(PCB BOARD TOLERANCE ±0.05)



Ordering Information

3311DR - XX A B - G L 01

1. Connector Series
2. Number of pins (12/14/16/20/26)
3. Contact Plating
 - A= Gold Flash
 - B= 1U" Gold
 - C= 1U" Gold/Tin
 - D= Tin
4. Insulator Material Option
 - A = BK-PBT
 - B = BK-PA66
 - C = BK-PA6T
 - D=BK-PA46
 - E=BK-PA9T
 - F=BK-LCP
5. Color Type
 - B = Black
 - G= Grey
6. Latch Type
 - L = Long latch
 - S = Short latch
 - Ø= Without latch



				OPERATION		DRAW	BEN	12.04.18	SCALE	FIT	 votre partenaire en électronique	
				X.X	±0.30				UNIT	mm		
				X.XX	±0.20	CHECK			SIZE	A4	PART NO.	3311DR-XXXX-XX
				X.XXX	±0.10				SHEET	1/1		
A0	2012.04.18	NEW DRAWING		Angle	±3°	APPROVE			PROJ.		TITLE:	2.54-NPIN 90°
REV	DATE	MODIFICATION DESCRIPTION		DIM	TOL							

EJECTOR HEADER RIGHT ANGLE

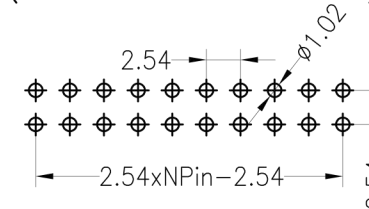
3311 SERIES - 2.54MM PITCH



Specifications

- Current rating: 3.0 Amps
- Contact resistance: 20mΩ max
- Withstand voltage: 1000V AC/DC
- Insulation resistance: 1000MΩ min
- Operation temperature: -40°C to +105°C
- Contact material: Brass
- Contact plating: Au Or Sn Over Ni
- Insulator material: Polyester (UL94V-0)
- Standard: PA6T
- Max. processing Temp: 230°C for 30-60 seconds
260°C for 10 seconds

Recommended P.C.B Layout (Top Side)
(PCB BOARD TOLERANCE ±0.05)



Ordering Information

3311DR - XX A B - G L 02

1
2
3
4
5
6

1. Connector Series

2. Number of pins (6→64)

3. Contact Plating

- A=Gold Flash
- B=3U" Gold
- C=5U" Gold
- D=10U" Gold
- E=15U" Gold
- F=30U" Gold
- G=Gold Flash/Tin
- H= Tin

4. Insulator Material Option

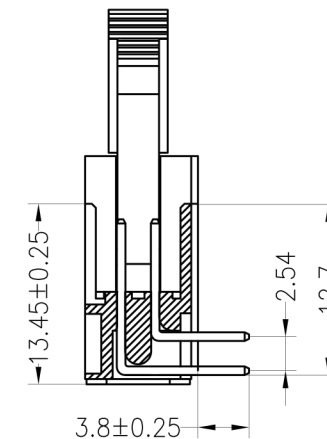
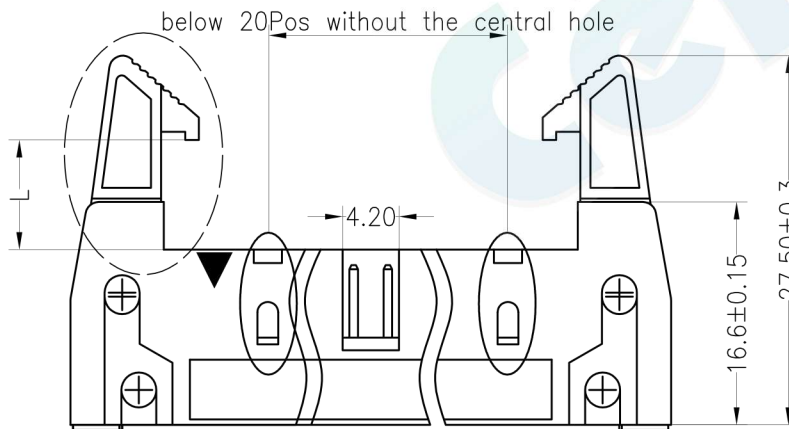
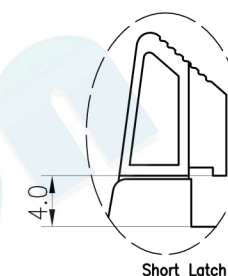
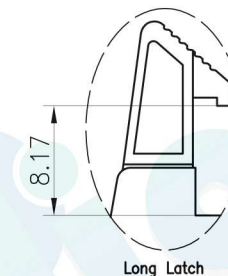
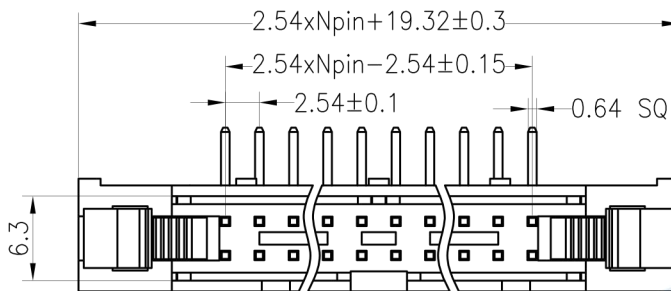
- A = BK-PBT
- B = BK-PA66
- C = BK-PA6T
- D=BK-PA46
- E=BK-PA9T
- F=BK-LCP

5. Color Type

- B = Black
- G = Grey

6. Latch Type

- L = Long latch
- S = Short latch
- Ø = Without latch



				OPERATION		DRAW	BEN	12.04.18	SCALE	FIT	 votre partenaire en électronique	
				X.X	±0.30				UNIT	mm		
				X.XX	±0.20	CHECK			SIZE	A4	PART NO.	3311DR-XXXX-XX 02
				X.XXX	±0.10				SHEET	1/1		
A0	2012.04.18	NEW DRAWING		Angle	±3°	APPROVE			PROJ.	◆	TITLE:	2.54 ejector header Npin 90°
REV	DATE	MODIFICATION DESCRIPTION		DIM	TOL						5	6