

BOX HEADER CONNECTOR SMT

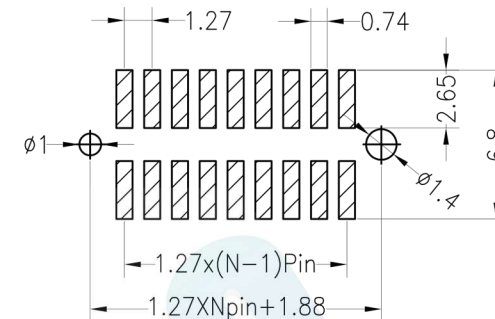
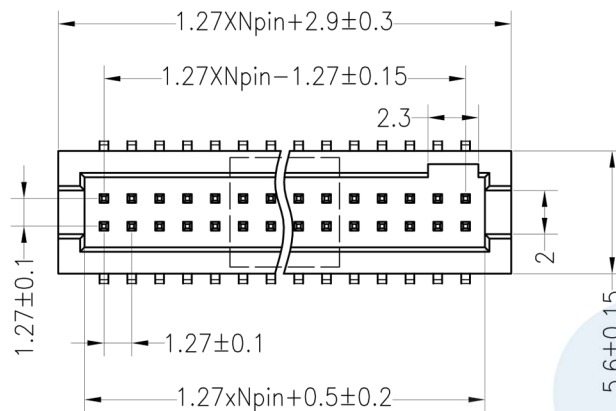
3234 SERIES - 1.27MM PITCH



Specifications

- Current rating: 1.0 Amps
 - Contact resistance: 20mΩ max
 - Withstand voltage: 500V AC/DC
 - Insulation resistance: 1000MΩ min
 - Operation temperature: -40°C to +105°C
 - Contact material: Brass
 - Contact plating: Au Or Sn Over Ni
 - Insulator material: Polyester (UL94V-0)
 - Standard: PA6T
- Max. processing Temp: 230°C for 30-60 seconds
 - 260°C for 10 seconds

Recommended P.C.B Layout (Top Side)
(PCB BOARD TOLERANCE ±0.05)



Ordering Information

3234S - XX A B 03 (1)

1. Connector Series

2. Number of pins (10→100P)

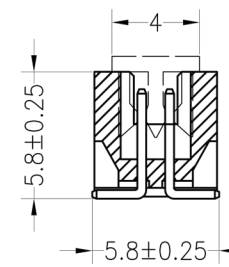
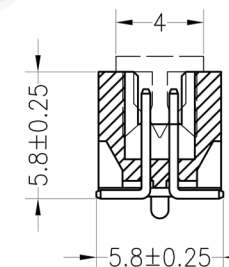
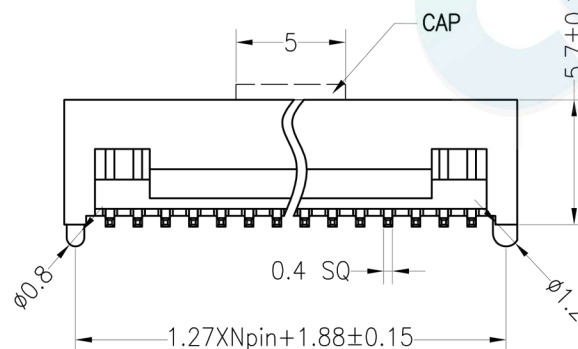
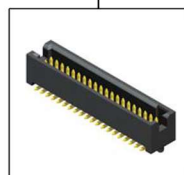
3. Contact Plating

- A=Gold Flash
- B= 3U" Gold
- C=5U" Gold
- D=10U" Gold
- E= 15U" Gold
- F= 30U" Gold
- G=Gold Flash/Tin
- H=Tin

4. Insulator Material Option

- A =BK-PBT
- B =BK-PA66
- C= BK-PA6T
- D= BK-PA46
- E= BK-PA9T
- F= BK-LCP

(1).Packaging Ø=PE 1=Tray 2=Tube 3=Tube+Cap 4=Reel+Cap



TYPE2 With Post

TYPE1 Without Post

				OPERATION		DRAW	BEN	12.04.18	SCALE	FIT	 votre partenaire en électronique						
				X.X	±0.30								CHECK			UNIT	mm
				X.XX	±0.20	APPROVE			SIZE	A4	TITLE:	1.27Box Header Npin H5.7 SMT					
				X.XXX	±0.10												
A0	2012.04.18	NEW DRAWING															
REV	DATE	MODIFICATION DESCRIPTION		CHANGE													

BOX HEADER CONNECTOR SMT

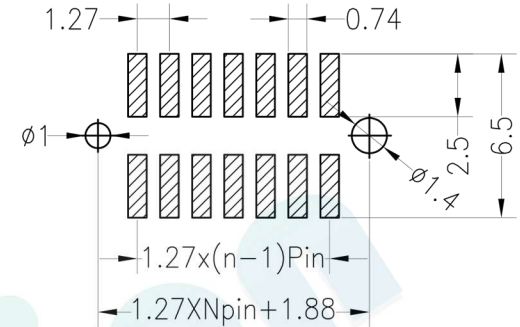
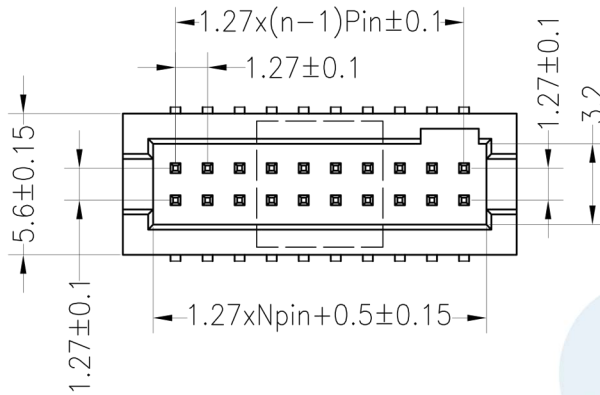
3234 SERIES - 1.27MM PITCH



Specifications

- Current rating: 1.0 Amps
 - Contact resistance: 20mΩ max
 - Withstand voltage: 500V AC/DC
 - Insulation resistance: 1000MΩ min
 - Operation temperature: -40°C to +105°C
 - Contact material: Brass
 - Contact plating: Au Or Sn Over Ni
 - Insulator material: Polyester (UL94V-0)
 - Standard: PA6T
- Max. processing Temp: 230°C for 30-60 seconds
260°C for 10 seconds

Recommended P.C.B Layout (Top Side)
(PCB BOARD TOLERANCE ±0.05)



Ordering Information

3234S - XX A B 05 (1)

1 2 3 4

1. Connector Series

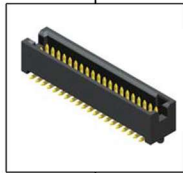
2. Number of pins (10 → 100P)

3. Contact Plating

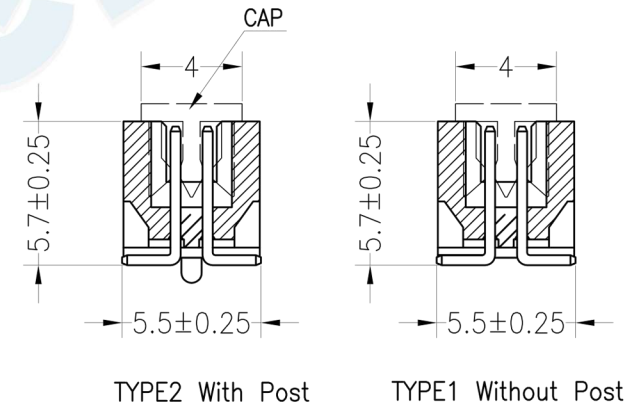
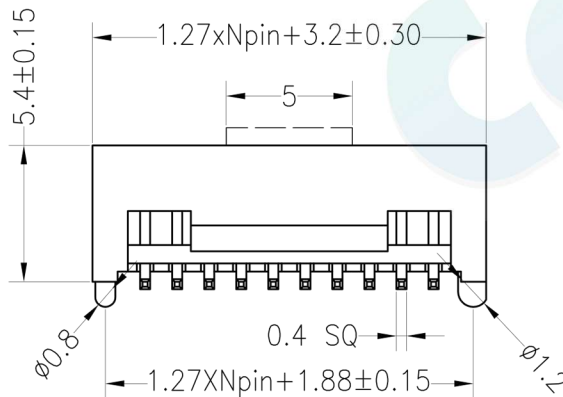
- A=Gold Flash
- B= 3U" Gold
- C=5U" Gold
- D=10U" Gold
- E= 15U" Gold
- F= 30U" Gold
- G=Gold Flash/Tin
- H= Tin

4. Insulator Material Option

- A =BK-PBT
- B =BK-PA66
- C = BK-PA6T
- D = BK-PA46
- E = BK-PA9T
- F = BK-LCP



(1).Packaging Ø=PE 1=Tray 2=Tube 3=Tube+Cap 4=Reel+Cap



OPERATION

X.X	±0.30
X.XX	±0.20
X.XXX	±0.10
Angle	±3°
DIM	TOL

DRAW

BEN

12.04.18

SCALE

FIT

UNIT

mm

SIZE

A4

SHEET

1/1

PROJ.



PART NO.

3234S-XXXX 05 (1)

TITLE:

1.27Box Header Npin H5.4 SMT

REV	DATE	MODIFICATION DESCRIPTION	CHANGE	OPERATION	DRAW	BEN	12.04.18	SCALE	FIT	PART NO.	TITLE:
A0	2012.04.18	NEW DRAWING		X.X						3234S-XXXX 05 (1)	1.27Box Header Npin H5.4 SMT