

# BOX HEADER CONNECTOR SMT

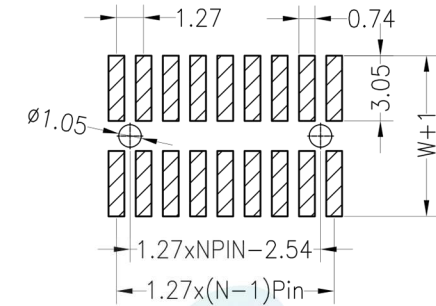
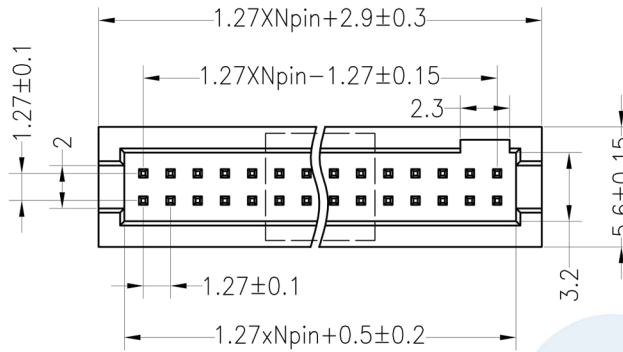
## 3234 SERIES - 1.27MM PITCH



### Specifications

- Current rating: 1.0 Amps
  - Contact resistance: 20mΩ max
  - Withstand voltage: 500V AC/DC
  - Insulation resistance: 1000MΩ min
  - Operation temperature: -40°C to +105°C
  - Contact material: Brass
  - Contact plating: Au Or Sn Over Ni
  - Insulator material: Polyester (UL94V-0)
  - Standard: PA6T
- Max. processing Temp: 230°C for 30-60 seconds  
260°C for 10 seconds

Recommended P.C.B Layout (Top Side)  
(PCB BOARD TOLERANCE ±0.05)



### Ordering Information

**3234S - XX A B 04 (1)**

#### 1. Connector Series

#### 2. Number of pins (10→100P)

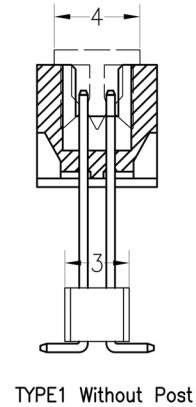
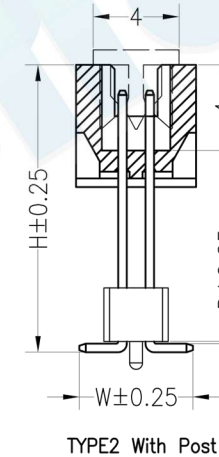
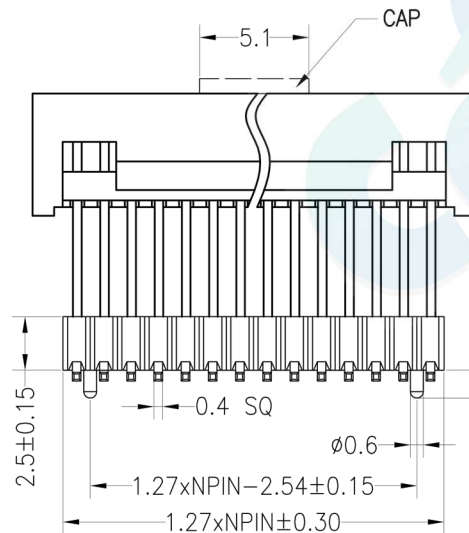
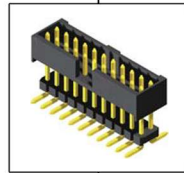
#### 3. Contact Plating

- A=Gold Flash
- B= 3U" Gold
- C=5U" Gold
- D=10U" Gold
- E= 15U" Gold
- F= 30U" Gold
- G=Gold Flash/Tin
- H= Tin

#### 4. Insulator Material Option

- A =BK-PBT
- B =BK-PA66
- C= BK-PA6T
- D= BK-PA46
- E= BK-PA9T
- F= BK-LCP

(1).Packaging Ø=PE 1=Tray 2=Tube 3=Tube+Cap 4=Reel+Cap



Dimension antitheses list			
ITEM	H	W	D
Standard		6.50	0.10
Alternate			

				OPERATION		DRAW	BEN	12.04.18	SCALE	FIT	 votre partenaire en électronique	
				X.X	±0.30							
				X.XX	±0.20	CHECK			UNIT	mm	PART NO.	3234S-XXXX 04 (1)
				X.XXX	±0.10							
A0	2012.04.18	NEW DRAWING		Angle	±3°	APPROVE			SHEET	1/1	TITLE:	1.27Box Header Npin H5.7+H2.5 SMT
REV	DATE	MODIFICATION DESCRIPTION		DIM	TOL							