

# BOX HEADER CONNECTOR SMT

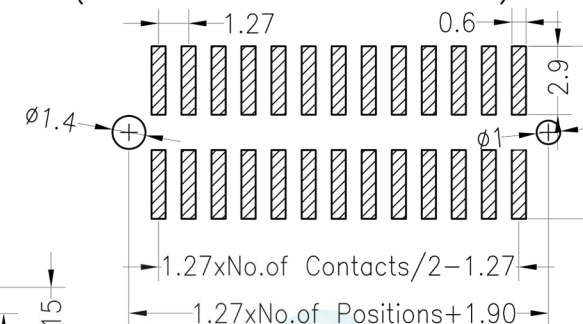
## 3234 SERIES - 1.27MM PITCH



### Specifications

- Current rating: 1.0 Amps
- Contact resistance: 20mΩ max
- Withstand voltage: 500V AC/DC
- Insulation resistance: 1000MΩ min
- Operation temperature: -40°C to +105°C
- Contact material: Brass
- Contact plating: Au Or Sn Over Ni
- Insulator material: Polyester (UL94V-0)
- Standard: PA6T
- Max. processing Temp: 230°C for 30-60 seconds  
260°C for 10 seconds

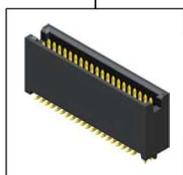
Recommended P.C.B Layout (Top Side)  
(PCB BOARD TOLERANCE ±0.05)



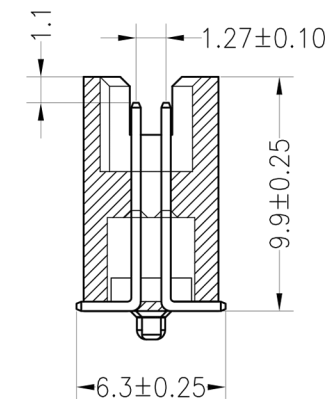
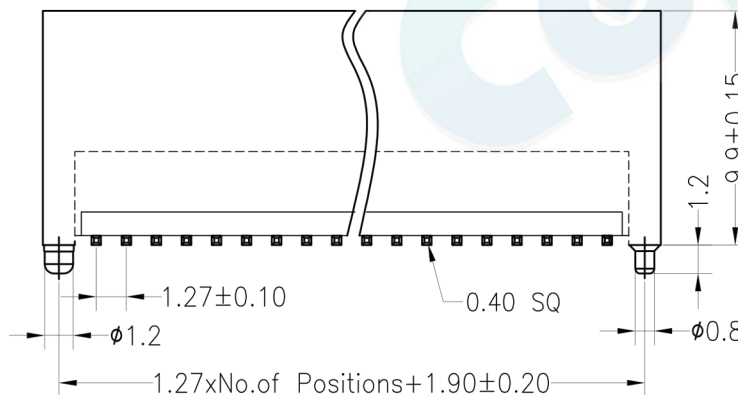
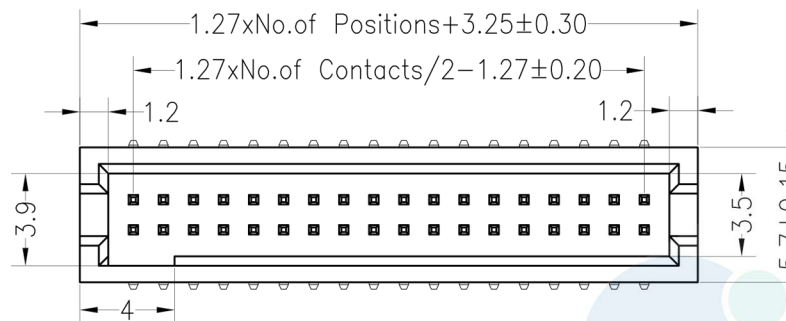
### Ordering Information

**3234S - XX A B 01 (1)**

1. Connector Series
2. Number of pins (10→100P)
3. Contact Plating
  - A=Gold Flash
  - B= 3U" Gold
  - C=5U" Gold
  - D=10U" Gold
  - E= 15U" Gold
  - F= 30U" Gold
  - G=Gold Flash/Tin
  - H= Tin
4. Insulator Material Option
  - A =BK-PBT
  - B =BK-PA66
  - C= BK-PA6T
  - D= BK-PA46
  - E= BK-PA9T
  - F= BK-LCP



(1).Packaging Ø=PE 1=Tray 2=Tube 3=Tube+Cap 4=Reel+Cap



|     |            |                          |        |           |       |         |       |          |                                 |      |                                      |  |
|-----|------------|--------------------------|--------|-----------|-------|---------|-------|----------|---------------------------------|------|--------------------------------------|--|
|     |            |                          |        | OPERATION |       | DRAW    | BEN   | 12.04.18 | SCALE                           | FIT  | <br>votre partenaire en électronique |  |
|     |            |                          |        | X.X       | ±0.30 |         |       |          | CHECK                           | UNIT |                                      |  |
|     |            |                          |        | X.XX      | ±0.20 | APPROVE | SIZE  | A4       |                                 |      |                                      |  |
| A0  | 2012.04.18 | NEW DRAWING              |        | X.XXX     | ±0.10 |         | SHEET | 1/1      |                                 |      |                                      |  |
| REV | DATE       | MODIFICATION DESCRIPTION | CHANGE | Angle     | ±3°   | PROJ.   | ◆     | PART NO. | 3234S-XXXX 01 (1)               |      |                                      |  |
|     |            |                          |        | DIM       | TOL   |         |       | TITLE:   | 1.27 BOX HEADER H9.9 SMT L=11.0 |      |                                      |  |

# BOX HEADER CONNECTOR SMT

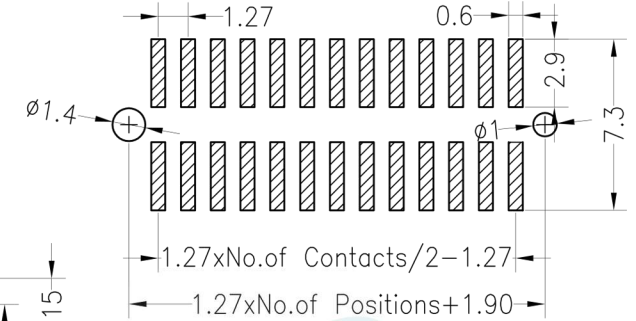
## 3234 SERIES - 1.27MM PITCH



### Specifications

- Current rating: 1.0 Amps
- Contact resistance: 20mΩ max
- Withstand voltage: 500V AC/DC
- Insulation resistance: 1000MΩ min
- Operation temperature: -40°C to +105°C
- Contact material: Brass
- Contact plating: Au Or Sn Over Ni
- Insulator material: Polyester (UL94V-0)
- Standard: PA6T
- Max. processing Temp: 230°C for 30-60 seconds  
260°C for 10 seconds

Recommended P.C.B Layout (Top Side)  
(PCB BOARD TOLERANCE ±0.05)



### Ordering Information

**3234S - XX A B 02 (1)**

1 2 3 4

#### 1. Connector Series

#### 2. Number of pins (10→100P)

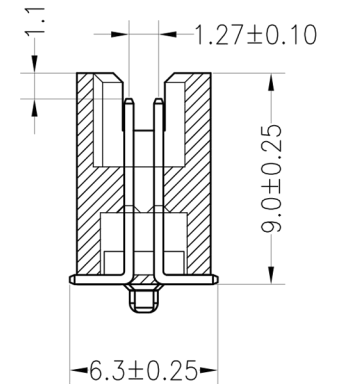
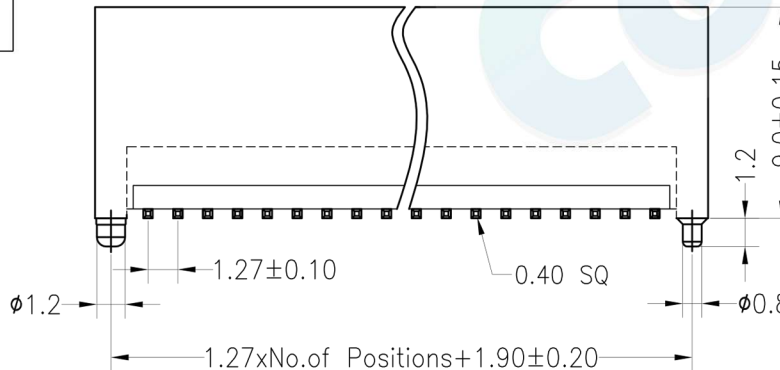
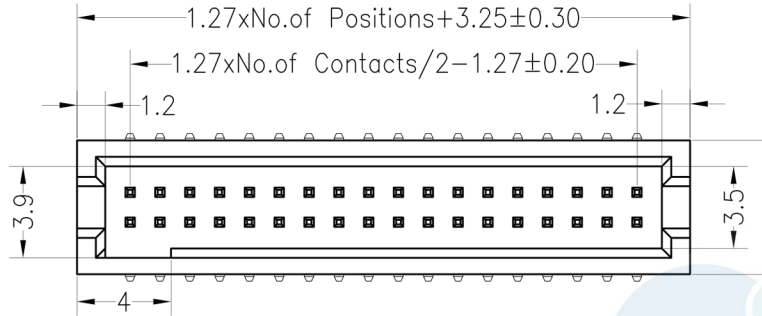
#### 3. Contact Plating

- A=Gold Flash
- B= 3U" Gold
- C=5U" Gold
- D=10U" Gold
- E= 15U" Gold
- F= 30U" Gold
- G=Gold Flash/Tin
- H=Tin

#### 4. Insulator Material Option

- A =BK-PBT
- B =BK-PA66
- C= BK-PA6T
- D= BK-PA46
- E= BK-PA9T
- F= BK-LCP

(1).Packaging Ø=PE 1=Tray 2=Tube 3=Tube+Cap 4=Reel+Cap



### OPERATION

|       |       |
|-------|-------|
| X.X   | ±0.30 |
| X.XX  | ±0.20 |
| X.XXX | ±0.10 |
| Angle | ±3°   |
| DIM   | TOL   |

DRAW  
CHECK  
APPROVE

BEN

12.04.18

SCALE  
FIT  
UNIT  
mm  
SIZE  
A4  
SHEET  
1/1  
PROJ.



PART NO.  
TITLE:

3234S-XXXX 02 (1)

1.27 BOX HEADER H9.0 SMT L=10.2

| REV | DATE       | MODIFICATION DESCRIPTION | CHANGE | DIM | TOL | OPERATION | DRAW | BEN | 12.04.18 | SCALE | FIT | PART NO.          | TITLE:                          |
|-----|------------|--------------------------|--------|-----|-----|-----------|------|-----|----------|-------|-----|-------------------|---------------------------------|
| A0  | 2012.04.18 | NEW DRAWING              |        |     |     | X.X       |      |     |          |       |     | 3234S-XXXX 02 (1) | 1.27 BOX HEADER H9.0 SMT L=10.2 |