

BOX HEADER CONNECTOR RIGHT ANGLE

3214 SERIES - 2.54MM PITCH



Specifications

- Current rating: 3.0 Amps
 - Contact resistance: 20mΩ max
 - Withstand voltage: 1000V AC/DC
 - Insulation resistance: 1000MΩ min
 - Operation temperature: -40°C to +105°C
 - Contact material: Brass
 - Contact plating: Au Or Sn Over Ni
 - Insulator material: Polyester (UL94V-0)
 - Standard: PBT
- Max. processing Temp: 180°C for 30-60 seconds
200°C for 10 seconds

Ordering Information

3214DR - XX A B 01 (1)

1 2 3 4

1. Connector Series

2. Number of pins (12→68P)

3. Contact Plating

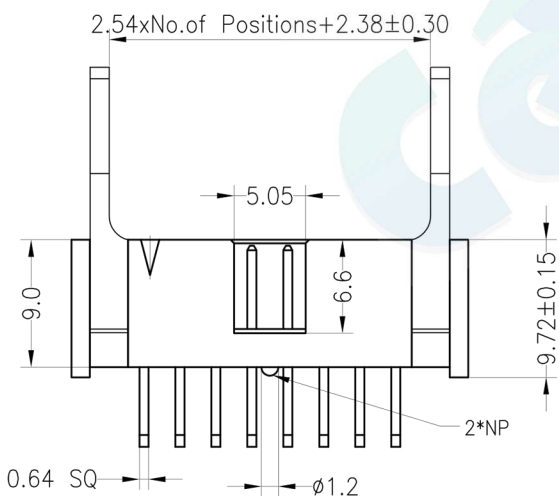
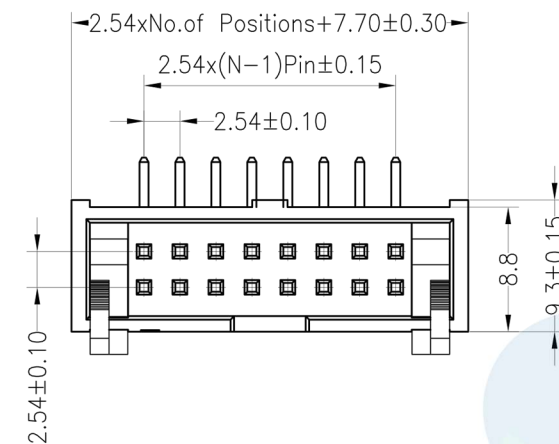
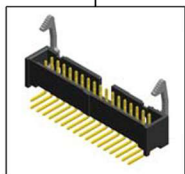
- A=Gold Flash
- B= 3U" Gold
- C=5U" Gold
- D=10U" Gold
- E= 15U" Gold
- F= 30U" Gold
- G=Gold Flash/Tin
- H=Tin

4. Insulator Material Option

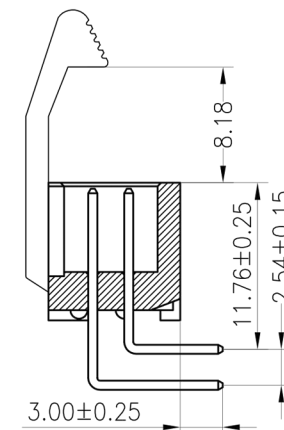
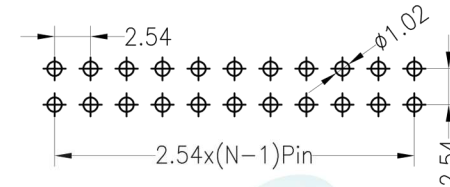
- A = BK-PBT • D=BK-PA46
- B = BK-PA66 • E=BK-PA9T
- C= BK-PA6T • F=BK-LCP

(1). Packaging

Ø=PE Bag 1=Tray 2=Tube 3=Tube+Cap



Recommended P.C.B Layout(Top Side)
(PCB BOARD TOLERANCE±0.05)



				OPERATION		DRAW	BEN	12.04.18	SCALE	FIT	 votre partenaire en électronique	
				X.X	±0.30				UNIT	mm		
				X.XX	±0.20	CHECK			SIZE	A4	PART NO.	3214DR-XXXX 01 (1)
				X.XXX	±0.10				SHEET	1/1		
A0	2012.04.18	NEW DRAWING		Angle	±3°	APPROVE			PROJ.	◆	TITLE:	2.54mm 90°
REV	DATE	MODIFICATION DESCRIPTION		DIM	TOL							