

BOX HEADER CONNECTOR STRAIGHT

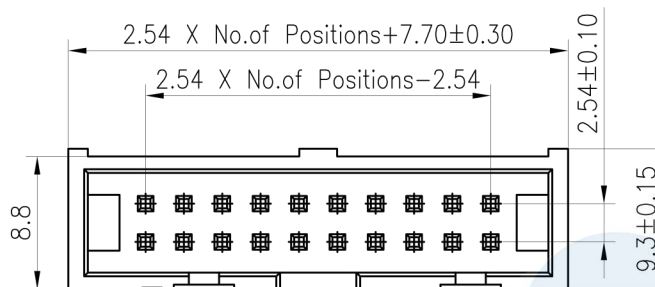
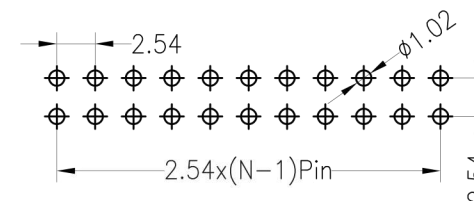
3214 SERIES - 2.54MM PITCH



Specifications

- Current rating: 3.0 Amps
 - Contact resistance: 20mΩ max
 - Withstand voltage: 1000V AC/DC
 - Insulation resistance: 1000MΩ min
 - Operation temperature: -40°C to +105°C
 - Contact material: Brass
 - Contact plating: Au Or Sn Over Ni
 - Insulator material: Polyester (UL94V-0)
 - Standard: PBT
- Max. processing Temp: 230°C for 30-60 seconds
260°C for 10 seconds

Recommended P.C.B Layout (Top Side)
(PCB BOARD TOLERANCE ±0.05)



Ordering Information

3214D - XX A B 01 (1)

1
2
3
4

1. Connector Series

2. Number of pins

3. Contact Plating

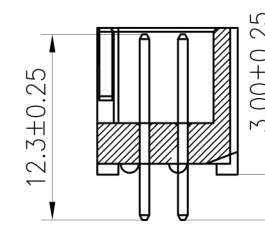
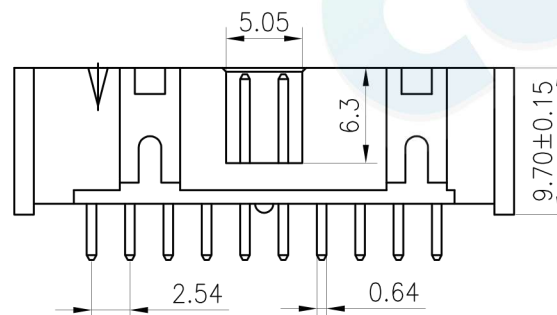
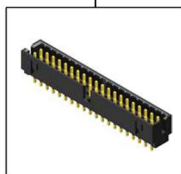
- A=Gold Flash
- B= 1U" Gold
- C=1.5U" Gold
- D=2U" Gold
- E= 3U" Gold
- F= 5U" Gold
- G= Gold Flash/Tin
- H= Tin


4. Insulator Material Option

- A = BK-PBT
- B = BK-PA66
- C = BK-PA6T
- D = BK-PA46
- E = BK-PA9T
- F = BK-LCP

(1). Packaging

Ø=PE Bag 1=Tray 2=Tube



				OPERATION		DRAW	BEN	12.04.18	SCALE	FIT			
				X.X	±0.30				UNIT	mm			
				X.XX	±0.20	CHECK		SIZE	A4	PART NO.			3214D-XXXX 01 (1)
				X.XXX	±0.10	APPROVE		SHEET	1/1	TITLE:			2.54DC3-NPIN H9.7 180°
REV	DATE	MODIFICATION DESCRIPTION	CHANGE	DIM	TOL				PROJ.				

BOX HEADER CONNECTOR DIP

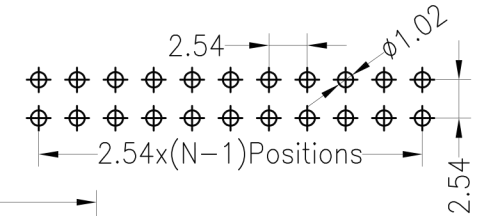
3214 SERIES - 2.54MM PITCH



Specifications

- Current rating: 3.0 Amps
 - Contact resistance: 20mΩ max
 - Withstand voltage: 1000V AC/DC
 - Insulation resistance: 1000MΩ min
 - Operation temperature: -40°C to +105°C
 - Contact material: Brass
 - Contact plating: Au Or Sn Over Ni
 - Insulator material: Polyester (UL94V-0)
 - Standard: PBT
- Max. processing Temp: 180°C for 30-60 seconds
200°C for 10 seconds

Recommended P.C.B Layout (Top Side)
(PCB BOARD TOLERANCE ±0.05)



Ordering Information

3214D - XX A B 05 (1)

1 2 3 4

1. Connector Series

2. Number of pins (6→64P)

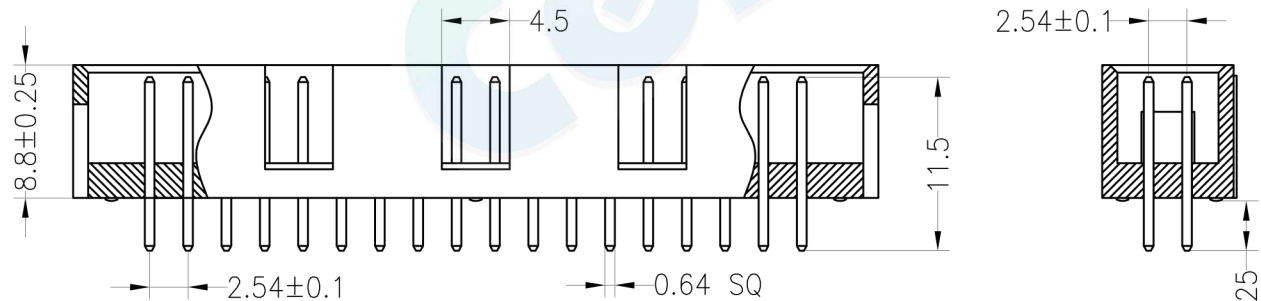
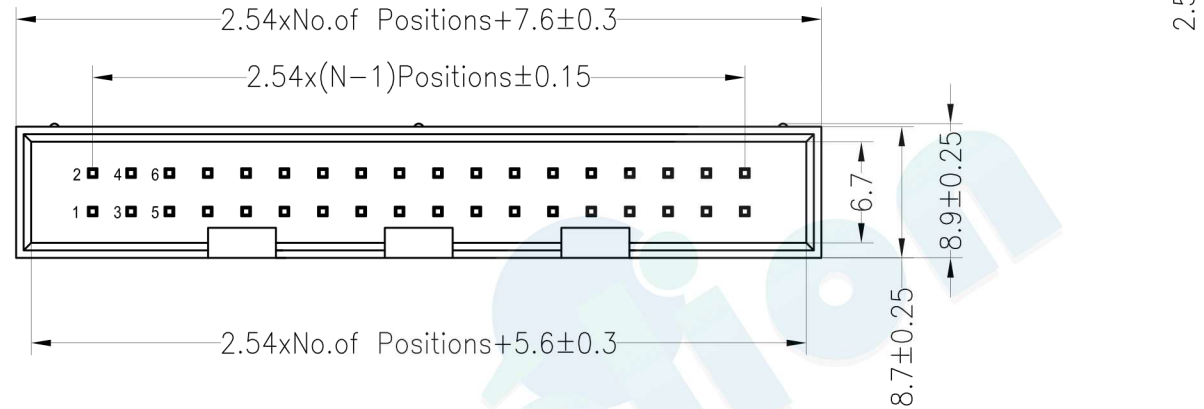
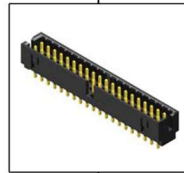
3. Contact Plating

- A=Gold Flash
- B= 3U" Gold
- C= 5U" Gold
- D=10U" Gold
- E=15U" Gold
- F= 30U" Gold
- G=Gold Flash/Tin
- H= Tin

4. Insulator Material Option

- A =BK-PBT
- B =BK-PA66
- C= BK-PA6T
- D= BK-PA46
- E= BK-LCP

(1). Packaging Ø=PE Bag 1=Tube 2=Tray 3=Tube+Cap



OPERATION

X.X	±0.30
X.XX	±0.20
X.XXX	±0.10
Angle	±3°
DIM	TOL

DRAW
CHECK
APPROVE

BEN

12.04.18

SCALE
FIT
UNIT
mm
SIZE
A4
SHEET
1/1
PROJ.



PART NO. 3214D-XXXX 05 (1)
TITLE: 2.54DC3-60P/64P H8.8mm 180°

REV	DATE	MODIFICATION DESCRIPTION	CHANGE
A0	2012.04.18	NEW DRAWING	

BOX HEADER CONNECTOR DIP

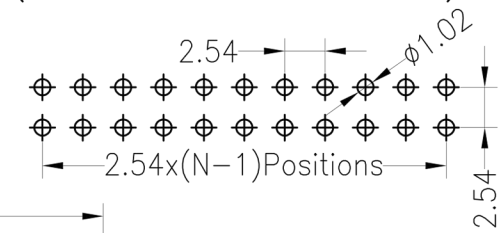
3214 SERIES - 2.54MM PITCH



Recommended P.C.B Layout (Top Side)
(PCB BOARD TOLERANCE ±0.05)

Specifications

- Current rating: 3.0 Amps
 - Contact resistance: 20mΩ max
 - Withstand voltage: 1000V AC/DC
 - Insulation resistance: 1000MΩ min
 - Operation temperature: -40°C to +105°C
 - Contact material: Brass
 - Contact plating: Au Or Sn Over Ni
 - Insulator material: Polyester (UL94V-0)
 - Standard: PA6T
- Max. processing Temp: 230°C for 30-60 seconds
260°C for 10 seconds



Ordering Information

3214D - XX A B 06 (1)

1
2
3
4

1. Connector Series

2. Number of pins (6→64P)

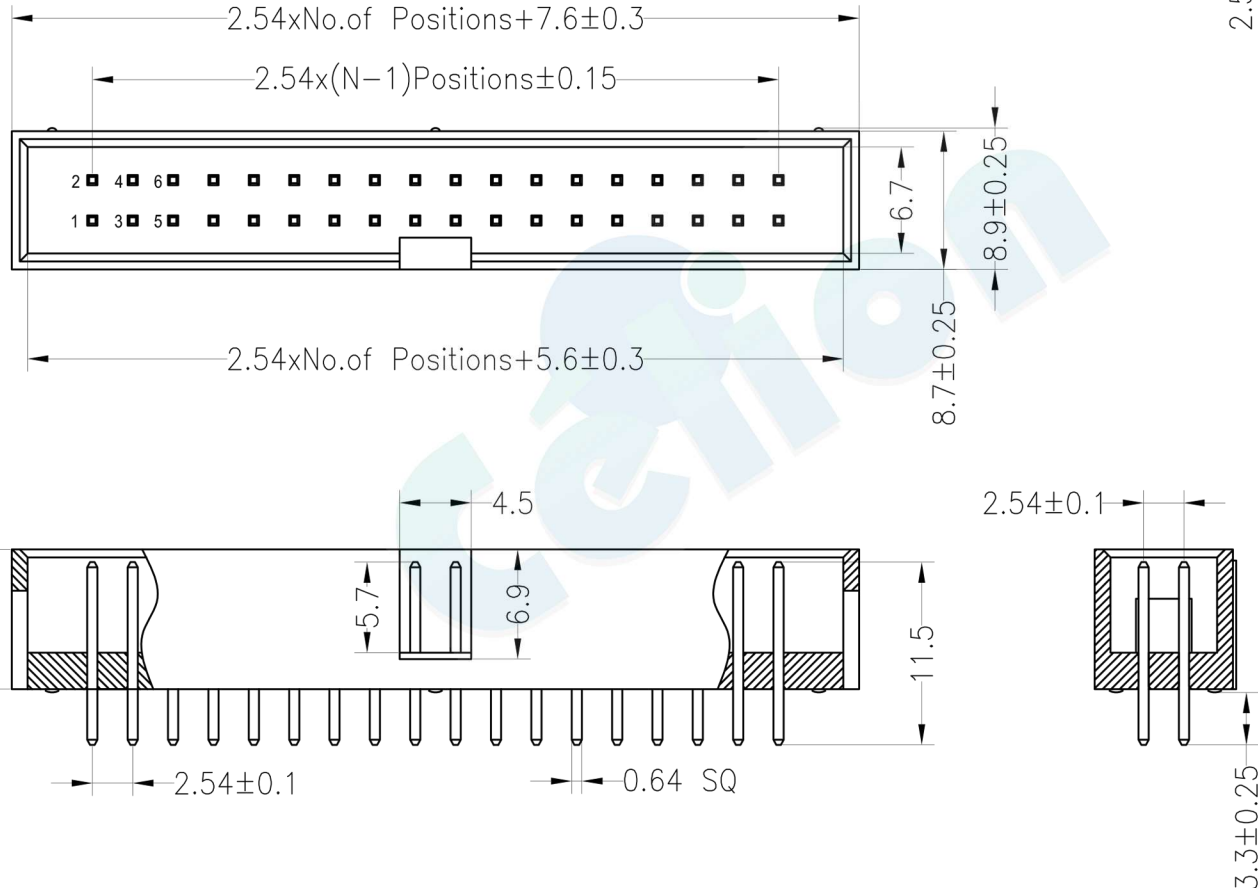
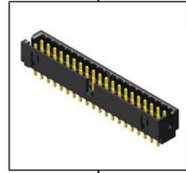
3. Contact Plating

- A=Gold Flash
- B= 3U" Gold
- C= 5U" Gold
- D=10U" Gold
- E=15U" Gold
- F= 30U" Gold
- G=Gold Flash/Tin
- H= Tin

4. Insulator Material Option

- A =BK-PBT
- B =BK-PA66
- C= BK-PA6T
- D= BK-PA46
- E= BK-LCP

(1). Packaging Ø=PE Bag 1=Tube 2=Tray 3=Tube+Cap



				OPERATION		DRAW	BEN	12.04.18	SCALE	FIT	votre partenaire en électronique		
				X.X	±0.30				UNIT	mm			
				X.XX	±0.20	CHECK		SIZE	A4	PART NO.			3214D-XXXX 06 (1)
				X.XXX	±0.10	APPROVE		SHEET	1/1	TITLE:			2.54DC3-60P/64P H8.8mm 180°
REV	DATE	MODIFICATION DESCRIPTION	CHANGE	DIM	TOL			PROJ.					