

WAFER CONNECTOR TERMINAL

3001 SERIES - 3.00MM



Terminal

- Applicable wire: AWG 20-24
- Material: Phosphore Bronze
- Finish: Tin plated

Ordering Information

3001T - X P 01

1 2 3

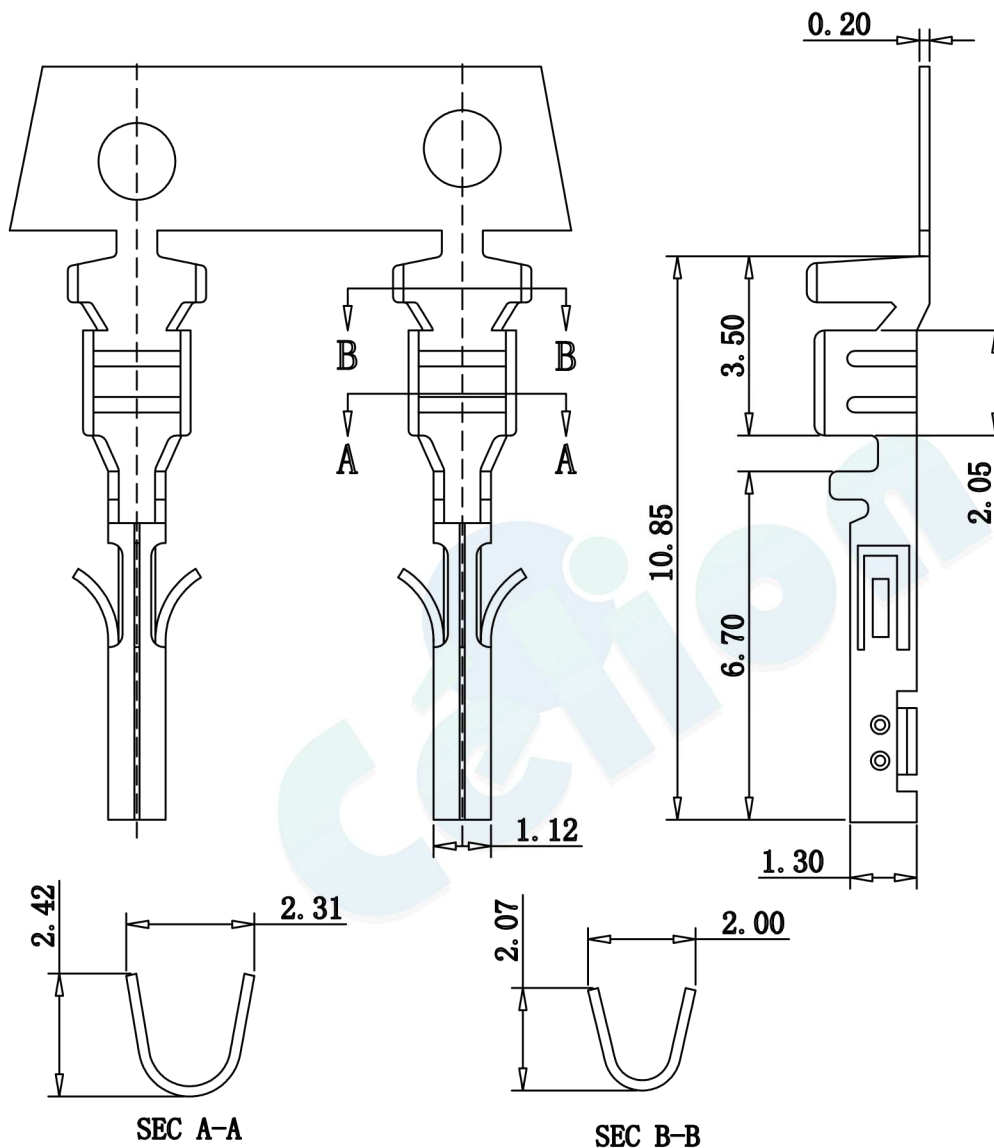
1. Connector Series

2. Contact plating

- **A** = Tin
- **B** = Gold Flash

3. Material Option

- **P** = Phosphore Bronze



				OPERATION		DRAW	BEN	12.04.18	SCALE	FIT			
				X.X	±0.30				UNIT	mm			
				X.XX	±0.20	CHECK		SIZE	A4	PART NO.			3001T - XX 01
				X.XXX	±0.10	APPROVE		SHEET	1/1	TITLE:			MX3.00 Terminal
REV	DATE	MODIFICATION DESCRIPTION	CHANGE	DIM	TOL			PROJ.					

WAFER CONNECTOR TERMINAL

3001 SERIES - 3.00MM



Terminal

- Applicable wire: AWG 20-24
- Material: Phosphore Bronze
- Finish: Tin plated

Ordering Information

3001T - X P 02
1 2 3

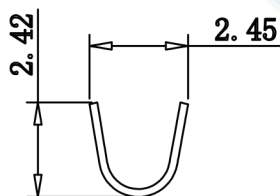
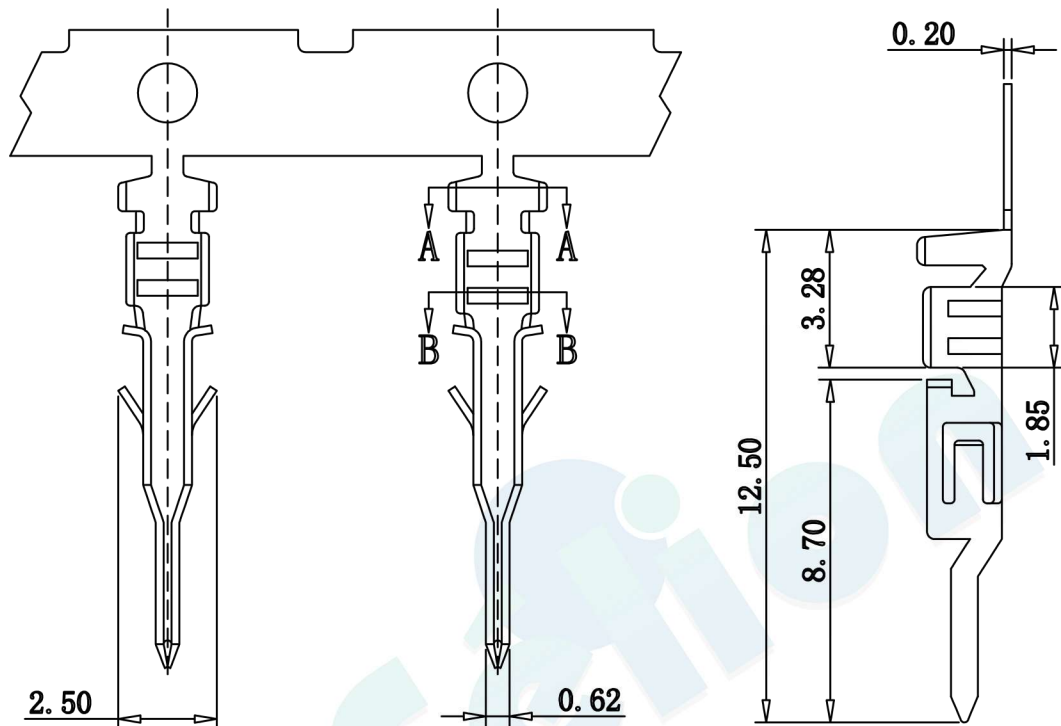
1. Connector Series

2. Contact plating

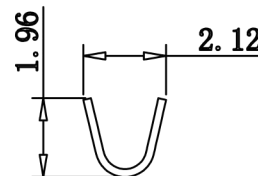
- **A** = Tin
- **B** = Gold Flash

3. Material Option


- **P** = Phosphore Bronze



SEC A-A



SEC B-B

				OPERATION		DRAW	BEN	12.04.18	SCALE	FIT			
				X.X	±0.30				UNIT	mm			
				X.XX	±0.20	CHECK		SIZE	A4	PART NO.			3001T - XX 02
				X.XXX	±0.10	APPROVE		SHEET	1/1	TITLE:			MX3.00 Terminal
REV	DATE	MODIFICATION DESCRIPTION	CHANGE	DIM	TOL			PROJ.	