

WAFER CONNECTOR HOUSING

3001 SERIES - 3.00MM

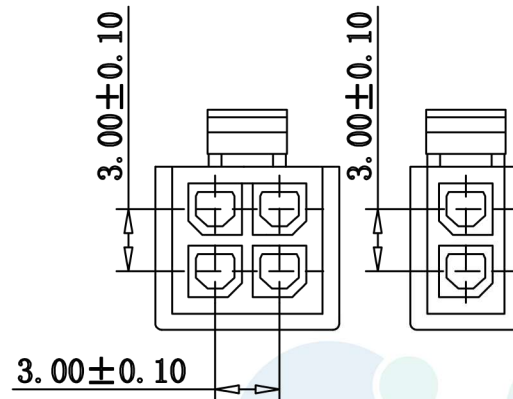
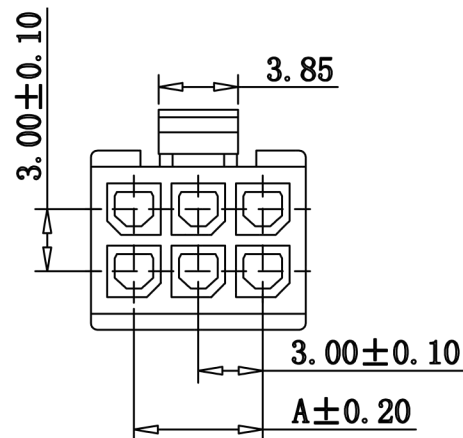


Specifications

- Voltage rating: 250V AC/DC
- Current rating: 5A AC/DC
- Withstanding Voltage: 1500V AC/minute
- Insulation resistance: 1000MΩ min
- Temperature range: -25°C to +105°C
- Contact resistance: 10mΩ max

Housing

- Poles: 2-24
- Material: Nylon 66UL 94V-0



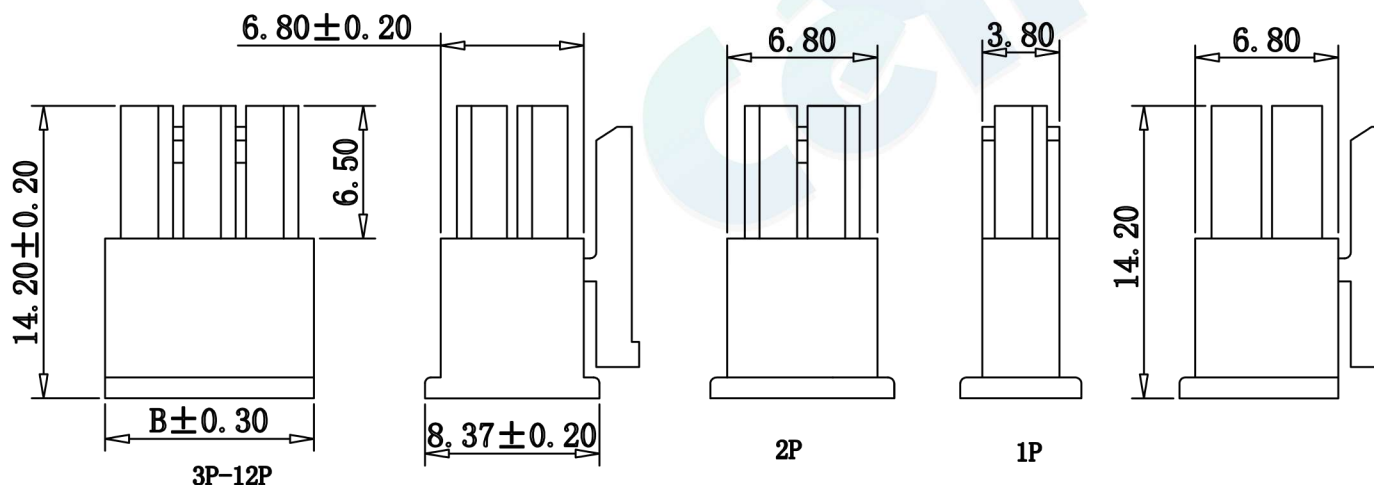
Pin No.	Dimensions (mm)	
	A	B
2*01	—	3.80
2*02	3.00	6.80
2*03	6.00	9.80
2*04	9.00	12.80
2*05	12.00	15.80
2*06	15.00	18.80
2*07	18.00	21.80
2*08	21.00	24.80
2*09	24.00	27.80
2*10	27.00	30.80
2*11	30.00	33.80
2*12	33.00	36.80

Ordering Information

3001H - (XX) B 01

1 2 3

1. Connector Series
2. Number of pins (02→24)
3. Insulator Color
 - B = Black



				OPERATION		DRAW	BEN	12.04.18	SCALE	FIT	votre partenaire en électronique		
				X.X	±0.30				UNIT	mm			
				X.XX	±0.20	CHECK	SIZE	A4	PART NO.	3001H - XXX 01			
				X.XXX	±0.10	APPROVE	SHEET	1/1	TITLE:	MX3.0 Housing Npin			
REV	DATE	MODIFICATION DESCRIPTION	CHANGE	DIM	TOL			PROJ.					

WAFER CONNECTOR HOUSING

3001 SERIES - 3.00MM

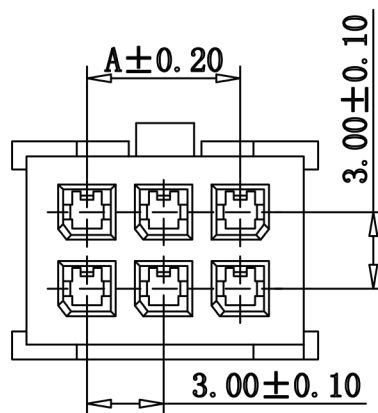


Specifications

- Voltage rating: 250V AC/DC
- Current rating: 5A AC/DC
- Withstanding Voltage: 1500V AC/minute
- Insulation resistance: 1000MΩ min
- Temperature range: -25°C to +105°C
- Contact resistance: 10mΩ max

Housing

- Poles: 2-24
- Material: Nylon 66UL 94V-0



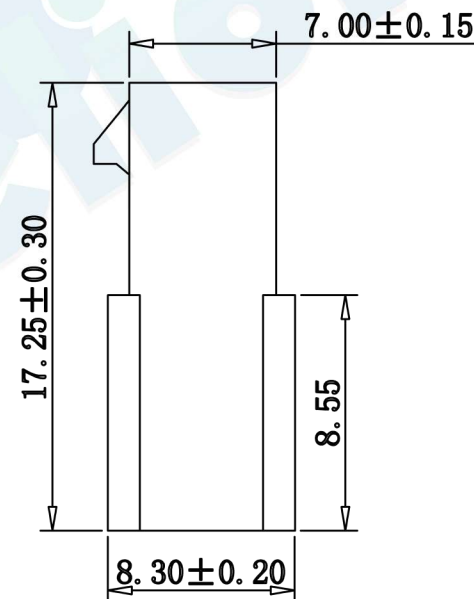
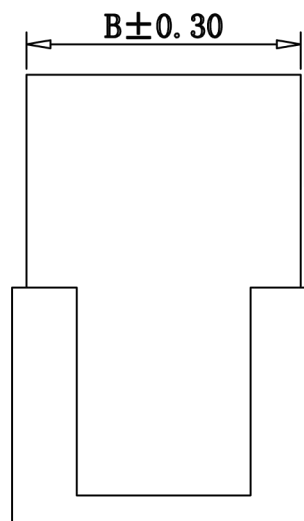
Pin No.	Dimensions (mm)	
	A	B
2*01	—	3.85
2*02	3.00	6.85
2*03	6.00	9.85
2*04	9.00	12.85
2*05	12.00	15.85
2*06	15.00	18.85
2*07	18.00	21.85
2*08	21.00	24.85
2*09	24.00	27.85
2*10	27.00	30.85
2*11	30.00	33.85
2*12	33.00	36.85


Ordering Information

3001H - (XX) B 03

1
2
3

1. Connector Series
2. Number of pins (02→24)
3. Insulator Color
 - B = Black



				OPERATION		DRAW	BEN	12.04.18	SCALE	FIT	 votre partenaire en électronique	
				X.X	±0.30				UNIT	mm		
				X.XX	±0.20	CHECK			SIZE	A4	PART NO.	3001H - XXX 03
				X.XXX	±0.10	APPROVE			SHEET	1/1	TITLE:	MX3.0 Housing Npin
REV	DATE	MODIFICATION DESCRIPTION	CHANGE	Angle	±3°		DIM	TOL	PROJ.			