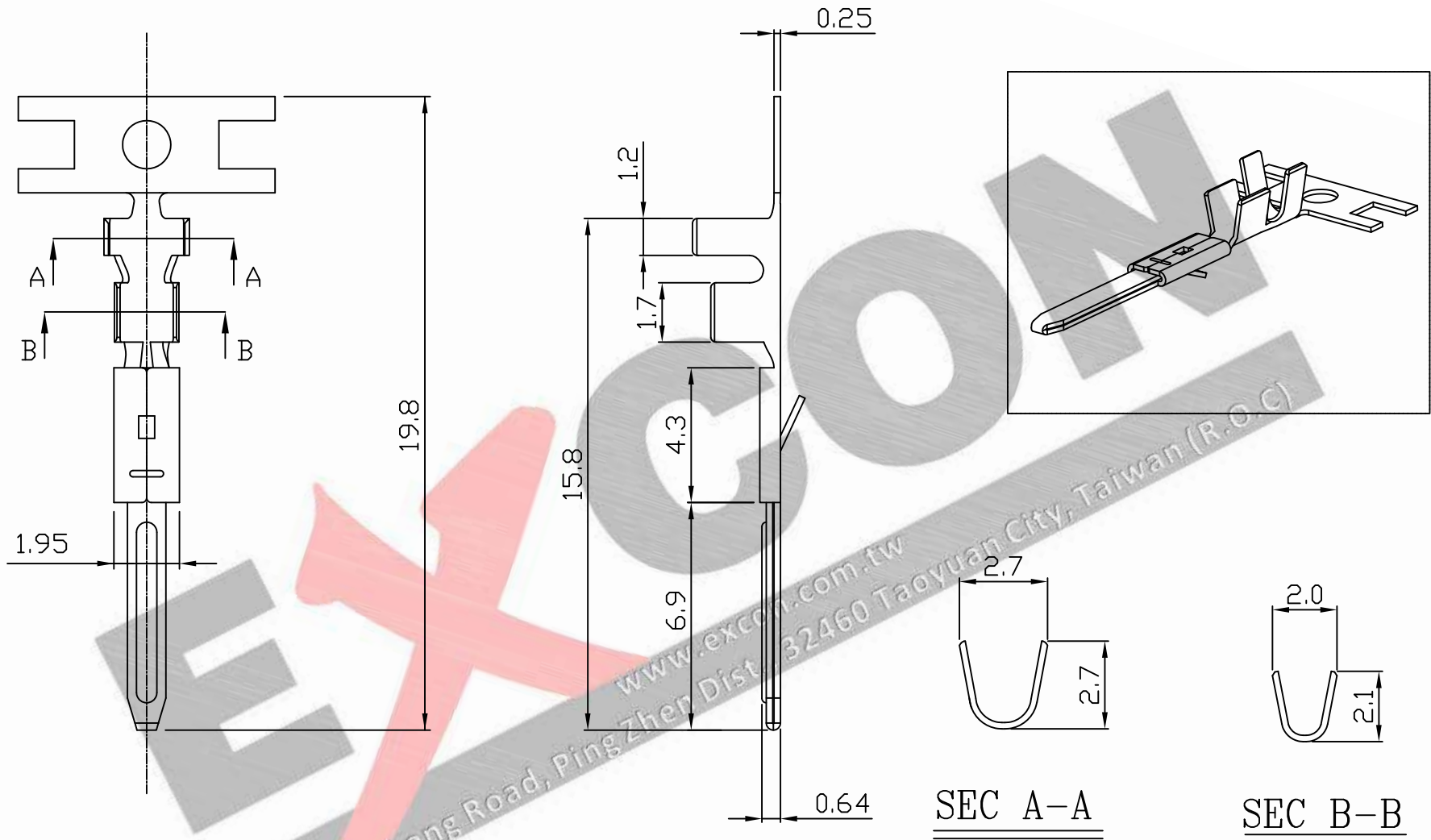


PART NO. 250800TA051  
 DWG NO. C2508TA



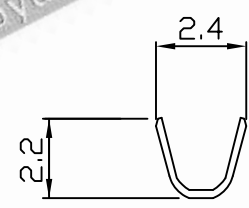
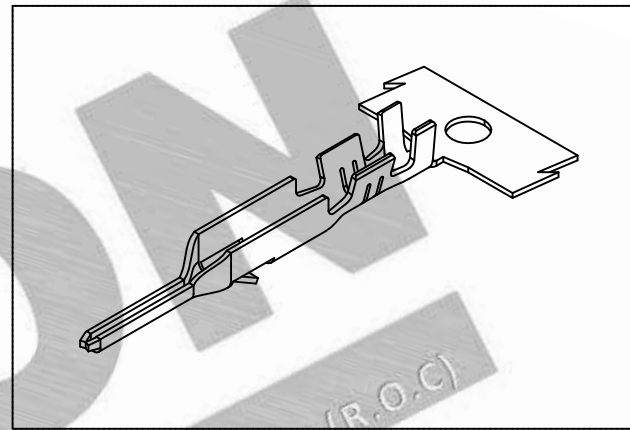
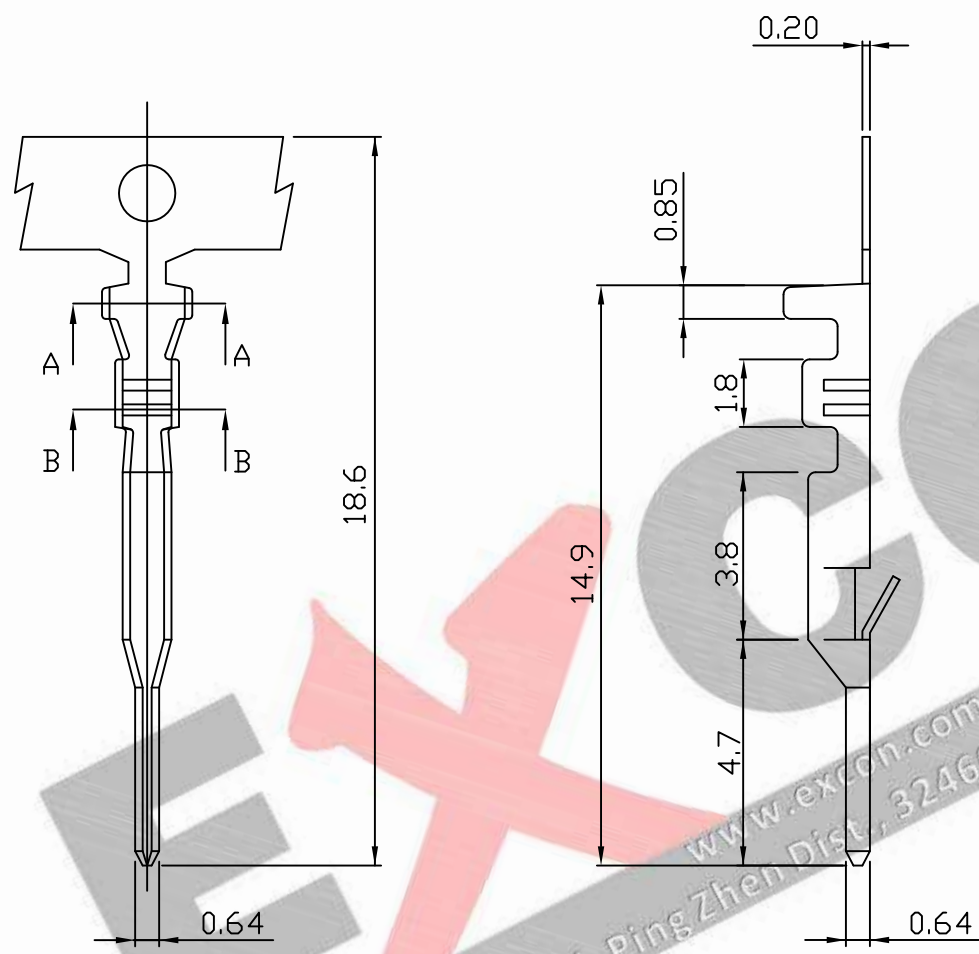
NOTE 1 :

1. Terminal Material: Brass
2. Plated: Ni 25u"min Tin-plated 50u"min.
3. Applicable wires: #28~#22
4. Q'ty / reel: 10,000 pcs

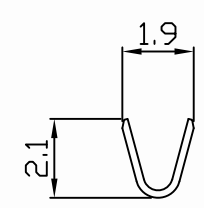
				UNLESS OTHERWISE SPECIFIED TOLERANCES		<b>EXCON</b> EXCON TECHNOLOGY COMPANY
				3 PLACE ±0.5 ±0.10		
				2 PLACE ±1.5 ±0.35		PART.NO
				1 PLACE ±2.0 ±0.50		
REV.	REVISIONI			DIS	DATE	DWG NO:
SCALE	REV.	PAGE:	UNIT	mm		
4/1	A	1	THIRD ANGLE PROJECTION			C2508TA
						PART.NO
						250800TA051

10 9 8 7 6 5 4 3 2 1

PART NO. 251300TA001  
 DWG NO. C2513TA



SEC A-A



SEC B-B

**NOTE:**

1. Terminal Material: Brass bronze
2. Plated: Ni 25u"min Tin-plated 50u"min.
3. Applicable wires: #28~#22
4. Q'ty / reel: 10,000 pcs

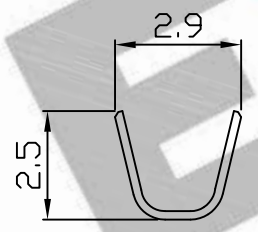
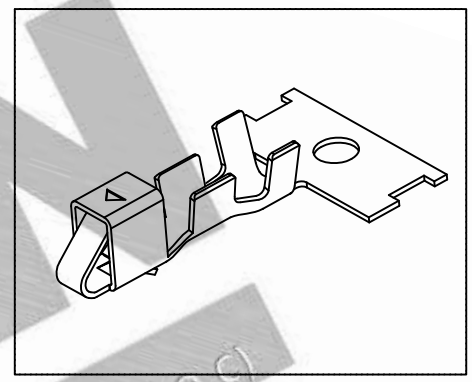
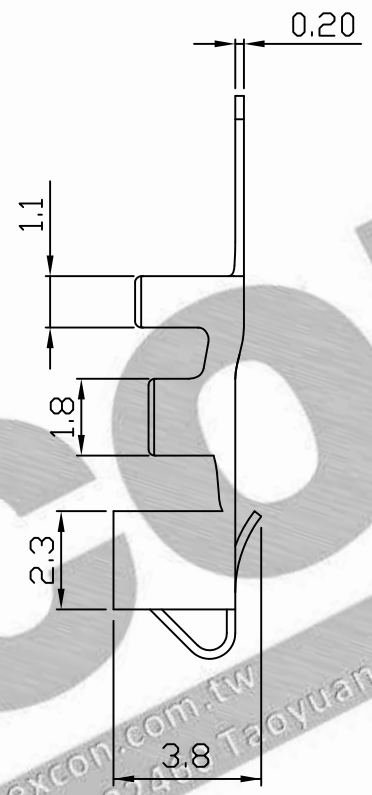
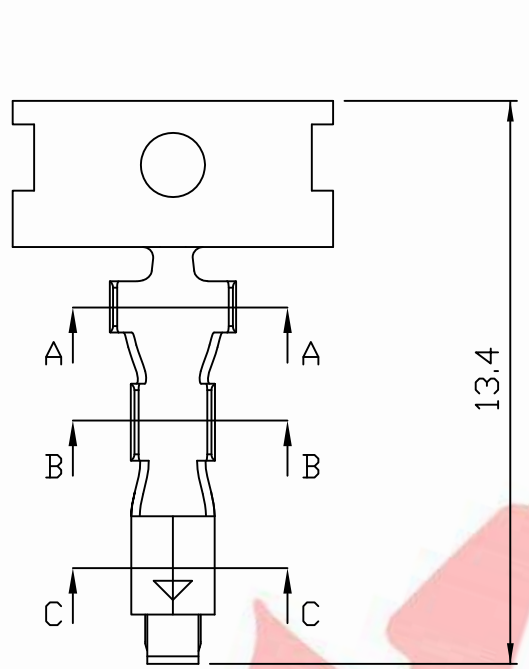
				UNLESS OTHERWISE SPECIFIED TOLERANCES		<b>EXCON</b> EXCON TECHNOLOGY COMPANY
				3 PLACE ±0.5 ±0.10		
				2 PLACE ±1.5 ±0.35		
				1 PLACE ±2.0 ±0.50		PART.NO
				ANGLE DIM		
REV.	REVISIONI			DIS	DATE	DWG NO:
SCALE	REV.	PAGE:	UNIT	mm		
4/1	A	1	THIRD ANGLE PROJECTION			C2513TA
						PART.NO
						251300TA001

F  
E  
D  
C  
B  
A

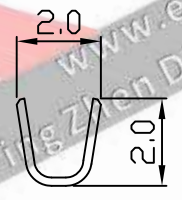
F  
E  
D  
C  
B  
A

10 9 8 7 6 5 4 3 2 1

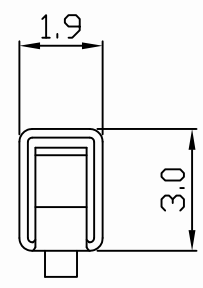
PART NO. 250700TB051  
 DWG NO. C2507TB



SEC A-A



SEC B-B



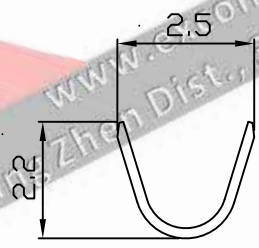
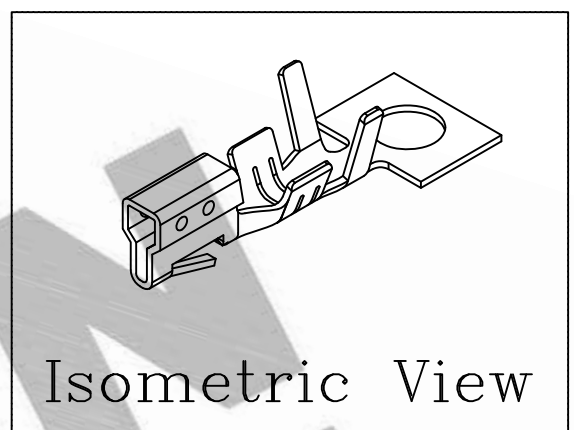
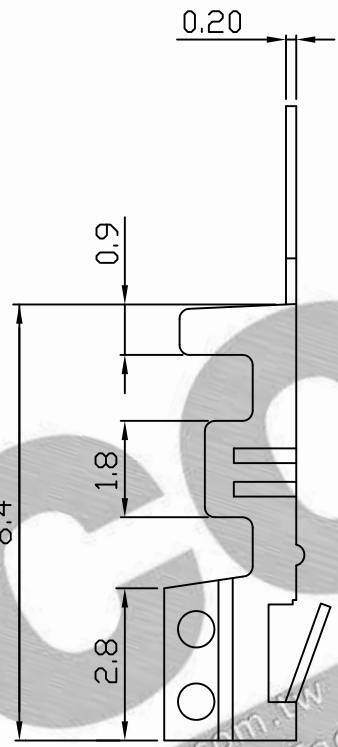
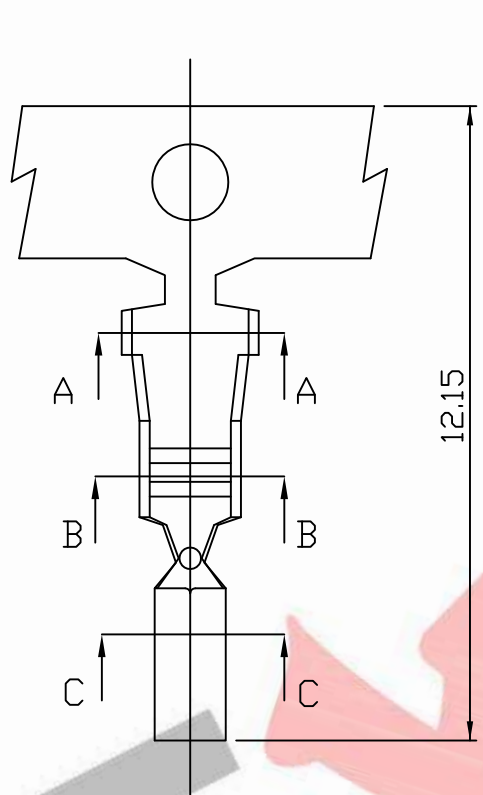
SEC C-C

NOTE 1 :

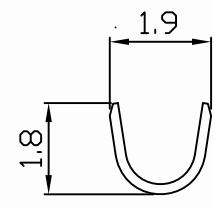
1. Terminal Material: Brass
2. Plated: Ni 25u"min Tin-plated 50u"min.
3. Applicable wires: #28~#22
4. Q'ty / reel: 7,000 pcs

				UNLESS OTHERWISE SPECIFIED TOLERANCES		<b>EXCON</b> EXCON TECHNOLOGY COMPANY
				3 PLACE ±0.5 ±0.10		
				2 PLACE ±1.5 ±0.35		PART.NO 250700TB051
				1 PLACE ±2.0 ±0.50		
REV.	REVISIONI			DIS	DATE	DWG NO: C2507TB
SCALE	REV.	PAGE:	UNIT	mm		
4/1	A	1	THIRD ANGLE PROJECTION			

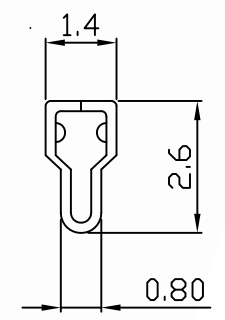
PART NO. 251300TB351  
 DWG NO. C2513TB



SEC A-A



SEC B-B



SEC C-C

NOTE:

1. Terminal Material: Phosphor bronze
2. Plated: Ni 25u"min Tin Pre-plated 50u"min.
3. Current rating: 3A AC/DC
4. Voltage rating: 250V AC/DC
5. Withstand voltage: 1000V AC/minute
6. Insulation resistance: 1000MΩ mm m
7. Applicable wires: #28~#22
8. Insuation O.D.: 1.2-1.9mm
9. Q'ty / reel: 10,000 pcs

REV. B		1.NOTE: 修改 第2項 Tin-Plated → Tin Pre-Plated 新增 第3、4、5、6、8項 2.公差塗消		DIS christy		DATE 5/14 2015	
REV.		REVISIONI				DIS DATE	
SCALE	REV.	PAGE:	UNIT mm		DWG NO:		
4/1	B	1/1	THIRD ANGLE	PROJECTION	C2513TB		PART.NO

UNLESS OTHERWISE SPECIFIED TOLERANCES  
 3 PLACE ±0.5 ±0.10  
 2 PLACE ±1.5 ±0.35  
 1 PLACE ±2.0 ±0.50  
 ANGLE DIM

**EXCON**  
 EXCON TECHNOLOGY COMPANY

PART.NO  
 251300TB351