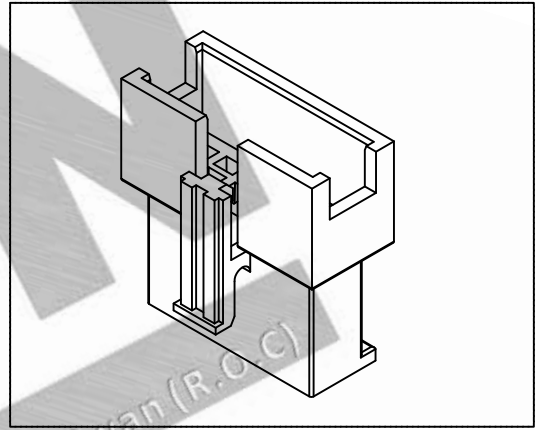
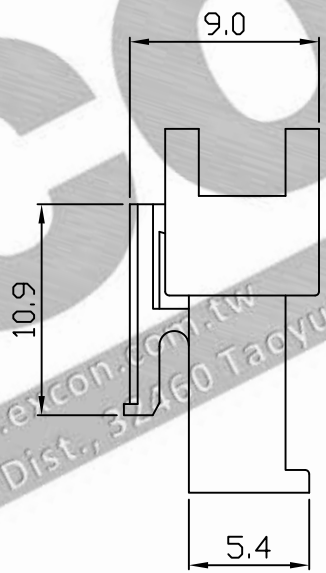
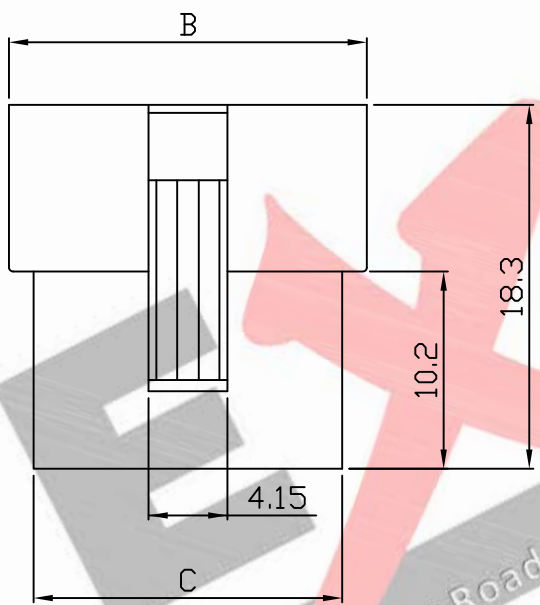
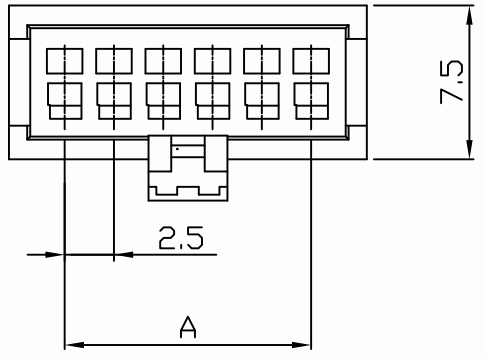


PART NO. 2508xxHF003  
 DWG NO. C2508HF



Dimensional & Ordering Information:

Part No.	Circuits	Dim A	Dim B	Dim C
250802HF003	2	2.5	8.0	5.6
250803HF003	3	5.0	10.5	8.1
250804HF003	4	7.5	13.0	10.6
250805HF003	5	10.0	15.5	13.1
250806HF003	6	12.5	18.0	15.6
250807HF003	7	15.0	20.5	18.1
250808HF003	8	17.5	23.0	20.6
250809HF003	9	20.0	25.5	23.1
250810HF003	10	22.5	28.0	25.6
250811HF003	11	25.0	30.5	28.1
250812HF003	12	27.5	33.0	30.6

NOTE:

1. Housing Material: Nylon 66 UL94V0
2. Insulation resistance: 500M min.
3. Withstand voltage: 1500V AC/minute.
4. Current rating: 3A AC/DC.
5. Voltage rating: 250V AC/DC
6. Color: Black

UNLESS OTHERWISE SPECIFIED TOLERANCES			
3 PLACE ±0.5 ±0.10			
2 PLACE ±1.5 ±0.35			
1 PLACE ±2.0 ±0.50			
ANGLE DIM			
REV.	REVISION	DIS	DATE
SCALE	REV.	PAGE:	UNIT mm
4/1	A	1	THIRD ANGLE PROJECTION

**EXCON**  
 EXCON TECHNOLOGY COMPANY

PART.NO  
 2508xxHF003