

# WAFER CONNECTOR DIP KINKED

2500 SERIES - 2.50MM



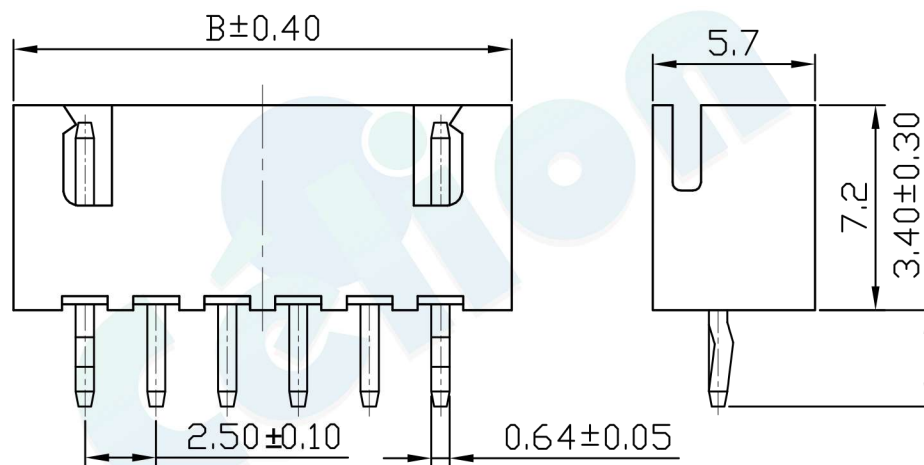
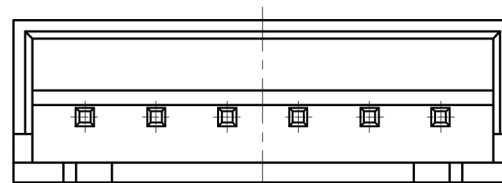
## Specifications

- Applicable wire: AWG 28-22
- Rated Voltage: 250V AC/DC
- Rated current: 3A
- Withstand Voltage: 1000V AC/min
- Operation temperature: -25°C to +85°C
- Insulation resistance: 1000MΩ min
- Contact resistance: 20mΩ max

## Material

- Insulator: Nylon 66 UL94-V2
- Contact material: Brass
- Contact plating: Sn300" Over Ni30-50u"

Poles	DIM.A	DIM.B
2A	2.5	7.5
3A	5.0	10.0
4A	7.5	12.5
5A	10.0	15.0
6A	12.5	17.5
7A	15.0	20.0
8A	17.5	22.5
9A	20.0	25.0
10A	22.5	27.5
11A	25.0	30.0
12A	27.5	32.5
13A	30.0	35.0
14A	32.5	37.5
15A	35.0	40.0

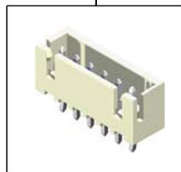




P.C.B LAYOUT

## Ordering Information

**2500DK1 - (XX) X X**

1. Connector Series
2. Number of pins per row (02→15)
3. Contact plating
  - A = Gold Flash
  - B = Tin
4. Color
  - W = White



				OPERATION		DRAW	BEN	12.04.18	SCALE	FIT	 votre partenaire en électronique			
				X.X	±0.30				UNIT	mm				
				X.XX	±0.20	CHECK			SIZE	A4			PART NO.	2500DK1 - XXXX
A0	2012.04.18	NEW DRAWING		X.XXX	±0.10	APPROVE			SHEET	1/1			TITLE:	2.5 Wafer Npin
REV	DATE	MODIFICATION DESCRIPTION	CHANGE	DIM	TOL			PROJ.						

# WAFER CONNECTOR DIP TYPE

2500 SERIES - 2.50MM



## Specifications

- Applicable wire: AWG 28-22
- Rated Voltage: 250V AC/DC
- Rated current: 3A
- Withstand Voltage: 1000V AC/min
- Operation temperature: -25°C to +85°C
- Insulation resistance: 1000MΩ min
- Contact resistance: 20mΩ max

Poles	DIM.A	DIM.B
2A	2.5	7.5
3A	5.0	10.0
4A	7.5	12.5
5A	10.0	15.0
6A	12.5	17.5
7A	15.0	20.0
8A	17.5	22.5
9A	20.0	25.0
10A	22.5	27.5
11A	25.0	30.0
12A	27.5	32.5
13A	30.0	35.0
14A	32.5	37.5
15A	35.0	40.0

## Material

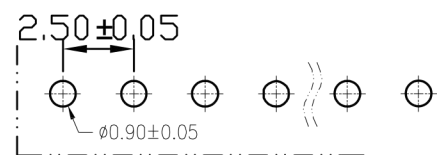
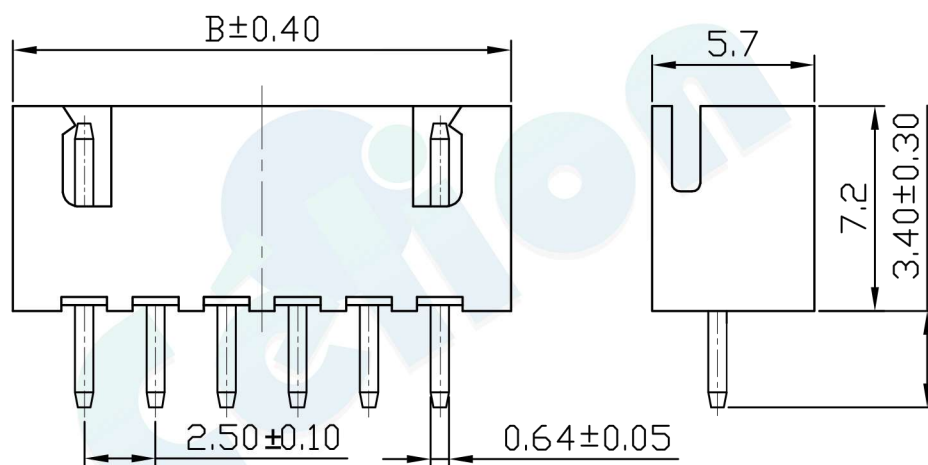
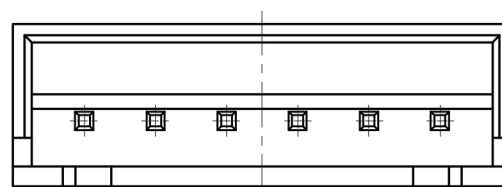
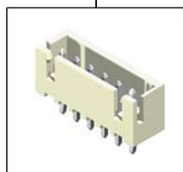
- Insulator: Nylon 66 UL94-V2
- Contact material: Brass
- Contact plating: Sn300" Over Ni30-50u"

## Ordering Information

**2500D1 - (XX) X X 02**

1
2
3
4

1. Connector Series
2. Number of pins per row (02→15)
3. Contact plating
  - A = Gold Flash
  - B = Tin
4. Color
  - W = White



P.C.B. LAYOUT

				OPERATION		DRAW	BEN	12.04.18	SCALE	FIT	votre partenaire en électronique			
				X.X	±0.30				UNIT	mm				
				X.XX	±0.20	CHECK			SIZE	A4			PART NO.	2500D1 - XXXX 02
				X.XXX	±0.10	APPROVE			SHEET	1/1			TITLE:	2.5 Wafer Npin
REV	DATE	MODIFICATION DESCRIPTION	CHANGE	Angle	±3°				PROJ.					
				DIM	TOL									