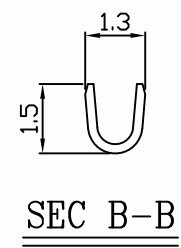
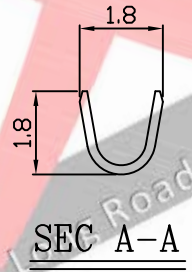
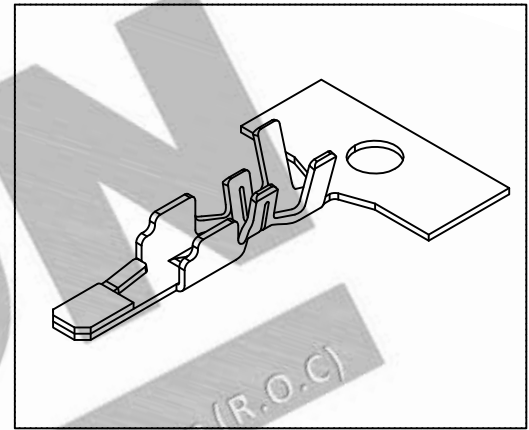
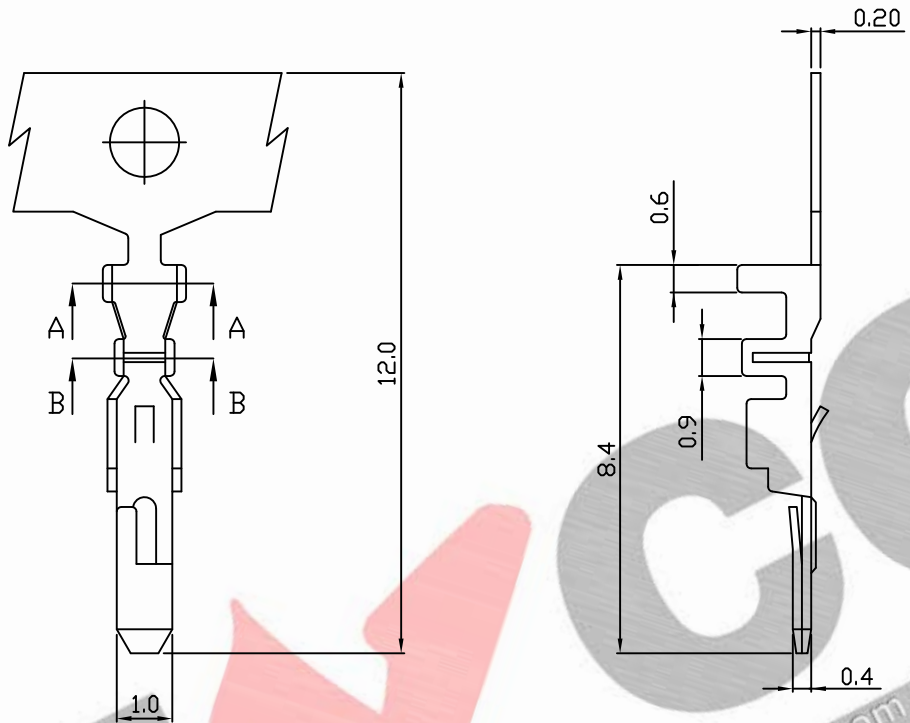


10 9 8 7 6 5 4 3 2 1

PART NO. 200900TA051
 DWG NO. C2009TA



NOTE:

1. Terminal Material: Brass
2. Color: Natural
3. Applicable wires: AWG#28-#24
4. Q'ty / reel: 10,000 pcs

				UNLESS OTHERWISE SPECIFIED TOLERANCES		EXCON EXCON TECHNOLOGY COMPANY
				3 PLACE ±0.5 ±0.10		
				2 PLACE ±1.5 ±0.35		
				1 PLACE ±2.0 ±0.50		PART.NO
				ANGLE DIM		
REV.	REVISIONI			DIS	DATE	DWG NO:
SCALE	REV.	PAGE:	UNIT	mm		
4/1	A	1	THIRD ANGLE PROJECTION			C2009TA
						PART.NO
						200900TA051

EXCON

www.excon.com.tw
 89, Xing Lu Road, Ping Zhen Dist., 32460 Taoyuan City, Taiwan (R.O.C)

10 9 8 7 6 5 4 3 2 1