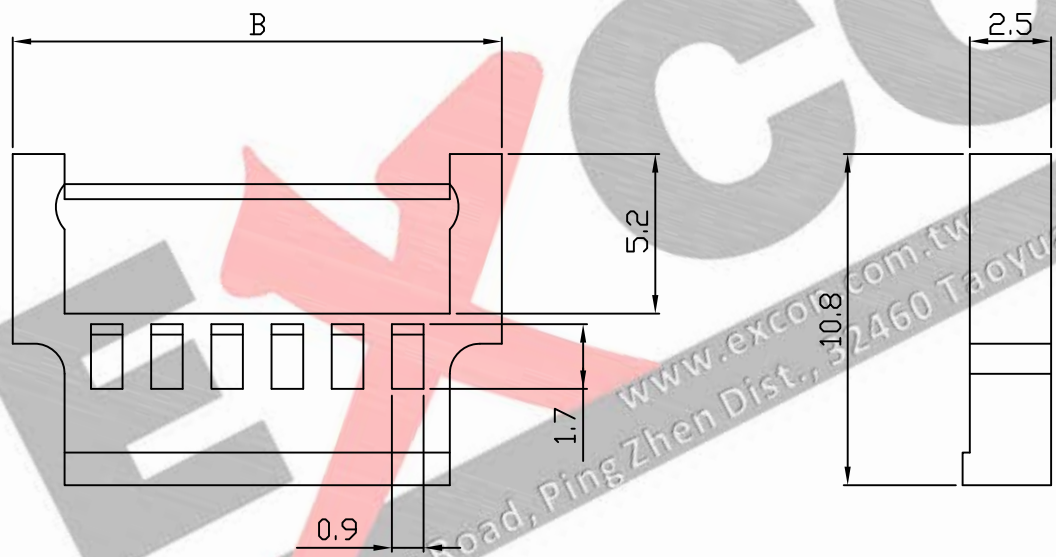
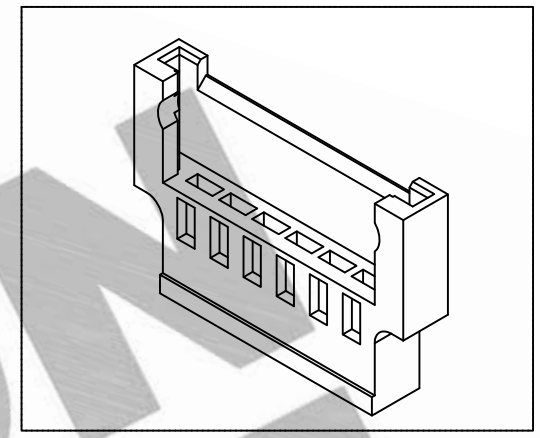
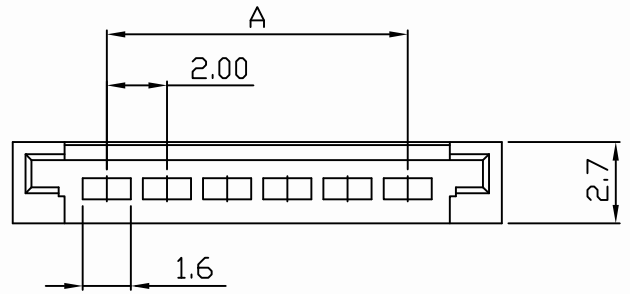


PART NO. 2009xxHF001  
 DWG NO. C2009HF



Dimensional & Ordering Information:

Part No.	Circuits	Dim A	Dim B
200902HF001	2	2.00	8.0
200903HF001	3	4.00	10.0
200904HF001	4	6.00	12.0
200905HF001	5	8.00	14.0
200906HF001	6	10.00	16.0
200907HF001	7	12.00	18.0
200908HF001	8	14.00	20.0
200909HF001	9	16.00	22.0
200910HF001	10	18.00	24.0

NOTE:

1. Housing Material: Nylon 66 UL94V0
2. Color: Natural
3. Insulation resistance: 1000MΩ min.
4. Withstand voltage: 800V AC/minute.
5. Current rating: 2A AC/DC.
6. Voltage rating: 250V AC/DC

UNLESS OTHERWISE SPECIFIED TOLERANCES			
3 PLACE ±0.5 ±0.10			
2 PLACE ±1.5 ±0.35			
1 PLACE ±2.0 ±0.50			
ANGLE DIM			
REV.	REVISION		DIS DATE
SCALE	REV.	PAGE:	UNIT mm
4/1	A	1	THIRD ANGLE PROJECTION

**EXCON**  
 EXCON TECHNOLOGY COMPANY

PART.NO  
 2009xxHF001