

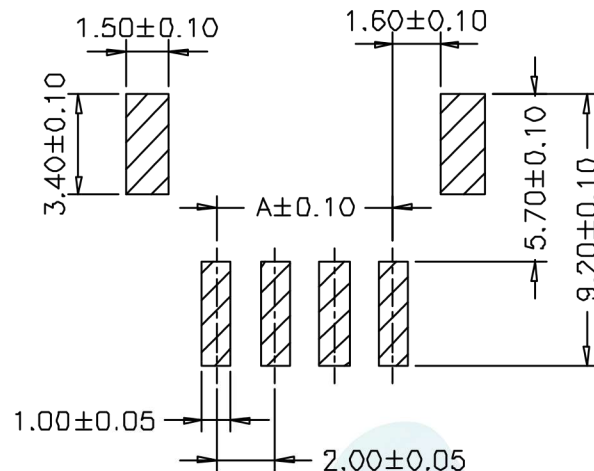
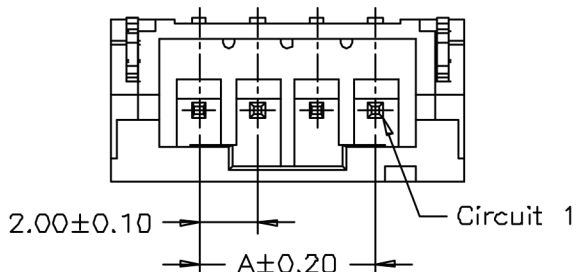
WAFER CONNECTOR SMT RIGHT ANGLE

2000 SERIES - 2.00MM



Specifications

- Rated current: 2.0A AC/DC
- Voltage rating: 100V AC/DC
- Operation temperature: -25°C to +85°C
- Contact resistance: 10mΩ max
- Insulation resistance: 1000MΩ min
- Withstanding Voltage: 800V AC/minute
- Pin material: Brass/Tin-plated
- Solder Tabs material: Brass/Tin plated
- Material: Nylon -T, UL94V-0

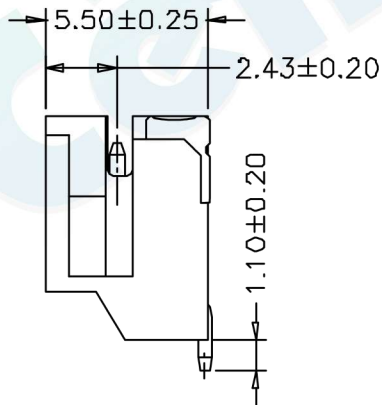
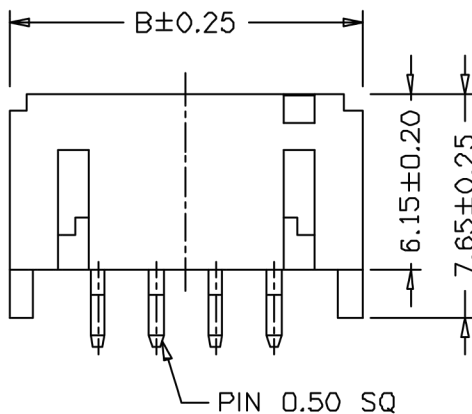
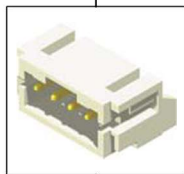


PCB LAYOUT

Ordering Information

2000SR1 - (XX) X

1. Connector Series
2. Number of pins per row
3. Color
 - W = White



Pin	Dimension mm	
	A	B
02	2.00	8.00
03	4.00	10.00
04	6.00	12.00
05	8.00	14.00
06	10.00	16.00
07	12.00	18.00
08	14.00	20.00
09	16.00	22.00
10	18.00	24.00
11	20.00	26.00
12	22.00	28.00
13	24.00	30.00
14	26.00	32.00
15	28.00	34.00

				OPERATION		DRAW	BEN	12.04.18	SCALE	FIT	 votre partenaire en électronique	
				X.X	±0.30				UNIT	mm		
				X.XX	±0.20	CHECK			SIZE	A4	PART NO.	2000SR1 - XXX
				X.XXX	±0.10				SHEET	1/1		
A0	2012.04.18	NEW DRAWING		Angle	±3°	APPROVE			PROJ.	◆	TITLE:	2.0mm Wafer Npin 90° SMT
REV	DATE	MODIFICATION	DESCRIPTION	DIM	TOL							