

WAFER CONNECTOR DIP KINKED

2000 SERIES - 2.00MM



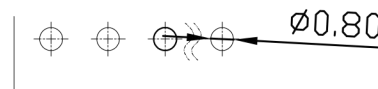
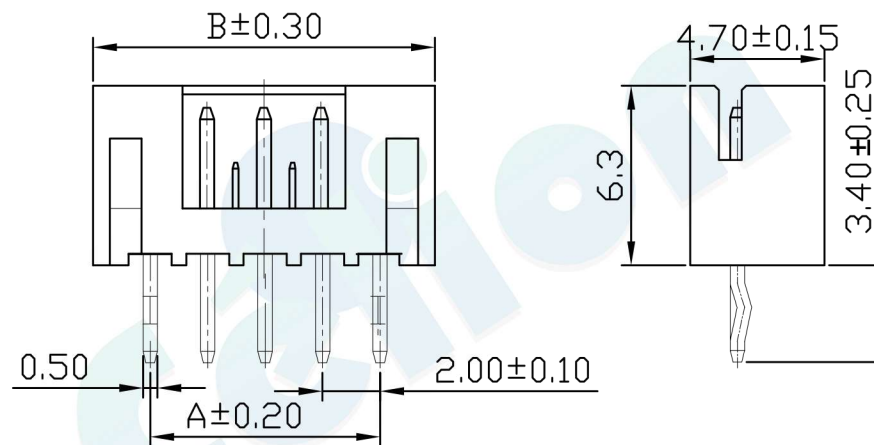
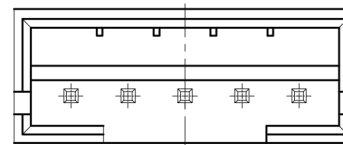
Specifications

- Applicable wire: AWG 30-24
- Rated Voltage: 100V AC/DC
- Rated current: 2A
- Withstand Voltage: 800V AC/min
- Operation temperature: -25°C to +85°C
- Insulation resistance: 1000MΩ min
- Contact resistance: 10mΩ max

Material

- Insulator: Nylon 66 UL94-V2
- Contact material: Brass
- Contact plating: Sn300" Over Ni30-50u"

Poles	DIM.A	DIM.B
2P	2.0	6.1
3P	4.0	8.1
4P	6.0	10.1
5P	8.0	12.1
6P	10.0	14.1
7P	12.0	16.1
8P	14.0	18.1
9P	16.0	20.1
10P	18.0	22.1
11P	20.0	24.1
12P	22.0	26.1
13P	24.0	28.1
14P	26.0	30.1
15P	28.0	32.1
16P	30.0	34.1



P.C.B LAYOUT

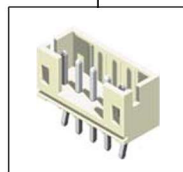
Ordering Information

2000DK1 - (XX) X

1 2 3

1. Connector Series
2. Number of pins per row
3. Color

- W = White



				OPERATION		DRAW	BEN	12.04.18	SCALE	FIT	votre partenaire en électronique	
				X.X	±0.30				UNIT	mm		
				X.XX	±0.20	CHECK			SIZE	A4	PART NO.	2000DK1 - XXXX
				X.XXX	±0.10	APPROVE			SHEET	1/1	TITLE:	2 Wafer Npin
REV	DATE	MODIFICATION DESCRIPTION	CHANGE	Angle	±3°		DIM	TOL	PROJ.			