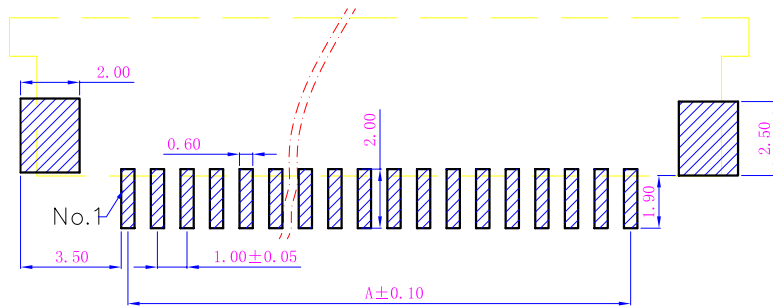
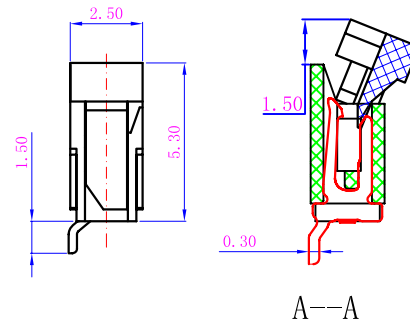
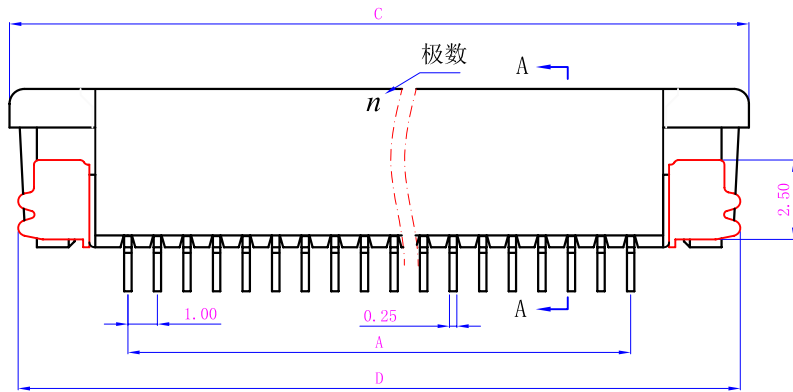
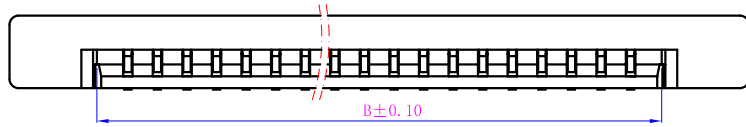


PITCH 1.0mm FPC CONNECTOR SMT TYPE

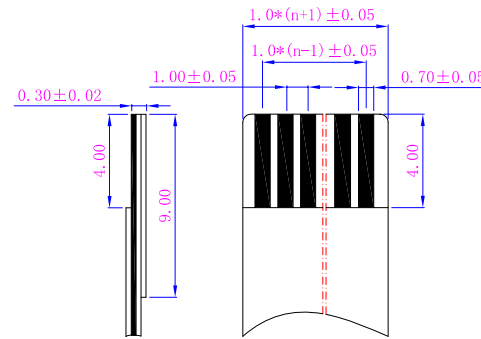
性能:

额定电流: 0.5A
 额定电压: 50V
 耐压: 500V
 接触电阻: $\leq 20m\Omega$
 绝缘电阻: $800M\Omega$
 工作温度: $-20^{\circ}C \sim +85^{\circ}C$

塑件 (材质): LCP, UL94V-0
 锁扣 (材质): LCP, UL94V-0
 插簧 (材质): 磷青铜, 镀锡/镀金
 焊片 (材质): 磷青铜, 镀锡/镀金



印制电路板 (PCB)



适用扁平电缆

孔位	A	B	C	D
4	3.00	5.15	11.10	10.20
5	4.00	6.15	12.10	11.20
6	5.00	7.15	13.10	12.20
7	6.00	8.15	14.10	13.20
8	7.00	9.15	15.10	14.20
9	8.00	10.15	16.10	15.20
10	9.00	11.15	17.10	16.20
11	10.00	12.15	18.10	17.20
12	11.00	13.15	19.10	18.20
13	12.00	14.15	20.10	19.20
14	13.00	15.15	21.10	20.20
15	14.00	16.15	22.10	21.20
16	15.00	17.15	23.10	22.20
17	16.00	18.15	24.10	23.20
18	17.00	19.15	25.10	24.20
19	18.00	20.15	26.10	25.20
20	19.00	21.15	27.10	26.20
21	20.00	22.15	28.10	27.20
22	21.00	23.15	29.10	28.20
23	22.00	24.15	30.10	29.20
24	23.00	25.15	31.10	30.20
25	24.00	26.15	32.10	31.20
26	25.00	27.15	33.10	32.20
27	26.00	28.15	34.10	33.20
28	27.00	29.15	35.10	34.20
29	28.00	30.15	36.10	35.20
30	29.00	31.15	37.10	36.20
31	30.00	32.15	38.10	37.20
32	31.00	33.15	39.10	38.20
33	32.00	34.15	40.10	39.20
34	33.00	35.15	41.10	40.20
35	34.00	36.15	42.10	41.20
36	35.00	37.15	43.10	42.20

UNITS
mm

MAT'L

FINISH

Q'TY



PART NO. (INTENDED USE): 1.0K-FX-nPWB
 TITLE: 1.0mm FPC (E型) 半包下接 (H=2.5)

APPD:
 CHKD:
 DWG NO.: 100K13-EXB0000000

DR: HU 2016.09.25
 SCALE: 1/1
 SHEET: 1/1
 REV: A

X ± 0.3	X° ± 5°
.X ± 0.25	.X° ± 2°
.XX ± 0.20	.XX° ± 1°
.XXX ± 0.10	.XXX° ± 0.5°