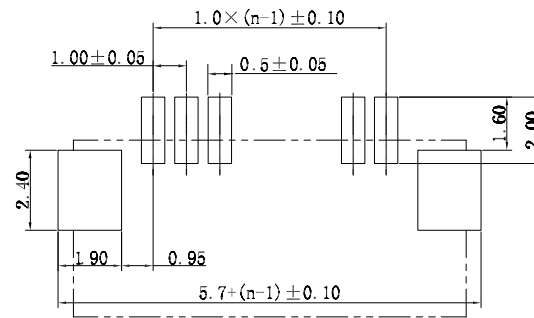
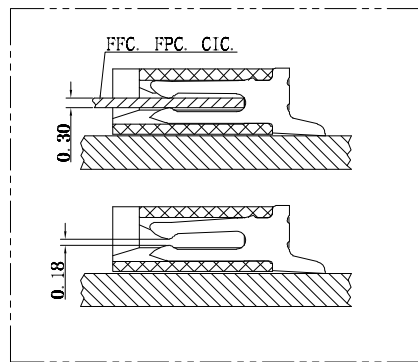


NO. of Contacts (n)	Dimensions		
	A	B	C
004	3.0	5.07	7.8
005	4.0	6.07	8.8
006	5.0	7.07	9.8
007	6.0	8.07	10.8
008	7.0	9.07	11.8
009	8.0	10.07	12.8
010	9.0	11.07	13.8
011	10.0	12.07	14.8
012	11.0	13.07	15.8
013	12.0	14.07	16.8
014	13.0	15.07	17.8
015	14.0	16.07	18.8
016	15.0	17.07	19.8
017	16.0	18.07	20.8
018	17.0	19.07	21.8
019	18.0	20.07	22.8
020	19.0	21.07	23.8
021	20.0	22.07	24.8
022	21.0	23.07	25.8
023	22.0	24.07	26.8
024	23.0	25.07	27.8
025	24.0	26.07	28.8
026	25.0	27.07	29.8
027	26.0	28.07	30.8
028	27.0	29.07	31.8
029	28.0	30.07	32.8
030	29.0	31.07	33.8
031	30.0	32.07	34.8
032	31.0	33.07	35.8



PC BOARD LAYOUT

Electrical

Voltage: 50 V AC(rms)/DC


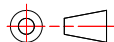
Current: 1A AC(rms)/DC

Contact Resistance: 40 mΩ max(initial)

Dielectric Withstanding Voltage: 200 V AC/rms

Insulation Resistance: 800 MΩ min

Operating Temp: -40°C ~ +85°C

UNITS	 votre partenaire en électronique								
mm	PART NO.(INTENDED USE)		TITLE:						
MAT'L	1.0-CB-nPWB		1.0双面接卧贴带焊片 (H2.0)						
FINISH	APPD:		DWG NO.:						
Q'TY	CHKD:		1.0-CB-nPWB						
PCS	DR: HU 2016.09.28		 <table border="1"> <tr> <th>SCALE</th> <th>SHEET</th> <th>REV.</th> </tr> <tr> <td>1/1</td> <td>1/1</td> <td>A</td> </tr> </table>	SCALE	SHEET	REV.	1/1	1/1	A
SCALE	SHEET	REV.							
1/1	1/1	A							

X.± 0.3	X°± 5°
.X± 0.25	.X°± 2°
.XX± 0.20	.XX°± 1°
.XXX± 0.10	.XXX°± 0.5°