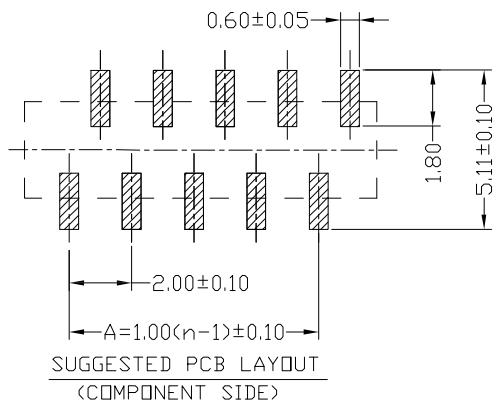


Accommodated FFC



SPECIFICATION

- Contact resistance: $\leq 30m\Omega$
- Insulation resistance: $\geq 500M\Omega$
- Rated voltage: 50 V AC DC
- Rated current: 0.5 A AC DC
- Withstand Voltage: 500V AC/minute
- Temperature Range: $-25^{\circ}C \sim +85^{\circ}C$

Circuits	Dimensions(mm)		
	DIM. A	DIM. B	DIM. C
04	3.00	5.10	7.10
05	4.00	6.10	8.10
06	5.00	7.10	9.10
07	6.00	8.10	10.10
08	7.00	9.10	11.10
09	8.00	10.10	12.10
10	9.00	11.10	13.10
11	10.00	12.10	14.10
12	11.00	13.10	15.10
13	12.00	14.10	16.10
14	13.00	15.10	17.10
15	14.00	16.10	18.10
16	15.00	17.10	19.10
17	16.00	18.10	20.10
18	17.00	19.10	21.10
19	18.00	20.10	22.10
20	19.00	21.10	23.10
21	20.00	22.10	24.10
22	21.00	23.10	25.10
23	22.00	24.10	26.10
24	23.00	25.10	27.10
25	24.00	26.10	28.10
26	25.00	27.10	29.10
27	26.00	28.10	30.10
28	27.00	29.10	31.10
29	28.00	30.10	32.10
30	29.00	31.10	33.10

NO.	DESCRIPTION	QTY	MATERIAL	PLATING/COLOR
C	Contacts	2~15	Phosphor Bronze	Tin-plated
B	Contacts	2~15	Phosphor Bronze	Tin-plated
A	Insulator	1	LCP (UL94V-0)	Nature

UNITS			
mm			
MAT'L	PART NO.(INTENDED USE)		TITLE:
FINISH	1.0-A-nPLT		1.0单面接无锁立贴
APPD:	CHKD:		DWG NO.:
Q'TY	DR: HU 2016.09.28		1.0-A-nPLT
PCS			SCALE SHEET REV.
			1/1 1/1 A

X.± 0.3	X°± 5'
.X± 0.25	.X°± 2'
.XX± 0.20	.XX°± 1'
.XXX± 0.10	.XXX°± 0.5'