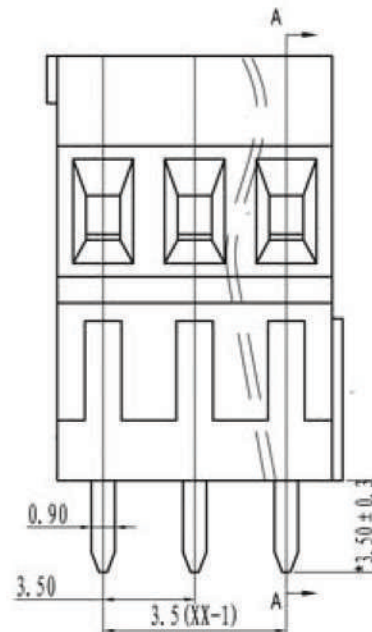
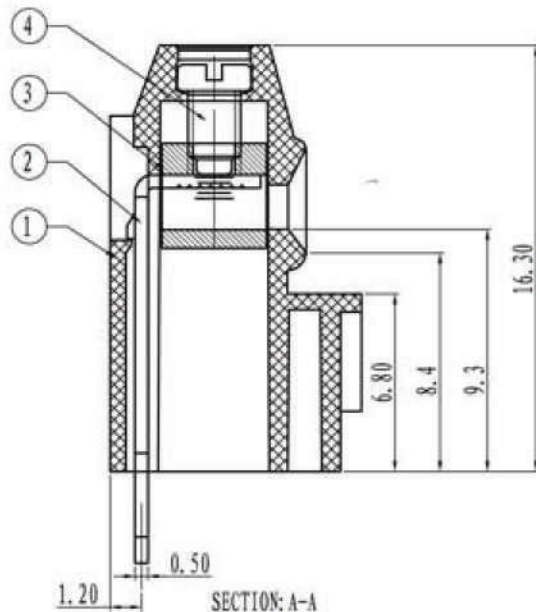
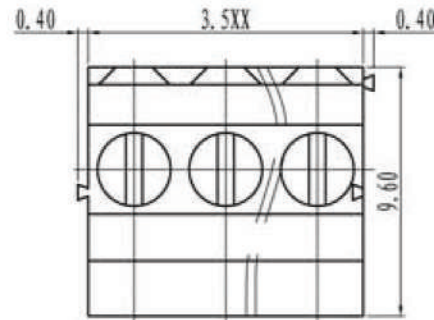
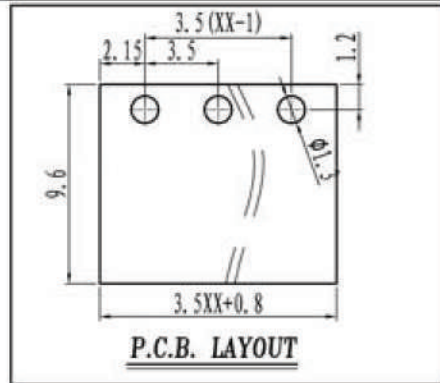




CÉLION

product specification



Approvals

UL-cUL 14-30 AWG ; 15A 300V
VDE Not approved

Electrical

Standard: UL-IEC
Rated voltage: 300V-250V
Rated current: 10A-10A
Wire range: 30-16AWG-1.5mm²
Withstanding voltage: AC2000V/1Min

Mechanical

Torque: 0.2Nm (1.7Lb'in)
Temp.Range: -40°C~+105°C
Strip length: 5-6mm

Dimensions

Pitch: 3.50mm (0.138"), 3.81mm (0.150")
Poles: 2p-xxp

Material

Housing: PA66, UL94V-0
Screws: M2, steel, Zinc plated
Pin header: Brass, Tin plated
Wire guard: Brass, Ni plated

General description of ordering code

Version/Version

Data/Date

2014-1-

11/04/2014

Series	n. poles	pitch	version	color	custom
MRH31	2+24	3.5/3.81	V		

	linear dimension				fillet	chamfer	∠ short angle sid				≡	-	□	//	⊥		
variable range	to 6	over 6 to 30	over 30 to 120	over 120 to 480	all to	over 6 to 6	to 10	over 10 to 50	over 50 to 120	over 120 to 10'	all to 0.5	over 5 to 0.025	over 30 to 0.06	over 120 to 0.12	over 120 to 0.4		
tolerance	±0.1	±0.2	±0.3	±0.5	±0.9	±0.2	±0.5	±1	1'	30'	20'	10'	0.5	0.025	0.06	0.12	0.4

UNITS: mm SIZE: A4

FIRST ANGLE PROJECTION



CELION SAS - GRIGNY (FRANCE)

MRH31-V