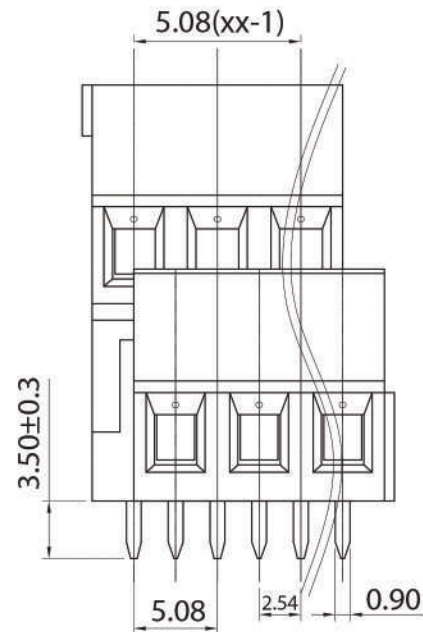
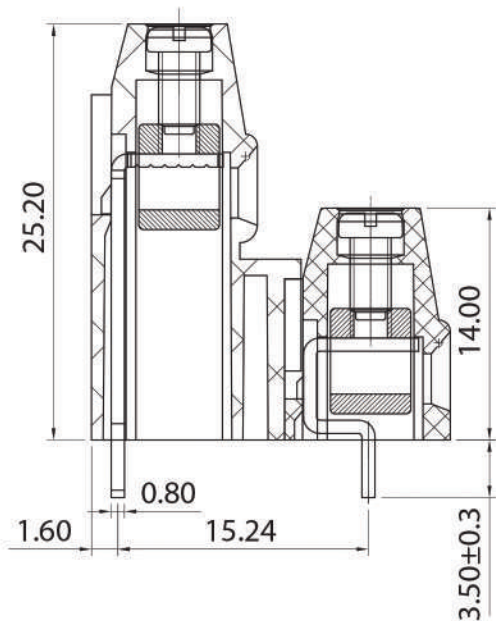
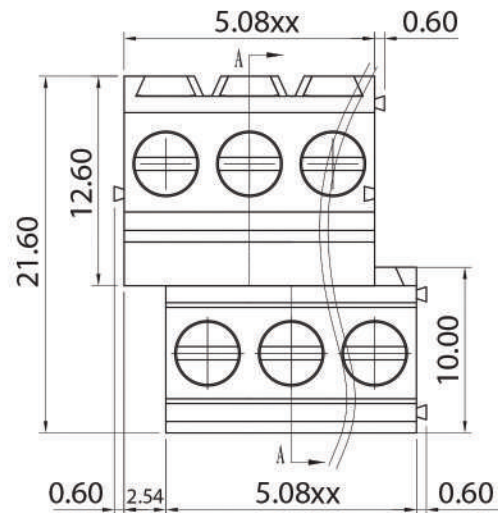


p.c.b. layout



**Approvals**



15A-300V

**Electrical**

Rated voltage 250V  
 Rated current 24A  
 Contact resistance 20mΩ  
 Insulation resistance 500MΩ/DC500V  
 Withstanding voltage AC 2000V/1 min  
 Wire range 30-14 AWG 2,5 mm<sup>2</sup>

Torque 0,4Nm(3.6 Lb in)  
 Temp. Range -40°C + 105°C  
 Stripping lenght 6 mm  
 Max sold. time +250°C for 5 sec

**Dimensions**

Pitch 5.08 mm  
 Poles 2+2 ÷ 24+24

**Material**

Housing PA66 UL94V0  
 Pin Copper Alloy, Sn plated  
 Cage Copper Alloy, Ni plated  
 Screws M2,5 Steel, Zn plated  
 Side Block  
 Nut screw  
 Clamp

**General description of ordering code**

Series	n. Poles	Pitch	Version	Color	Custom
MRD52	2÷24	-5.08	-L		

**Version Date**

01/21 08/06/2021



UNITS: mm

SHEET SIZE: ISO A4

SCALE: 10:1

> 0 ~ 3

> 3 ~ 18

> 18 ~ 50

> 50 ~ 120

± 0.12

± 0.15

± 0.3

± 0.5



**MRD52-5.08-L**