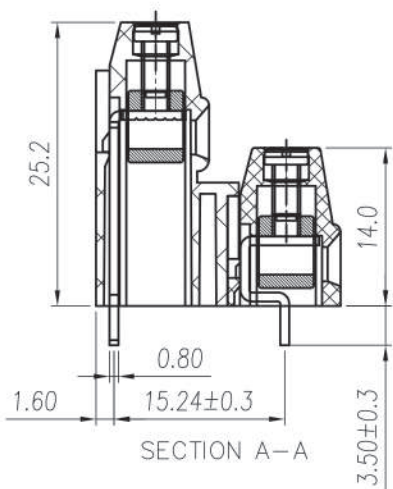
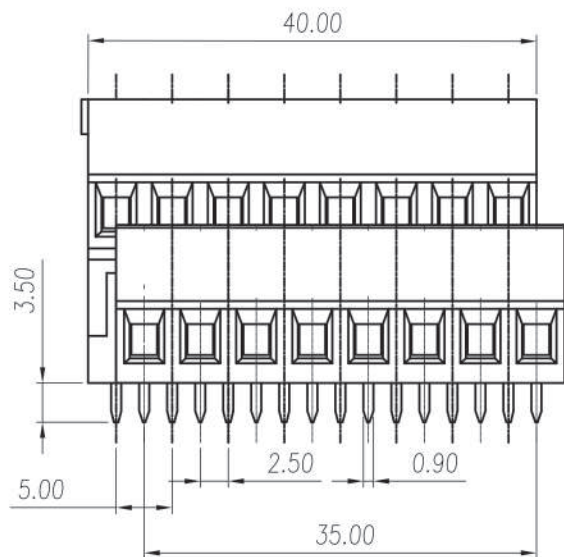
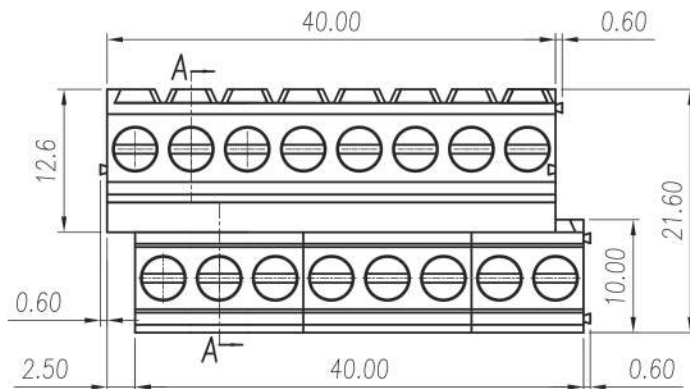


P.C.B. LAYOUT



SECTION A-A



Approvals



15A-300V
not approved

Electrical

Rated voltage 250V
Rated current 24A
Contact resistance 20mΩ
Insulation resistance 500MΩ/DC500V
Withstanding voltage AC 2000V/1 min
Wire range 30-14 AWG 2,5 mm²

Torque 0,4Nm(3.6 Lb in)
Temp. Range -40°C + 105°C
Stripping length 6 mm
Max sold. time +250°C for 5 sec

Dimensions

Pitch 5 mm
Poles 2+2 ÷ 24+24

Material

Housing PA66 UL94V0
Pin Copper Alloy, Sn plated
Cage Copper Alloy, Ni plated
Screws M2,5 Steel, Zn plated
Side Block
Nut screw
Clamp

General description of ordering code

Series	n. Poles	Pitch	Version	Color	Custom
MRD52	2÷24	-5	-L		

Version Date

01/17 19/07/17