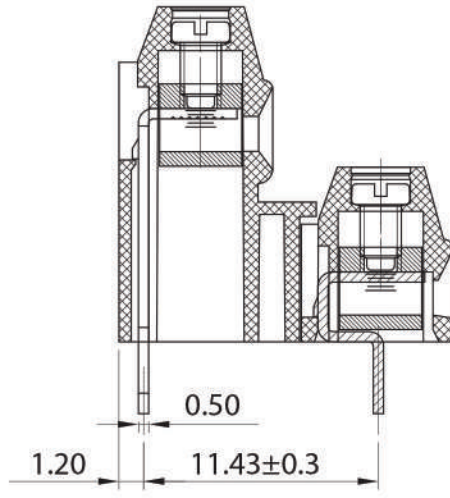
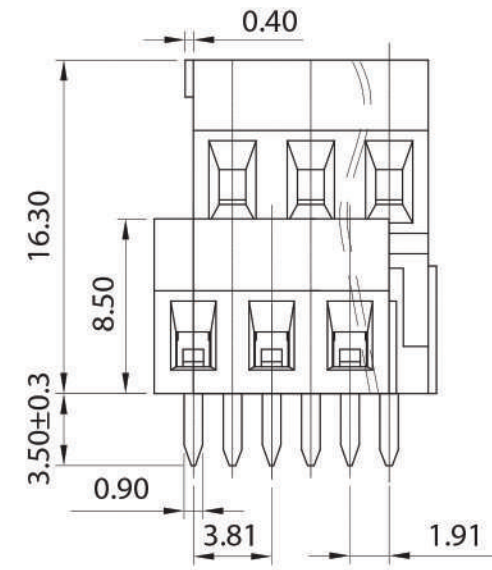
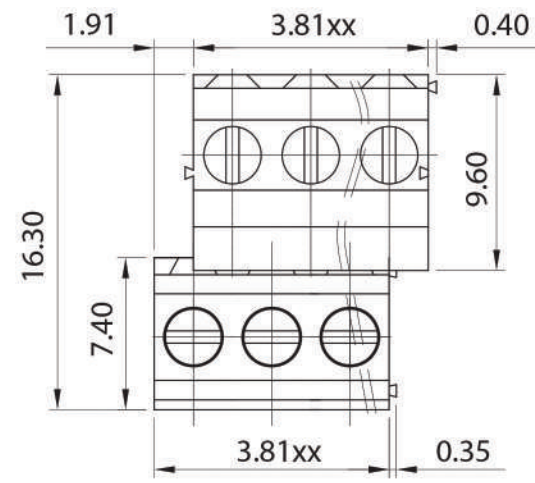


p.c.b. layout



section: A-A



Approvals



15A-300V
13,5A-160V

Electrical

Rated voltage 250V
Rated current 15A
Contact resistance 20mΩ
Insulation resistance 500MΩ/DC500V
Withstanding voltage AC 1600V/1 min
Wire range 28÷16 AWG 1 mm²

Torque 0,2Nm(1.8Lb in)
Temp. Range -40°C+105°C
Stripping lenght 6mm
Max sold. time +250°C for 5 sec.

Dimensions

Pitch 3,81 mm
Poles 2+2÷24+24

Material

Housing PA66 UL94V0
Pin Copper Alloy, tin plated
Cage Copper Alloy, NI plated
Screws M2, Steel Zn plated
Side Block
Nut screw
Clamp

General description of ordering code

Series	n. Poles	Pitch	Version	Color	Custom
MRD31	2÷24	-3.81	-R		

Version Date

21/01 17/06/2021



UNITS: mm		SHEET SIZE: ISO A4		SCALE: 10:1	
> 0 ~ 3	> 3 ~ 18	> 18 ~ 50	> 50 ~ 120	First angle projection	
± 0.12	± 0.15	± 0.3	± 0.5	MRD31-3.81-R	